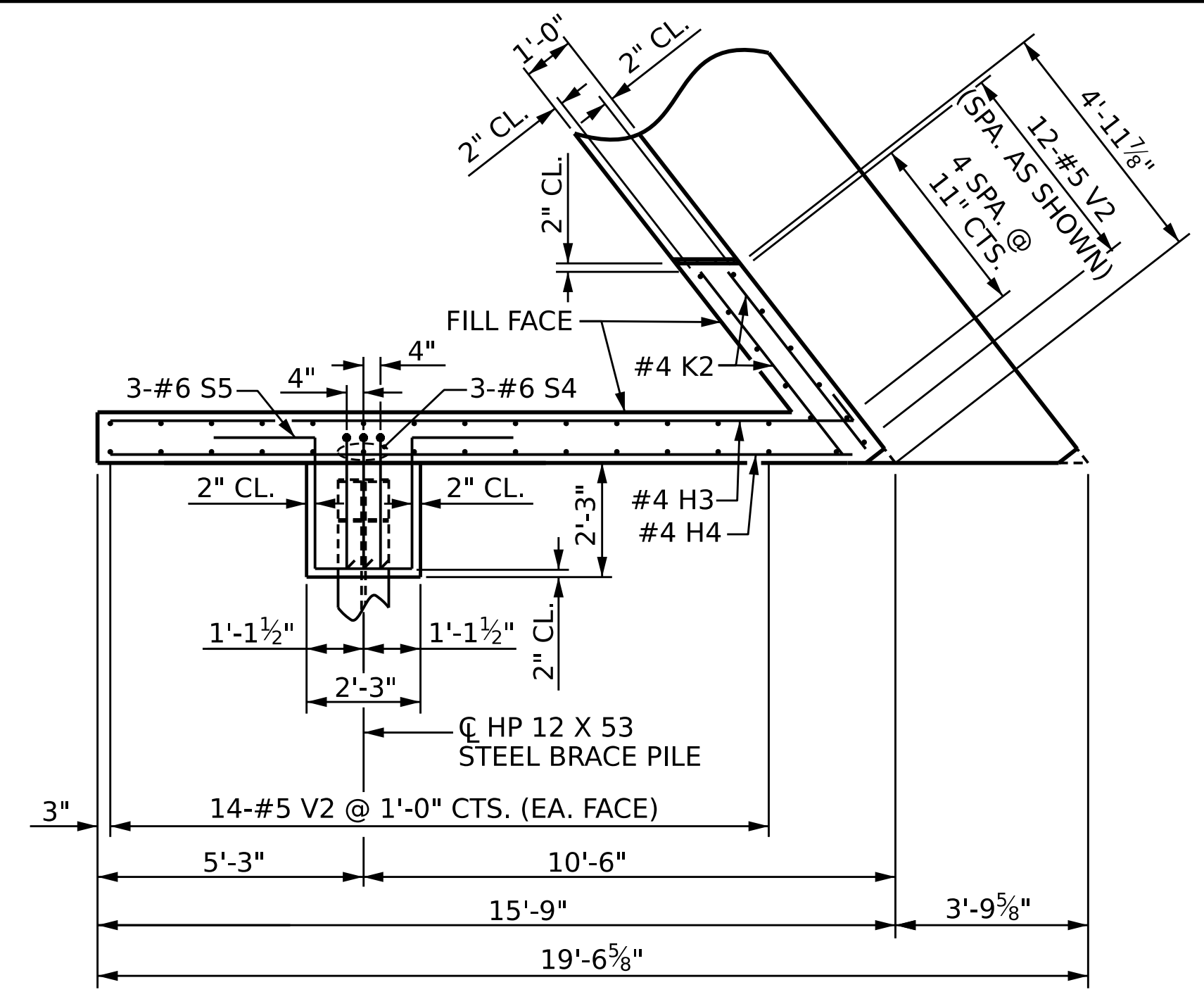
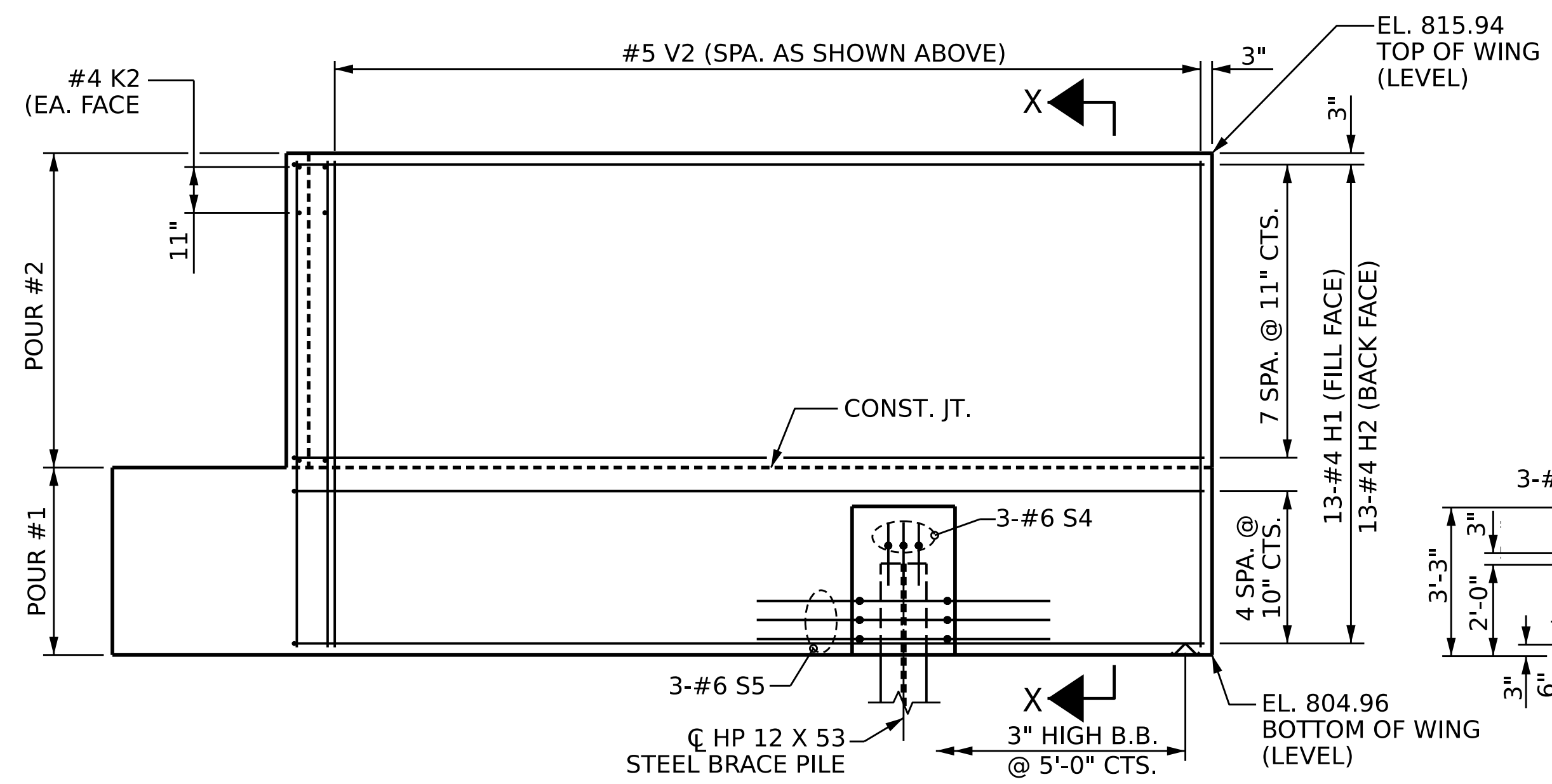


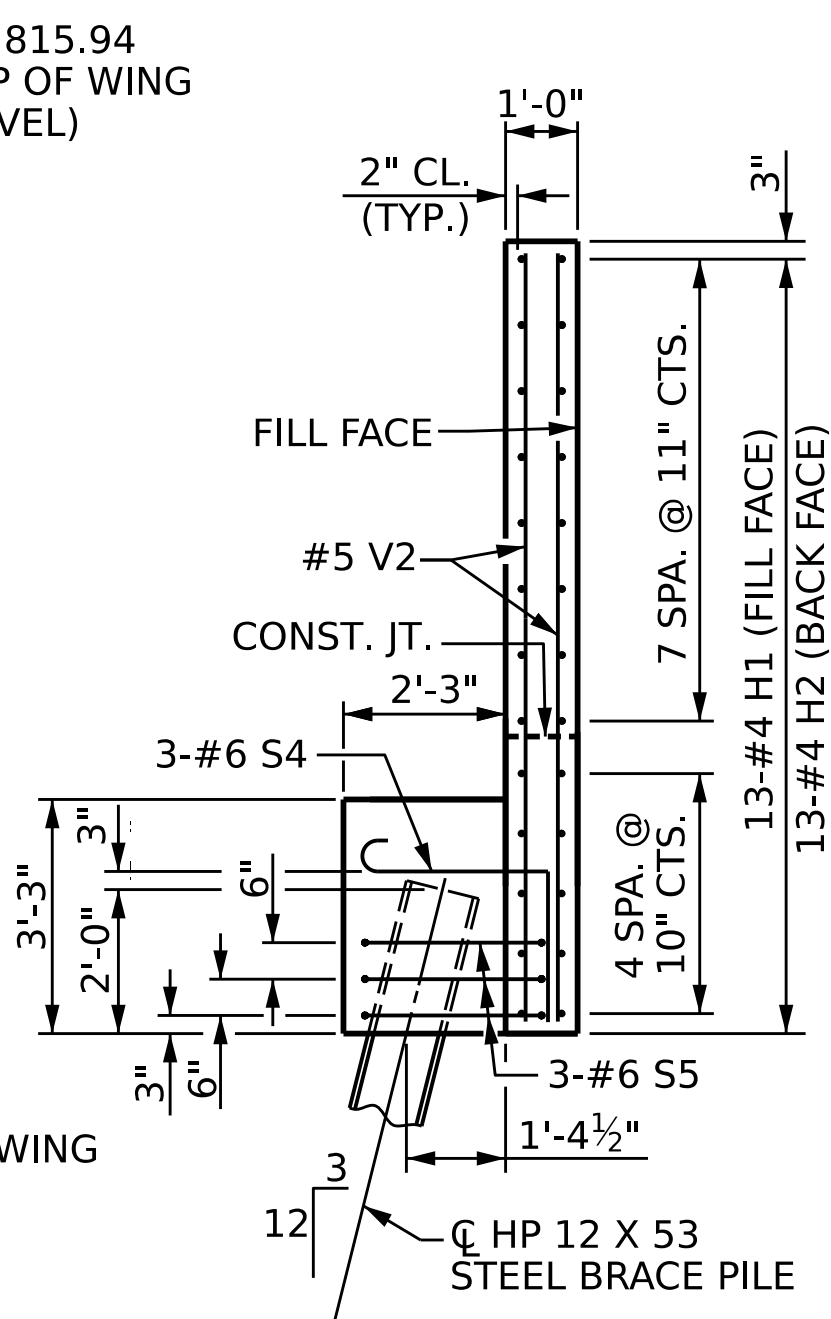
PLAN OF WING (W1)



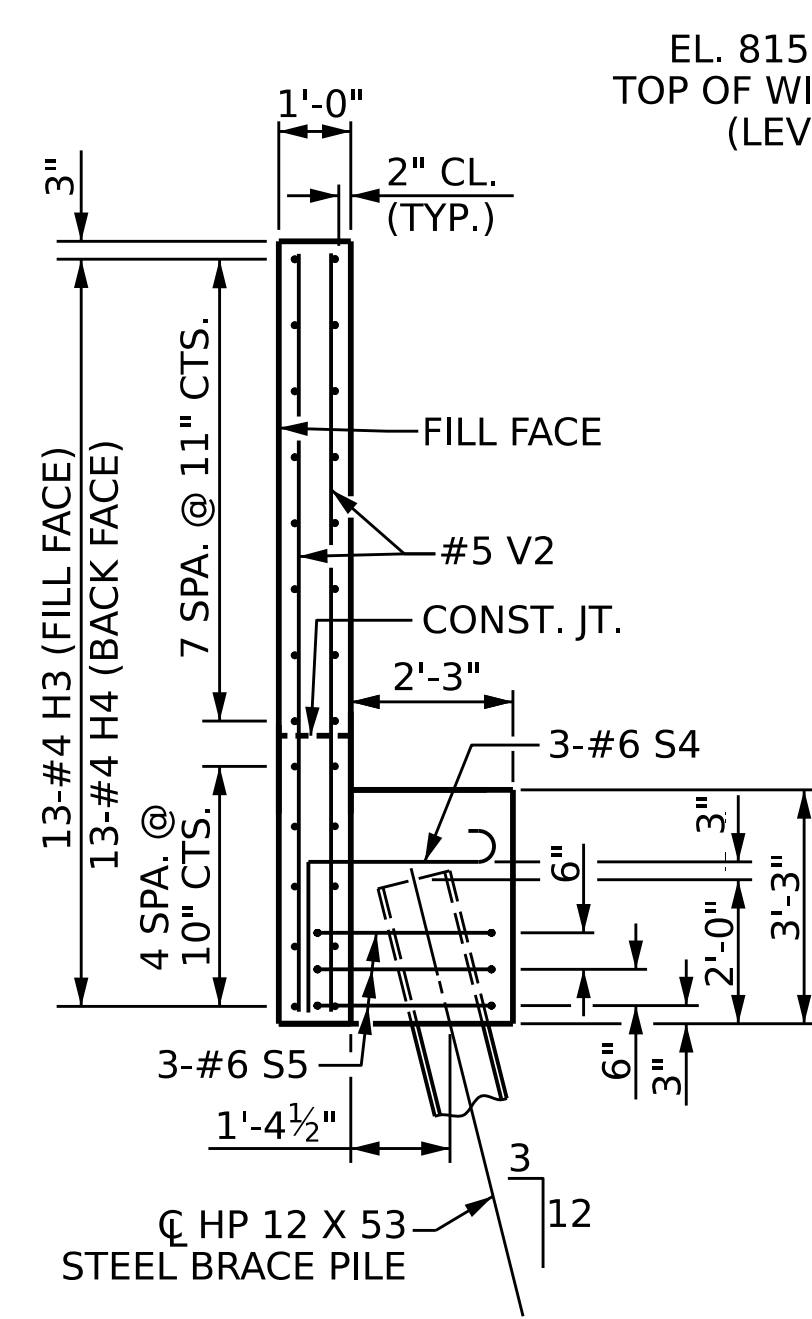
PLAN OF WING (W2)



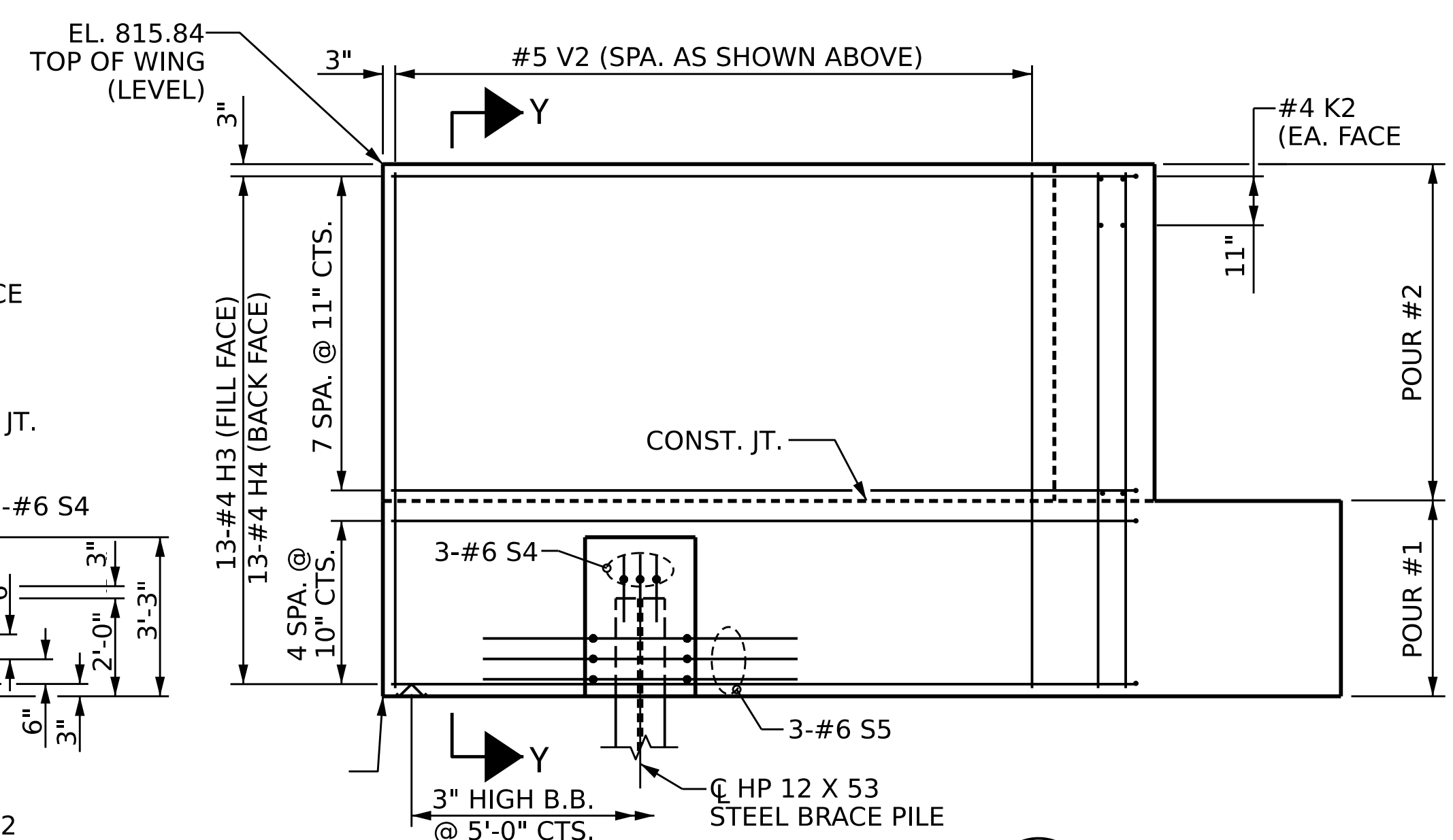
ELEVATION OF WING (W1)



SECTION X-X



SECTION Y-Y



ELEVATION OF WING (W2)

PROJECT NO. BR-0094
 ROCKINGHAM COUNTY
 STATION: 20+38.70 -L-

SHEET 2 OF 3

STATE OF NORTH CAROLINA
 DEPARTMENT OF TRANSPORTATION
 RALEIGH

SUBSTRUCTURE
 END BENT 1



DocuSigned by:
 Francesca Lea
 B79DADB65D584EF
 11/16/2022

DRAWN BY : Q. T. NGUYEN DATE : 08/2022
 CHECKED BY : F. LEA DATE : 09/2022
 DESIGN ENGINEER OF RECORD : F. LEA DATE : 09/2022

DOCUMENT NOT CONSIDERED
 FINAL UNLESS ALL
 SIGNATURES COMPLETED

| REVISIONS | | | | SHEET NO. |
|-----------|-----|-------|-----|-----------|
| NO. | BY: | DATE: | NO. | DATE: |
| 1 | | | 3 | |
| 2 | | | 4 | |

TOTAL SHEETS: 30