

NOTES

AT ALL FIXED POINTS OF SUPPORT, NUTS FOR ANCHOR BOLTS ARE TO BE TIGHTENED FINGER TIGHT AND THEN BACKED OFF 1/2 TURN. THE THREAD OF THE NUT AND BOLT SHALL THEN BE BURRED WITH A SHARP POINTED TOOL.

THE 2" Ø PIPE SLEEVE SHALL BE CUT FROM SCHEDULE 40 PVC PLASTIC PIPE. THE PVC PLASTIC PIPE SHALL MEET THE REQUIREMENTS OF ASTM D1785.

STEEL SOLE PLATES, ANCHOR BOLTS, NUTS, AND WASHERS SHALL BE GALVANIZED IN ACCORDANCE WITH THE STANDARD SPECIFICATIONS.

PRIOR TO WELDING, GRIND THE GALVANIZED SURFACE OF THE PORTION OF THE EMBEDDED PLATE AND SOLE PLATE THAT ARE TO BE WELDED. AFTER WELDING, DAMAGED GALVANIZED SURFACES SHALL BE REPAIRED IN ACCORDANCE WITH THE STANDARD SPECIFICATIONS.

WHEN WELDING THE SOLE PLATE TO THE EMBEDDED PLATE IN THE GIRDER, USE TEMPERATURE INDICATING WAX PENS, OR OTHER SUITABLE MEANS, TO ENSURE THAT THE TEMPERATURE OF THE SOLE PLATE DOES NOT EXCEED 300°F. TEMPERATURES ABOVE THIS MAY DAMAGE THE ELASTOMER.

SOLE PLATE "P", BOLTS, NUTS, WASHERS, AND PIPE SLEEVE SHALL BE INCLUDED IN THE PAY ITEM FOR PRESTRESSED CONCRETE GIRDERS.

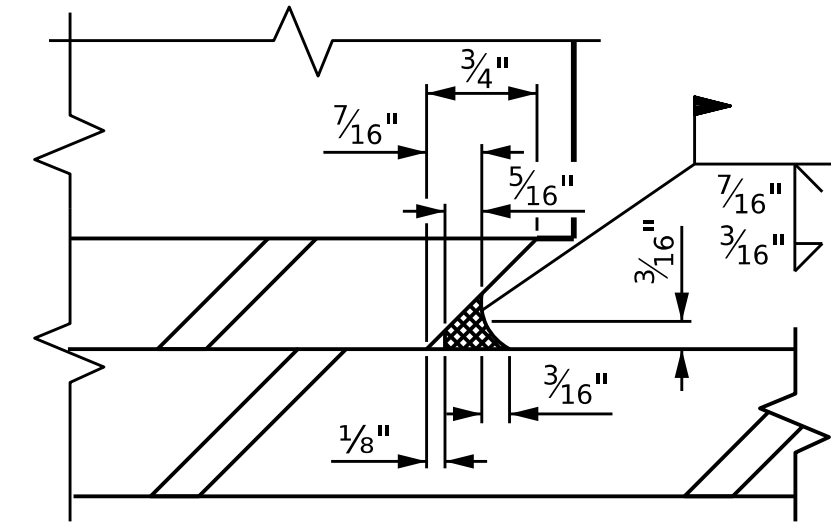
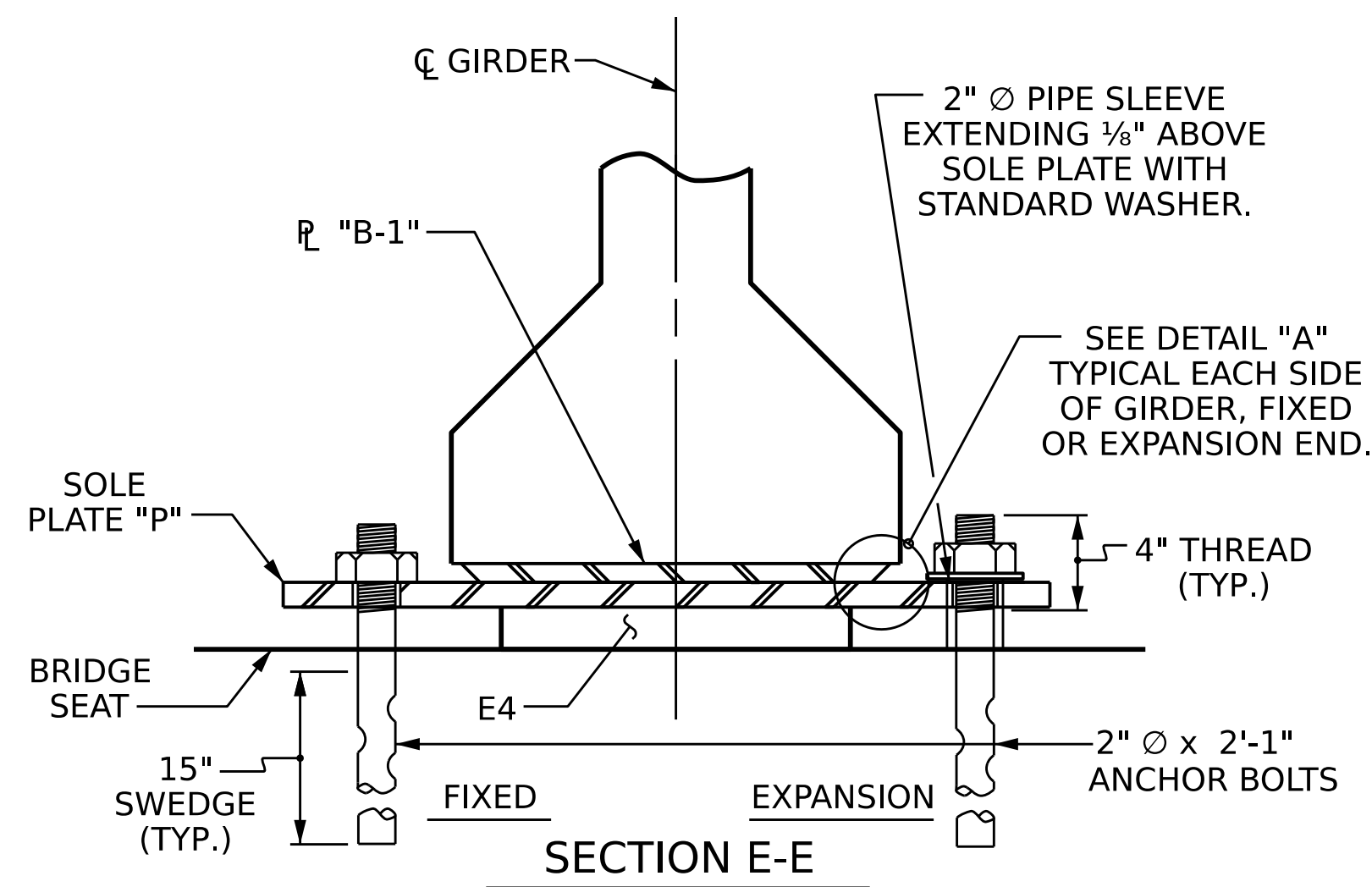
ANCHOR BOLTS SHALL MEET THE REQUIREMENTS OF ASTM A449. NUTS SHALL MEET THE REQUIREMENTS OF AASHTO M291-DH OR AASHTO M292-2H. WASHERS SHALL MEET THE REQUIREMENTS OF AASHTO M293. SHOP DRAWINGS ARE NOT REQUIRED FOR ANCHOR BOLT, NUTS AND WASHERS. SHOP INSPECTION IS REQUIRED.

ALL SURFACES OF BEARING PLATES SHALL BE SMOOTH AND STRAIGHT.

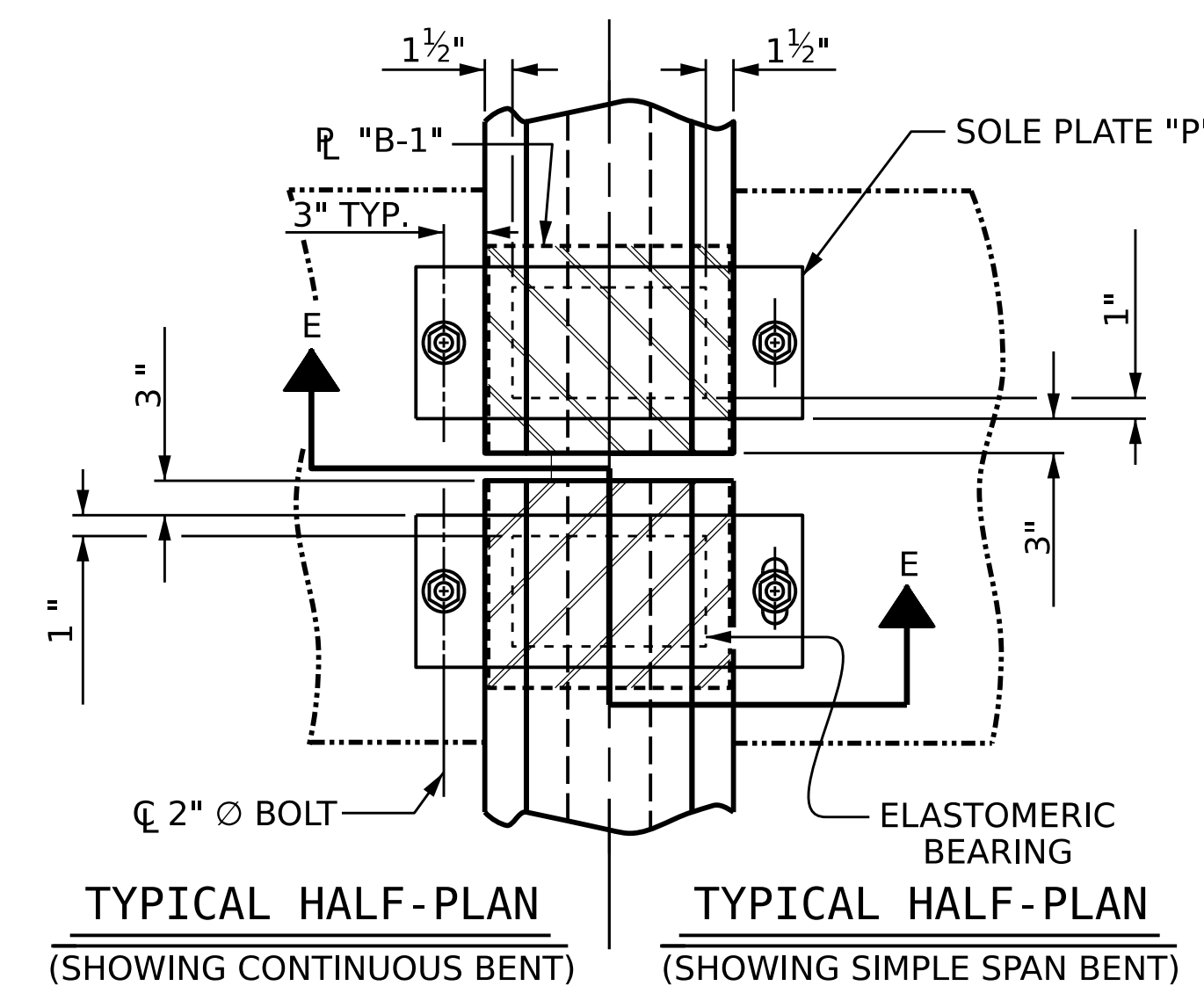
THE ELASTOMER IN THE STEEL REINFORCED BEARINGS SHALL HAVE A SHEAR MODULUS OF 0.160 KSI, IN ACCORDANCE WITH AASHTO M251.

FOR STEEL REINFORCED ELASTOMERIC BEARINGS, SEE SPECIAL PROVISIONS.

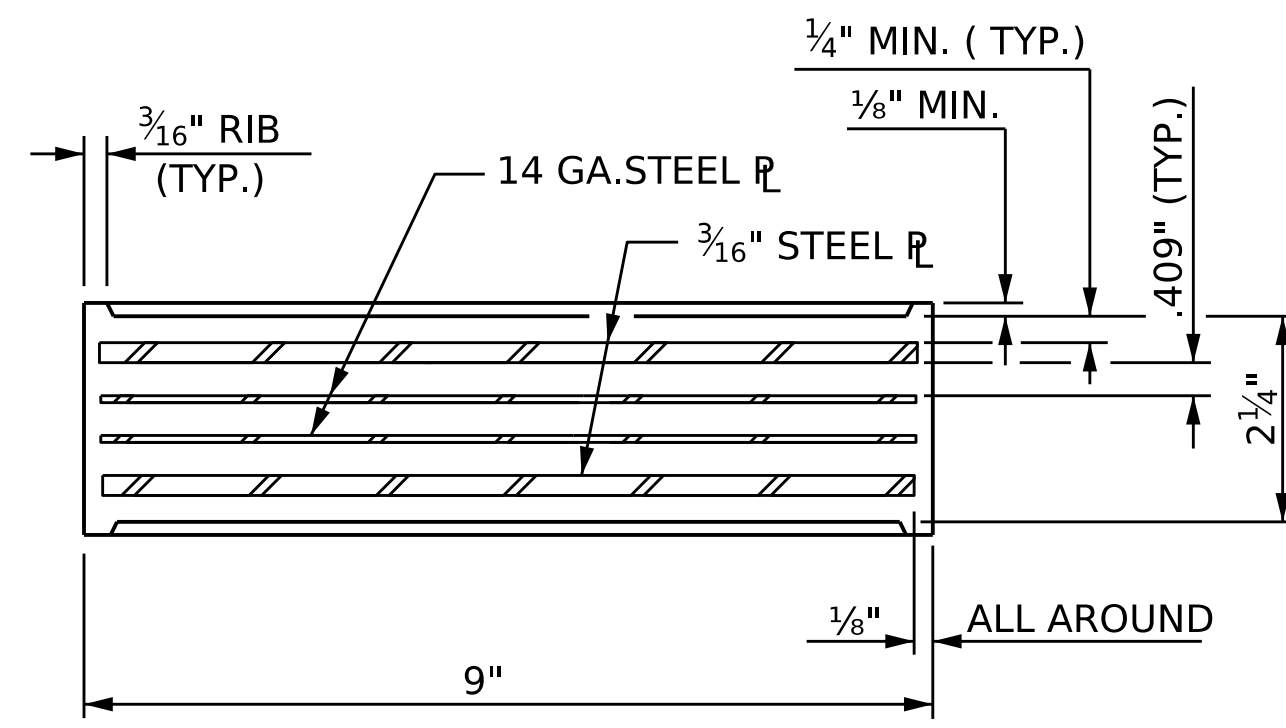
ALL SOLE PLATES SHALL BE AASHTO M270 GRADE 36.



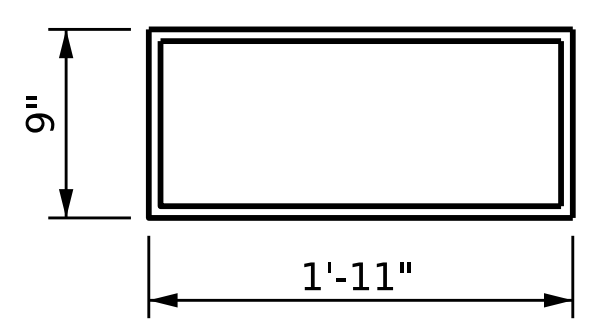
DETAIL "A"



TYPICAL HALF-PLAN (SHOWING CONTINUOUS BENT)
TYPICAL HALF-PLAN (SHOWING SIMPLE SPAN BENT)

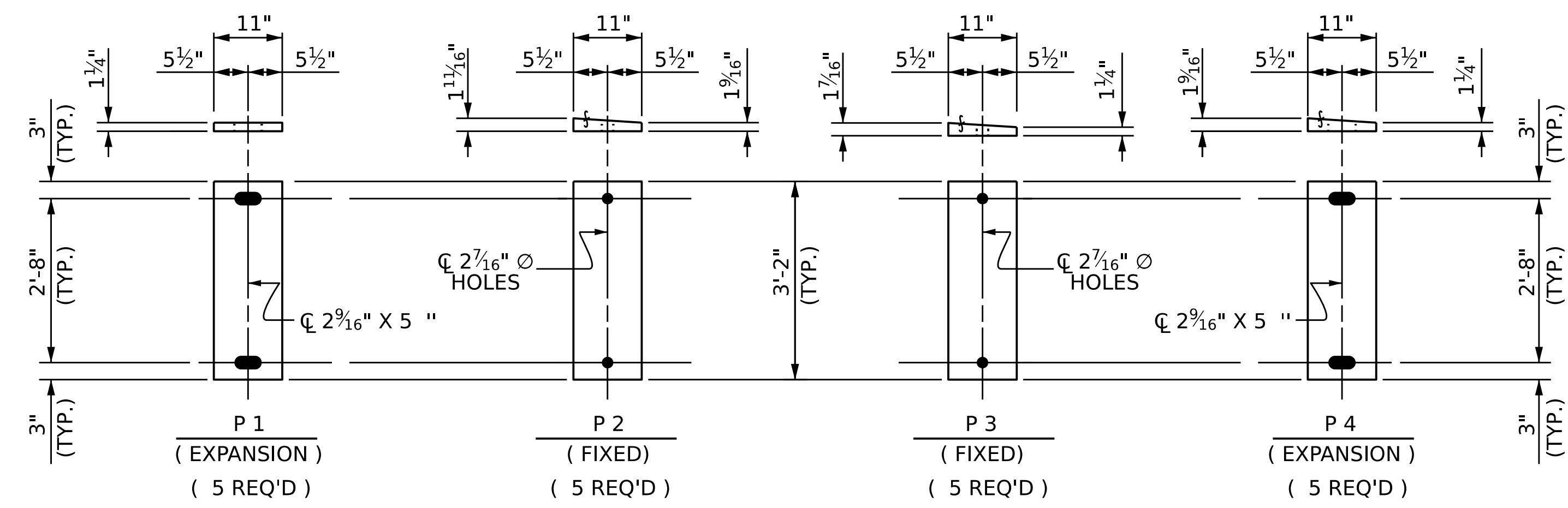


TYPICAL SECTION OF ELASTOMERIC BEARINGS



PLAN VIEW OF ELASTOMERIC BEARING TYPE V
E4 (20 REQ'D)

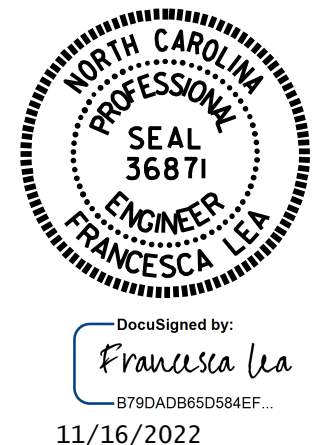
MAXIMUM ALLOWABLE SERVICE LOADS	
D.L.+L.L. (NO IMPACT)	
TYPE V	365 k



SOLE PLATE DETAILS ("P")

ASSEMBLED BY : Q. T. NGUYEN	DATE : 08/2022
CHECKED BY : F. LEA	DATE : 09/2022
DRAWN BY : WJH 8/89	REV. 1/15 MAA/TMC
CHECKED BY : CRK 8/89	REV. 12/17 MAA/THC
	REV. 10/21 BNB/AAI

11/7/2022
R:\Structures\Plans\401.027.BR0094.SMU.BG.S15.780069.dgn
tnguyen1



PROJECT NO. BR-0094
ROCKINGHAM COUNTY
STATION: 20+38.70 -L-

STATE OF NORTH CAROLINA
DEPARTMENT OF TRANSPORTATION
RALEIGH

**STANDARD
ELASTOMERIC BEARING
DETAILS**

PRESTRESSED CONCRETE GIRDER
SUPERSTRUCTURE

REVISIONS				SHEET NO.
NO.	BY:	DATE:	NO.	DATE:
1			3	
2			4	
DOCUMENT NOT CONSIDERED FINAL UNLESS ALL SIGNATURES COMPLETED				TOTAL SHEETS 30