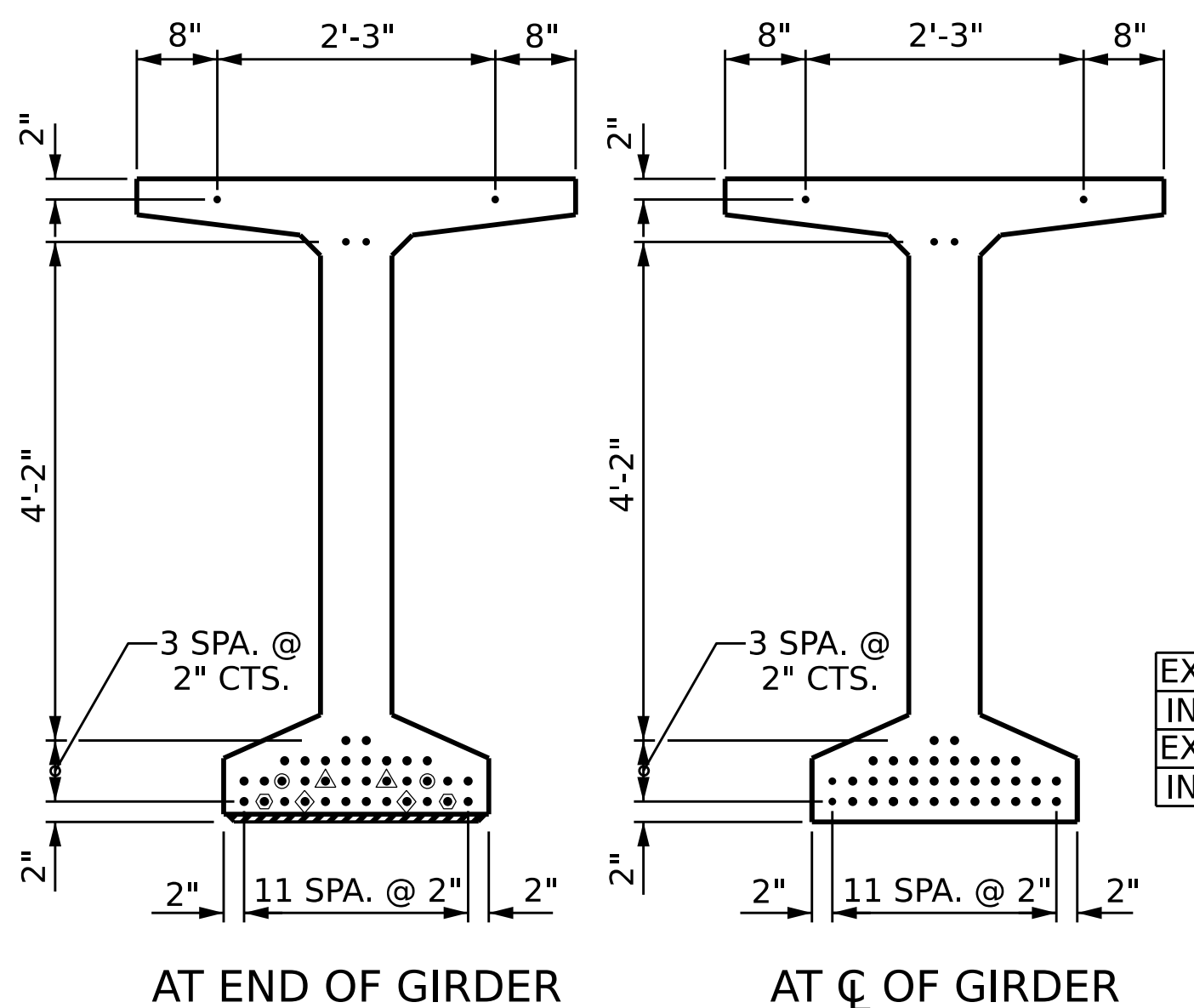


1 1/2" Ø FORMED HOLE. SEE ELEVATION FOR LOCATION. FOR DIM. "A", "B" & "C" SEE "INTERMEDIATE STEEL DIAPHRAGMS" SHEET.)

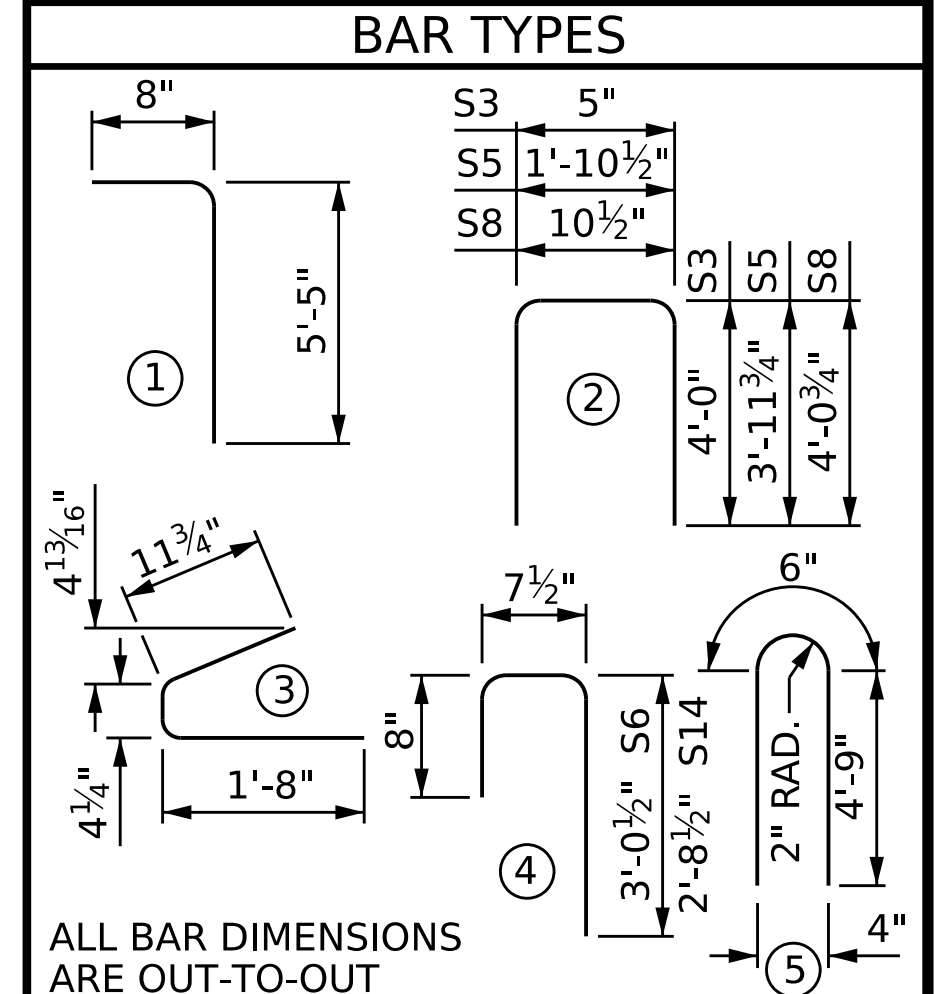
- DEBONDING LEGEND**
- FULLY BONDED STRANDS
 - STRANDS DEBONDED FOR 6'-0" FROM END OF GIRDER
 - STRANDS DEBONDED FOR 8'-0" FROM END OF GIRDER
 - STRANDS DEBONDED FOR 10'-0" FROM END OF GIRDER
 - STRANDS DEBONDED FOR 12'-0" FROM END OF GIRDER



0.6" Ø LOW RELAXATION STRAND LAYOUT

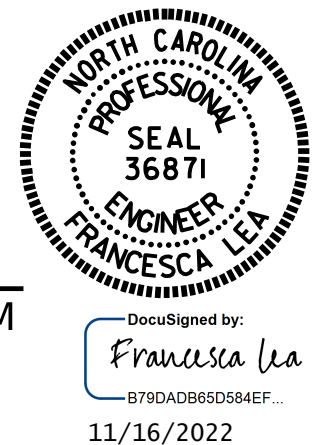
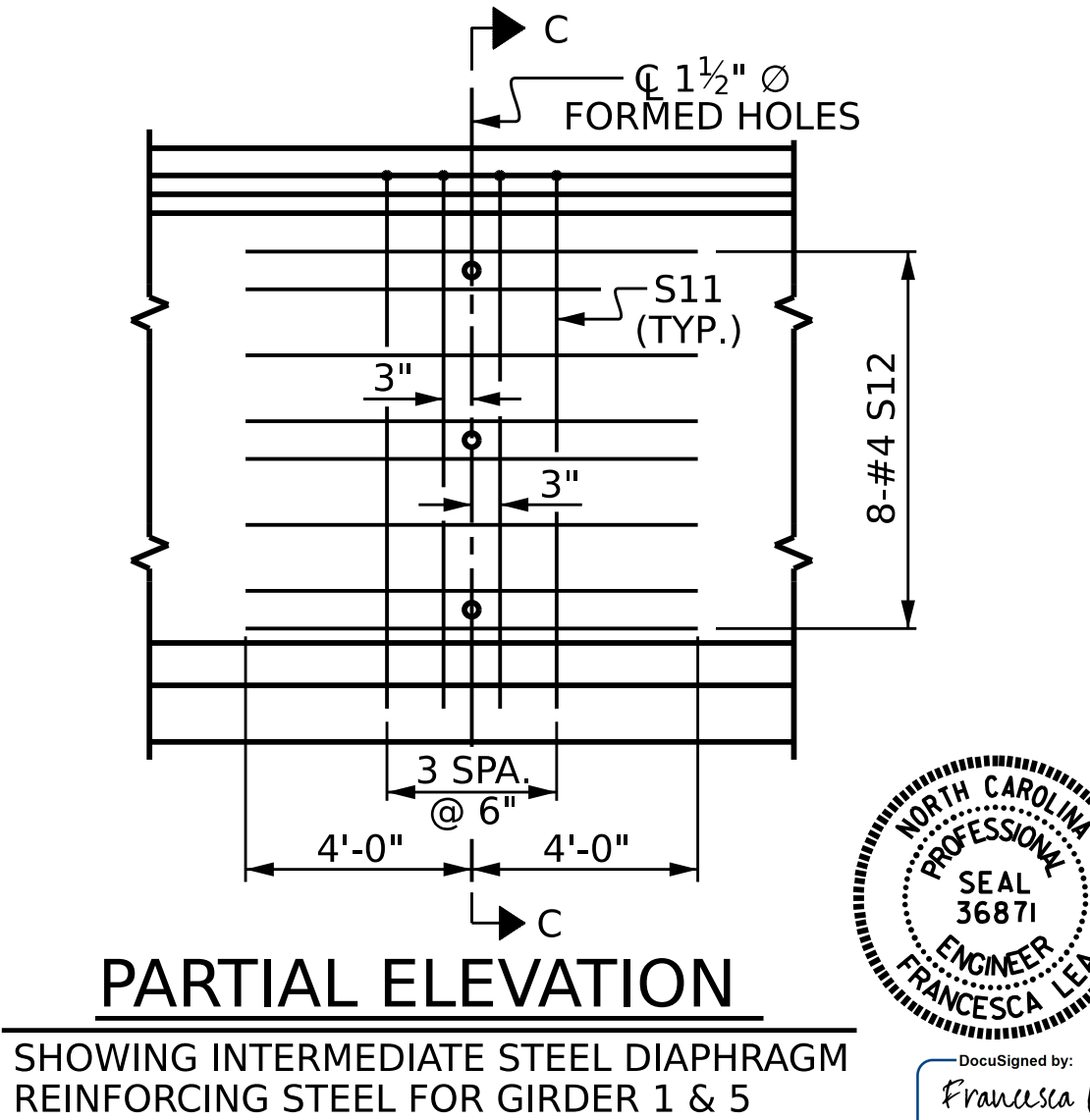
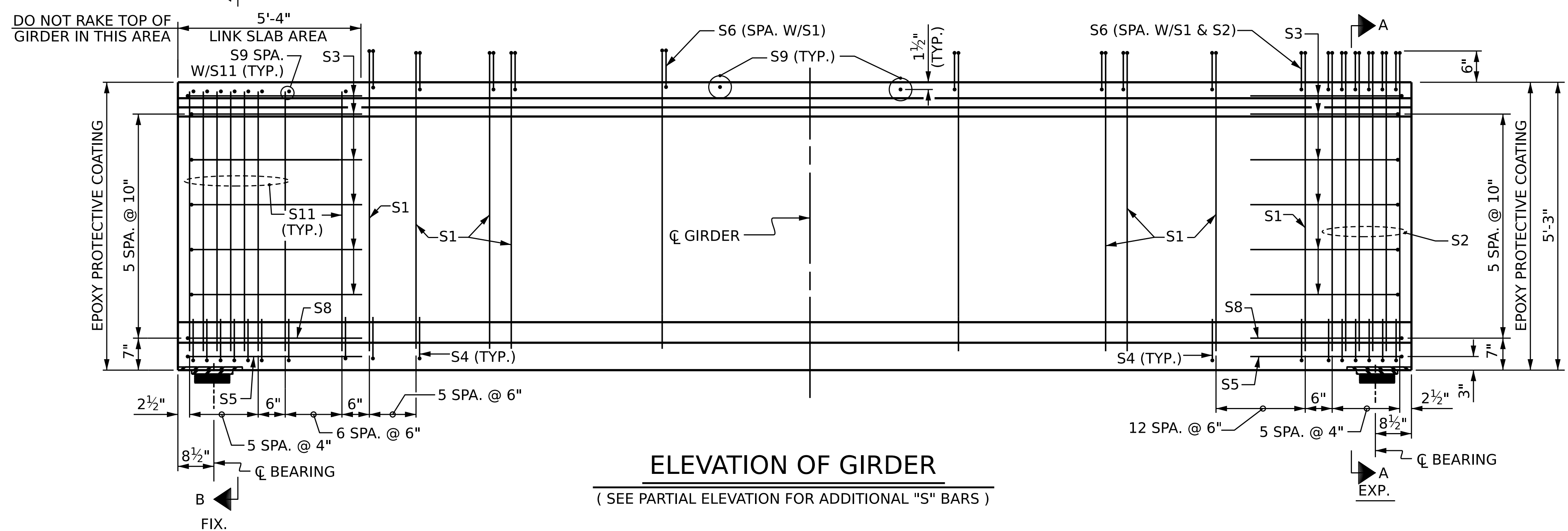
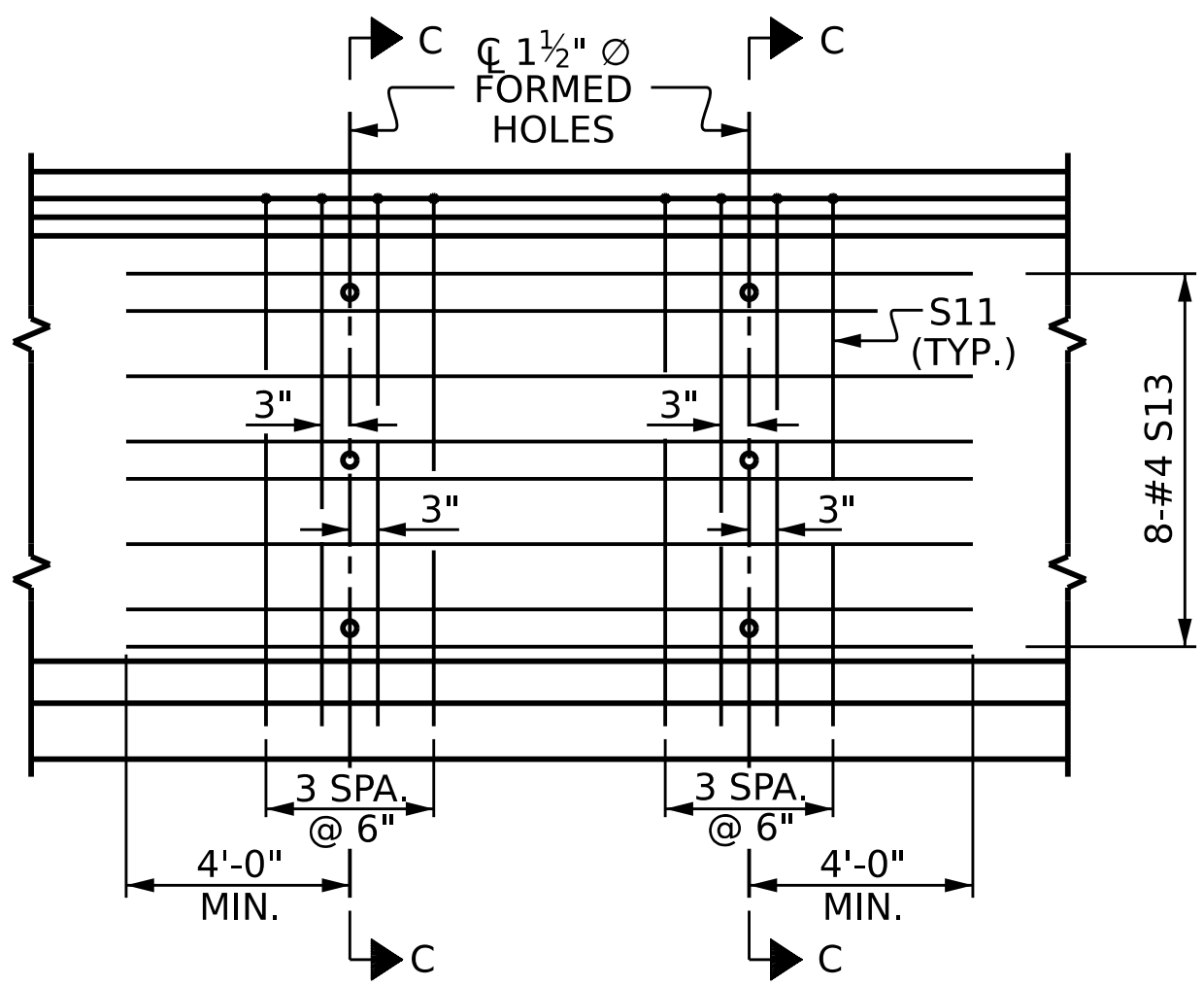
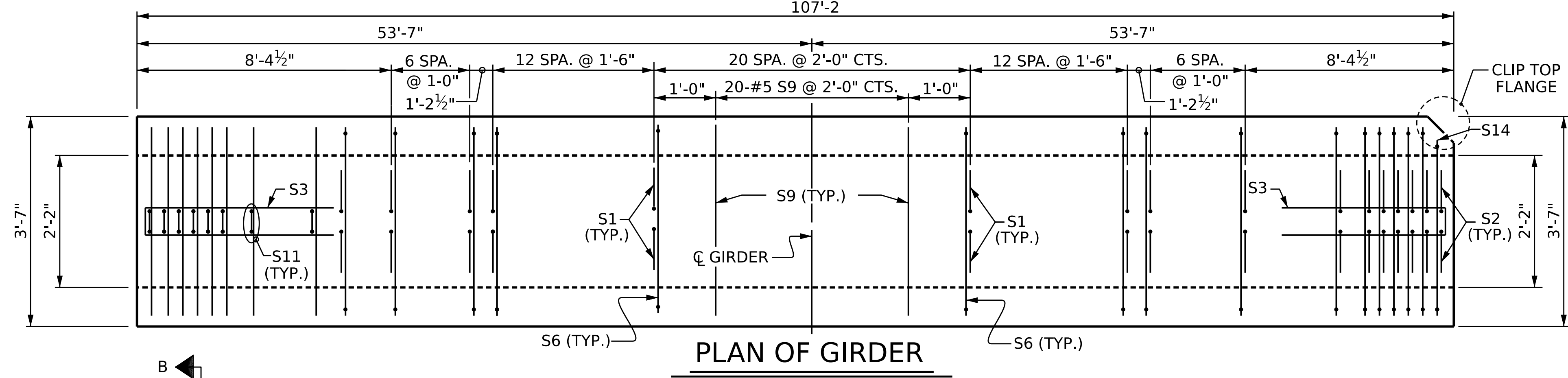
0.6" Ø L.R. GRADE 270 STRANDS		
AREA (SQUARE INCHES)	ULTIMATE STRENGTH (LBS. PER STRAND)	APPLIED PRESTRESS (LBS. PER STRAND)
0.217	58,600	43,950

REINFORCING STEEL FOR ONE GDR					
BAR NUMBER	SIZE	TYPE	LENGTH	WEIGHT	
S1	152	#4	1	6'-1"	618
S2	12	#5	1	6'-1"	76
S3	12	#4	2	8'-5"	67
S4	76	#4	3	3'-0"	152
S5	2	#5	2	9'-10"	21
S6	164	#5	4	4'-4"	741
S8	2	#5	2	9'-0"	19
S9	33	#5	STR	3'-3"	112
S11	21	#5	5	10'-0"	219
S11	29	#5	5	10'-0"	302
S12	16	#4	STR	8'-0"	86
S13	16	#4	STR	14'-10"	159
S14	2	#5	4	4'-0"	8



QUANTITIES FOR ONE GIRDER			
GIRDERS	REINFORCING STEEL	9000 PSI CONCRETE	0.6" Ø L.R. STRANDS
	LB.	C.Y.	No.
INTERIOR	2,275	21.2	38
EXTERIOR	2,119	21.2	38

GIRDERS REQUIRED		
NUMBER	LENGTH	TOTAL LENGTH
5	107'-2"	535.83



PROJECT NO. BR-0094
ROCKINGHAM COUNTY
STATION: 20+38.70 -L-

SHEET 2 OF 3
STATE OF NORTH CAROLINA
DEPARTMENT OF TRANSPORTATION
RALEIGH
STANDARD
63" PRESTRESSED CONCRETE
MODIFIED BULB TEE
LINK SLAB - SPAN B

ASSEMBLED BY: Q.T. NGUYEN DATE: 08/2022
CHECKED BY: F. LEA DATE: 09/2022
DRAWN BY: BNB 09/21
CHECKED BY: AAI 09/21

DOCUMENT NOT CONSIDERED FINAL UNLESS ALL SIGNATURES COMPLETED

REVISIONS				SHEET NO.
NO.	BY:	DATE:	NO.	DATE:
1			3	
2			4	

TOTAL SHEETS: 30