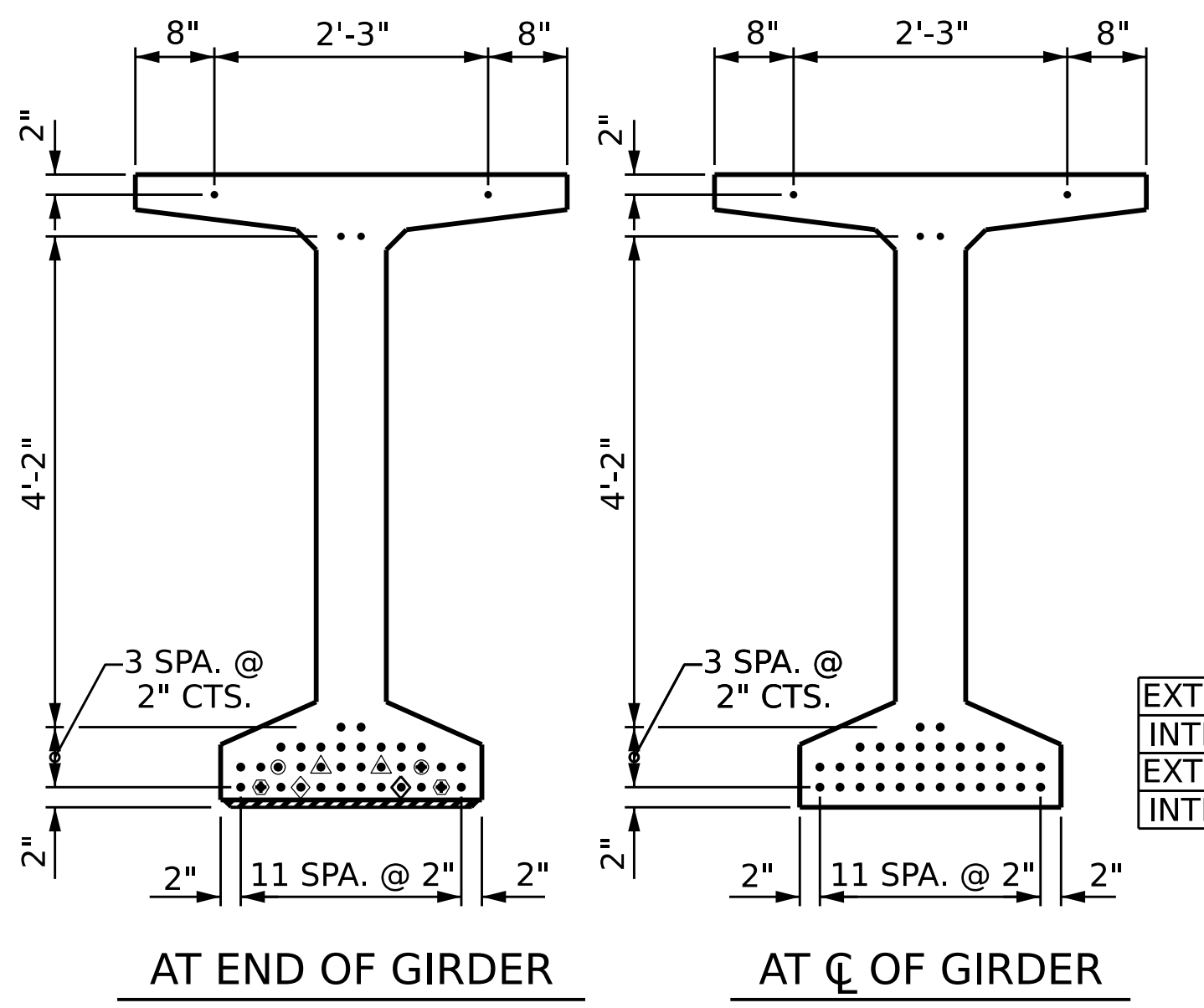
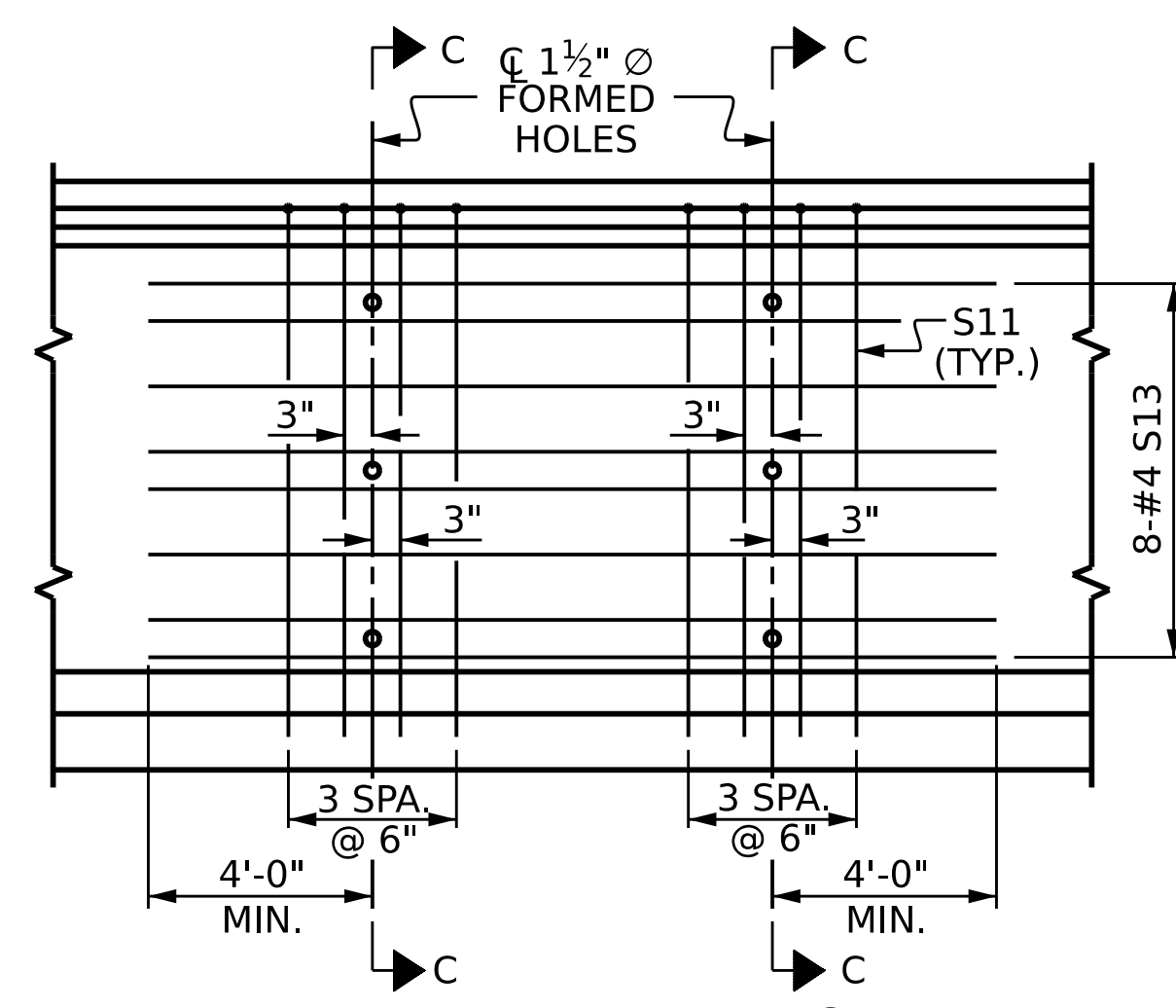
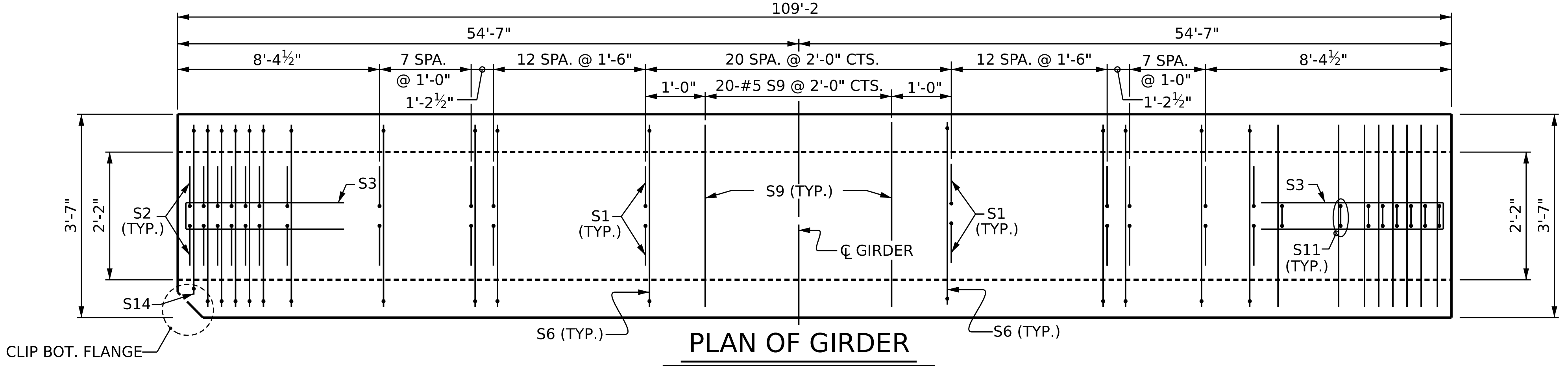
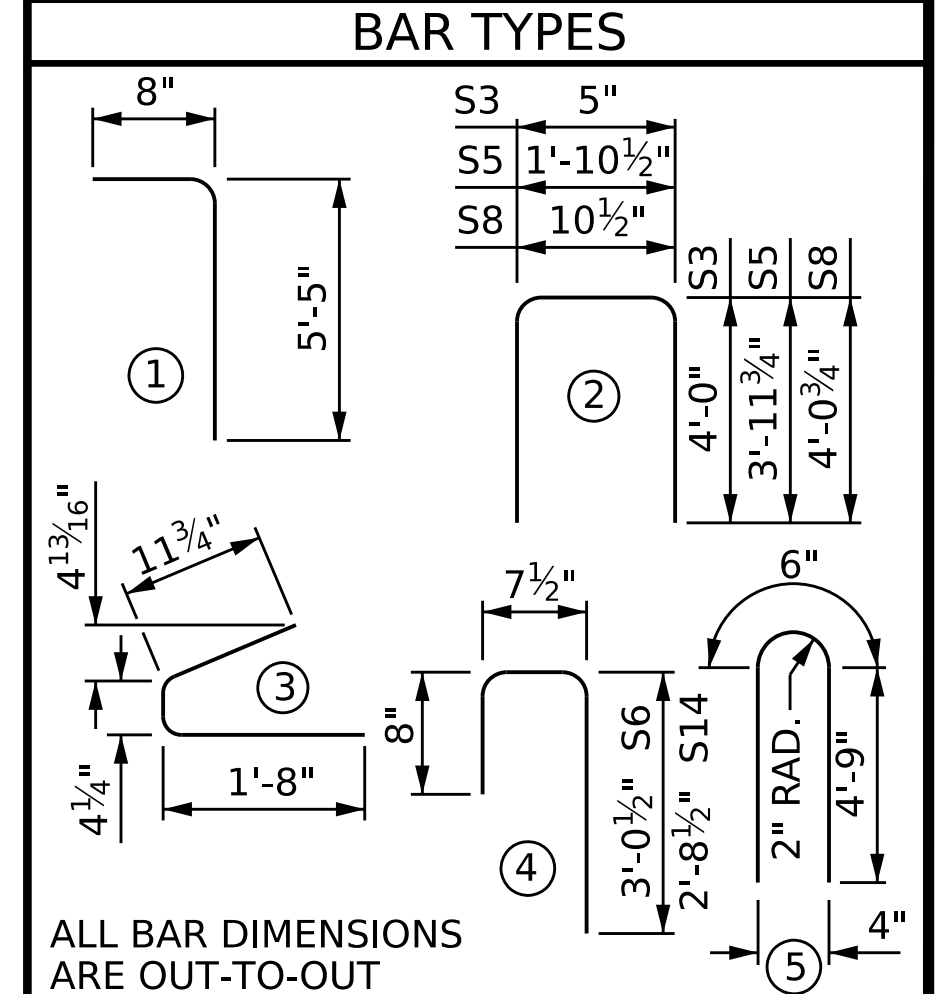


- CL  $1\frac{1}{2}$ "  $\varnothing$  FORMED HOLE. SEE ELEVATION FOR LOCATION. FOR DIM. "A", "B" & "C" SEE "INTERMEDIATE STEEL DIAPHRAGMS" SHEET.)
- DEBONDING LEGEND**
- FULLY BONDED STRANDS
  - STRANDS DEBONDED FOR 6'-0" FROM END OF GIRDER
  - STRANDS DEBONDED FOR 8'-0" FROM END OF GIRDER
  - STRANDS DEBONDED FOR 10'-0" FROM END OF GIRDER
  - STRANDS DEBONDED FOR 12'-0" FROM END OF GIRDER



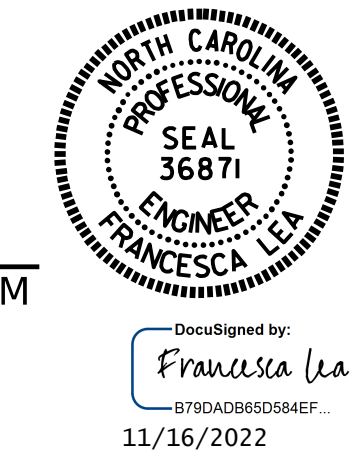
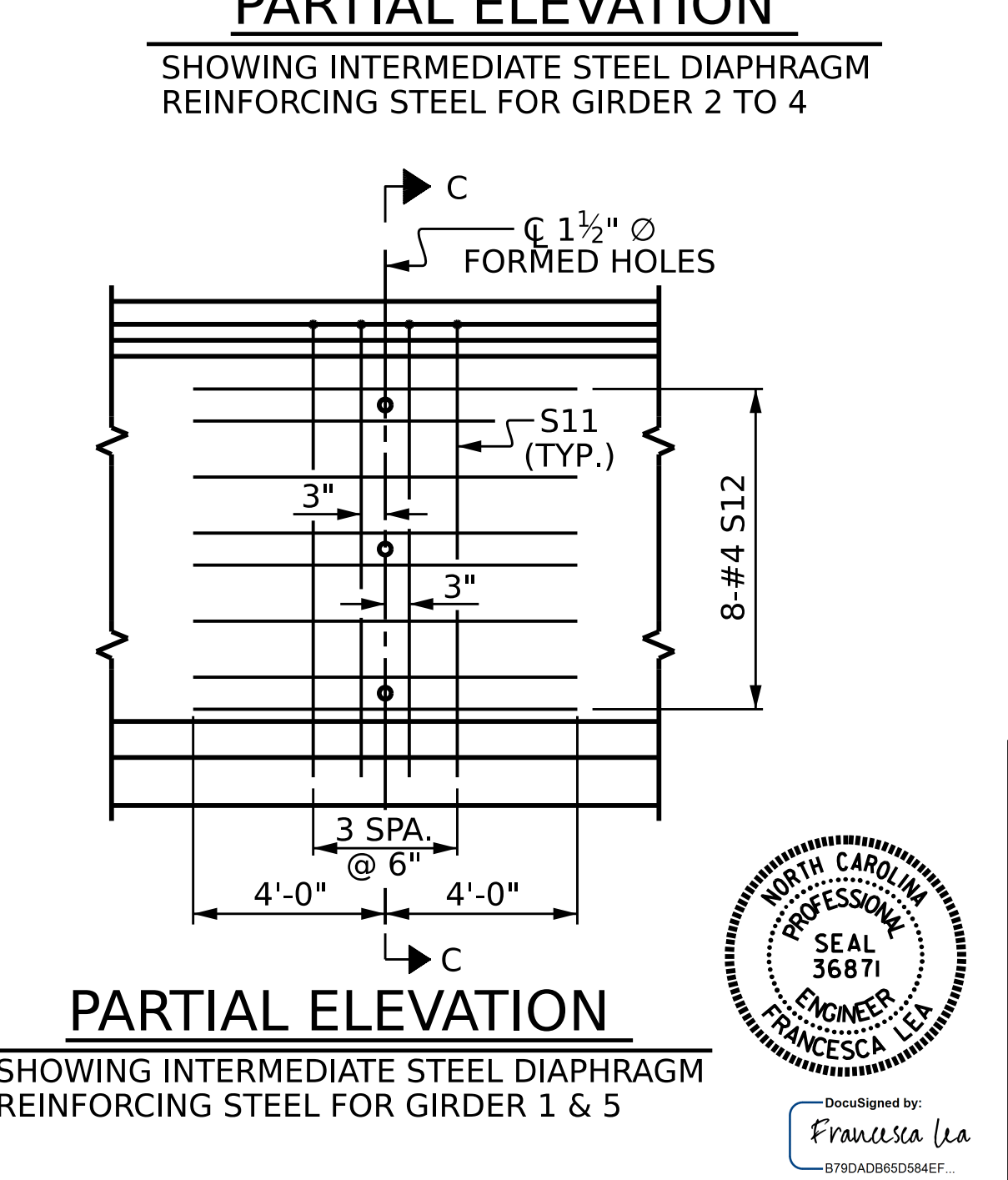
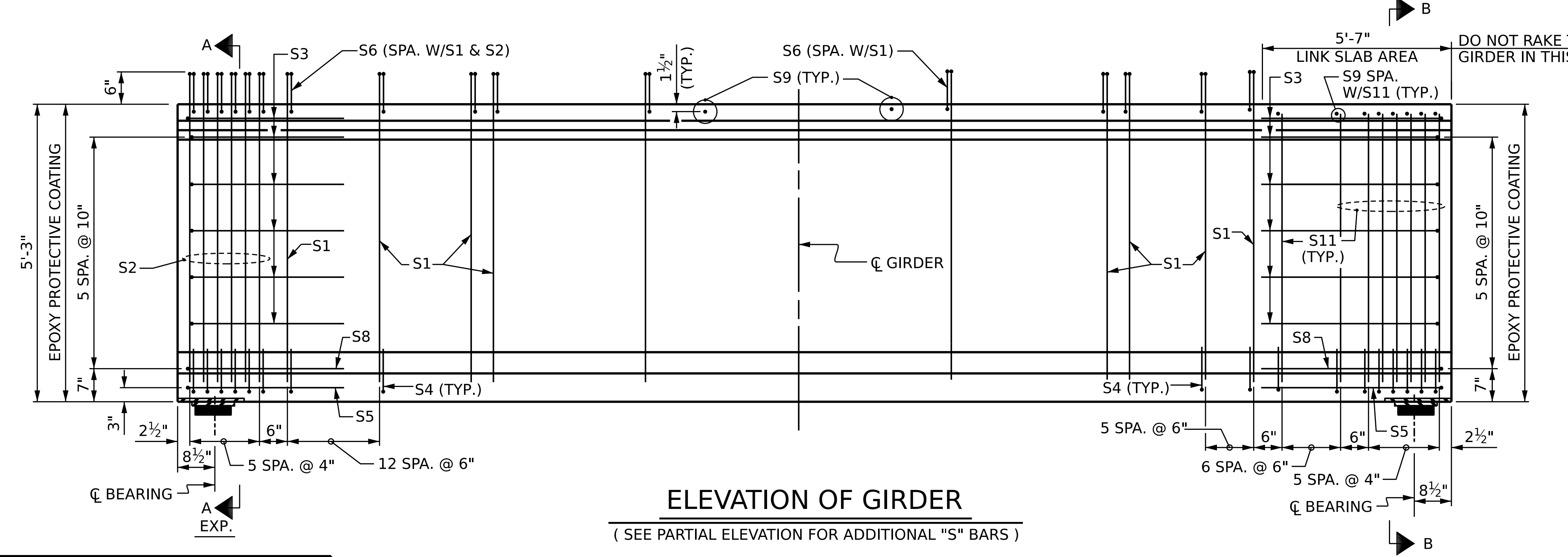
0.6" $\varnothing$ L.R. GRADE 270 STRANDS		
AREA (SQUARE INCHES)	ULTIMATE STRENGTH (LBS. PER STRAND)	APPLIED PRESTRESS (LBS. PER STRAND)
0.217	58,600	43,950

REINFORCING STEEL FOR ONE GDR					
BAR NUMBER	SIZE	TYPE	LENGTH	WEIGHT	
S1	156	#4	1	6'-1"	634
S2	12	#5	1	6'-1"	76
S3	12	#4	2	8'-5"	67
S4	76	#4	3	3'-0"	152
S5	2	#5	2	9'-10"	21
S6	168	#5	4	4'-4"	759
S8	2	#5	2	9'-0"	19
S9	33	#5	STR	3'-3"	112
S11	21	#5	5	10'-0"	219
S11	29	#5	5	10'-0"	302
S12	16	#4	STR	8'-0"	86
S13	16	#4	STR	14'-10"	159
S14	2	#5	4	4'-0"	8



QUANTITIES FOR ONE GIRDER			
GIRDERS	REINFORCING STEEL	9000 PSI CONCRETE	0.6" $\varnothing$ L.R. STRANDS
	LB.	C.Y.	No.
INTERIOR	2,309	21.6	38
EXTERIOR	2,153	21.6	38

GIRDERS REQUIRED		
NUMBER	LENGTH	TOTAL LENGTH
5	109'-2"	545.83



PROJECT NO. BR-0094  
ROCKINGHAM COUNTY  
 STATION: 20+38.70 -L-  
 SHEET 1 OF 3

STATE OF NORTH CAROLINA  
 DEPARTMENT OF TRANSPORTATION  
 RALEIGH

**STANDARD  
 63" PRESTRESSED  
 CONCRETE  
 MODIFIED BULB TEE  
 LINK SLAB - SPAN A**

ASSEMBLED BY: Q.T. NGUYEN DATE: 08/2022  
 CHECKED BY: F. LEA DATE: 09/2022  
 DRAWN BY: BNB 09/21  
 CHECKED BY: AAI 09/21

REVISIONS					SHEET NO.
NO.	BY:	DATE:	NO.	BY:	DATE:
1			3		
2			4		

DOCUMENT NOT CONSIDERED FINAL UNLESS ALL SIGNATURES COMPLETED

11/15/2022  
 R:\Structures\Plans\401\_019\_BR0094\_SMU\_G1\_S11\_780069.dgn  
 fle