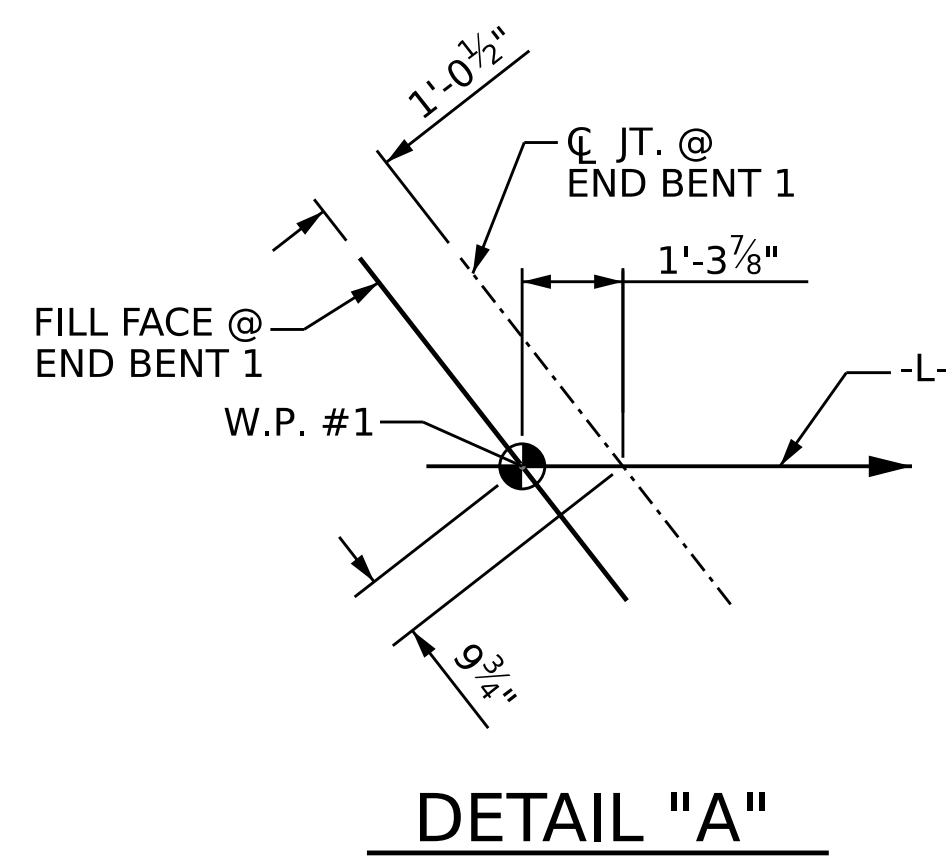


PLAN OF SPAN A

FOR INTERMEDIATE STEEL DIAPHRAGM DETAILS, SEE "INTERMEDIATE STEEL DIAPHRAGM" SHEET



DETAIL "A"

PROJECT NO. BR-0094
ROCKINGHAM COUNTY
 STATION: 20+38.70 -L-
 SHEET 1 OF 2



STATE OF NORTH CAROLINA
 DEPARTMENT OF TRANSPORTATION
 RALEIGH
 SUPERSTRUCTURE
 PLAN OF SPAN A

DRAWN BY : Q. T. NGUYEN DATE : 08/2022
 CHECKED BY : Z. MALIK DATE : 09/2022
 DESIGN ENGINEER OF RECORD : Z. MALIK DATE : 09/2022

DOCUMENT NOT CONSIDERED
 FINAL UNLESS ALL
 SIGNATURES COMPLETED

REVISIONS						SHEET NO.
NO.	BY:	DATE:	NO.	BY:	DATE:	5-08
1			3			TOTAL SHEETS
2			4			30

11/15/2022
 R:\Structures\Plans\401.013.BR0094.SMU.PS.S08.780069.dgn
 File