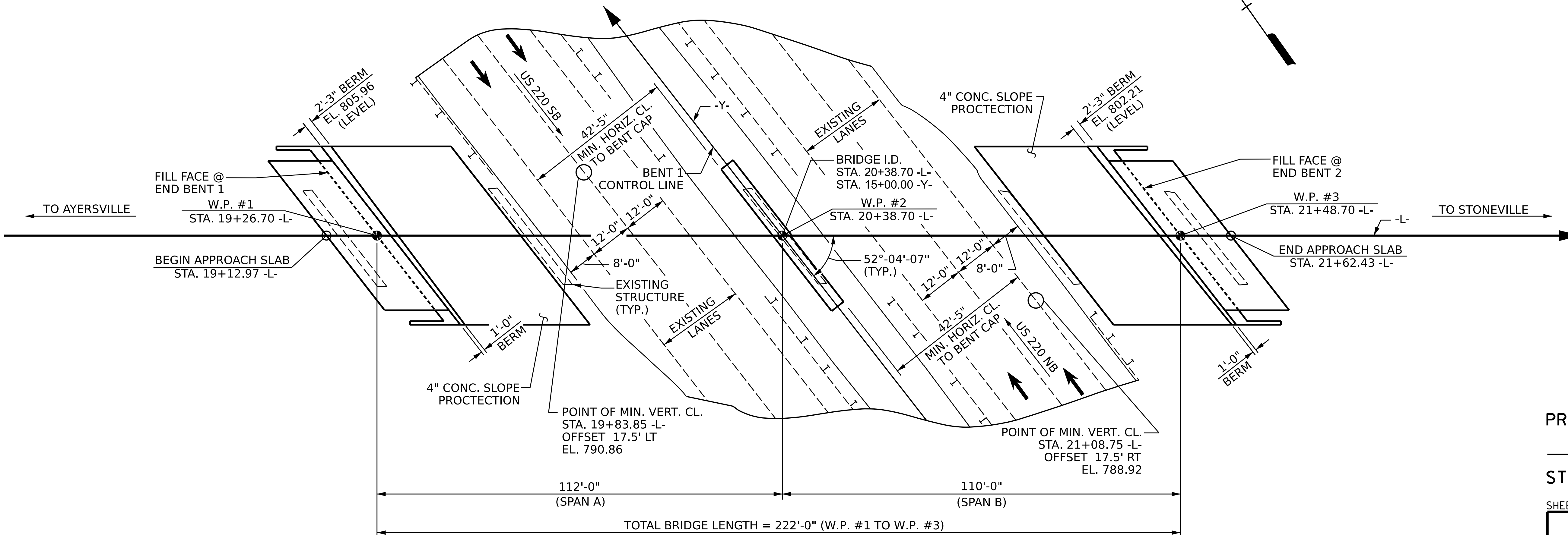
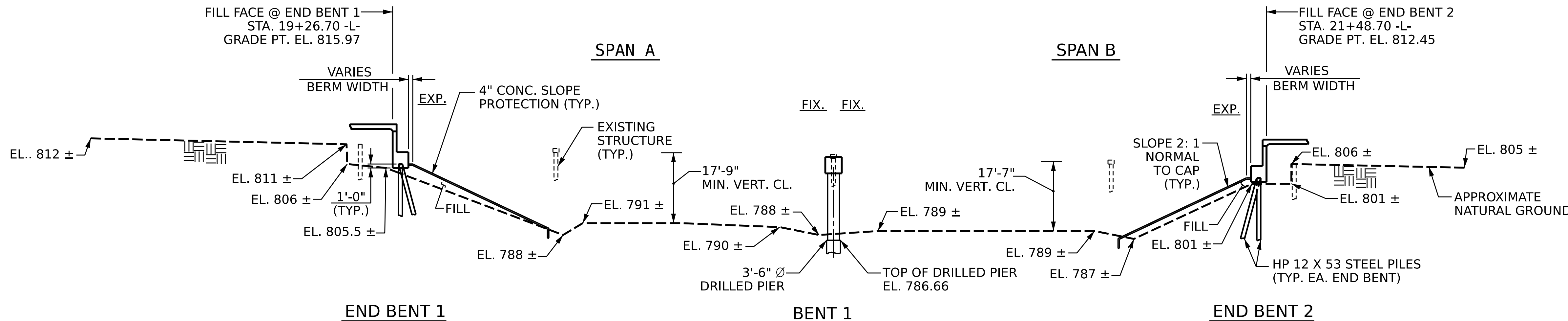


18+50 19+00 19+50 20+00 20+50 21+00 21+50 22+00

GRADE DATA

(+)0.3089% (-)4.7743%
 PI = 20+95.00 -L-
 EL. 816.67'
 VC = 450'



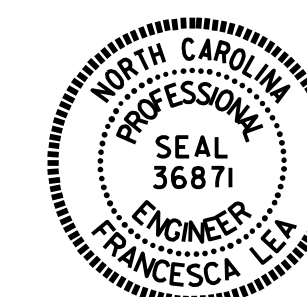
PROJECT NO. BR-0094
ROCKINGHAM COUNTY
 STATION: 20+38.70 -L-
15+00.00 -Y-
 SHEET 1 OF 3 REPLACES BRIDGE #780069

STATE OF NORTH CAROLINA
 DEPARTMENT OF TRANSPORTATION
 RALEIGH

GENERAL DRAWING
 FOR BRIDGE
 ON NC 770 OVER US 220
 BETWEEN SR 1367 AND SR 1405



Designed by
 Kristy Alford
 F245838930BF40E...
 11/16/2022



Designed by
 Francesca Lea
 B780A0B65D684EF...
 11/16/2022

DRAWN BY : Q. T. NGUYEN DATE : 08/2022
 CHECKED BY : F. LEA DATE : 09/2022
 DESIGN ENGINEER OF RECORD : F. LEA DATE : 09/2022

11/9/2022
 R:\Structures\Plans\401.001.BR0094.SMU.GD.S01.780069.dgn
 ttnguyen1

DOCUMENT NOT CONSIDERED
 FINAL UNLESS ALL
 SIGNATURES COMPLETED

REVISIONS						SHEET NO.
NO.	BY:	DATE:	NO.	BY:	DATE:	S-01
1			3			TOTAL SHEETS
2			4			30