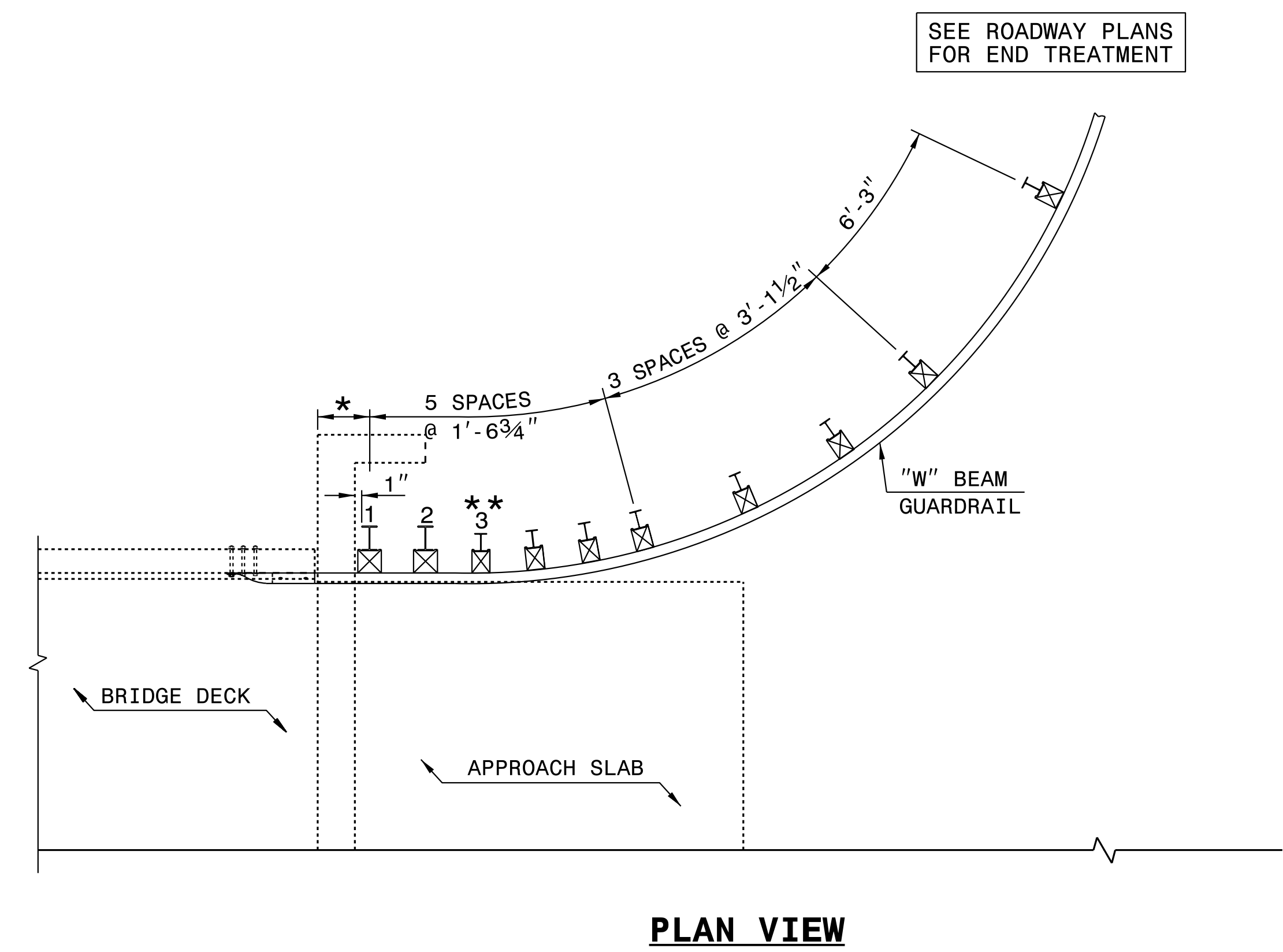
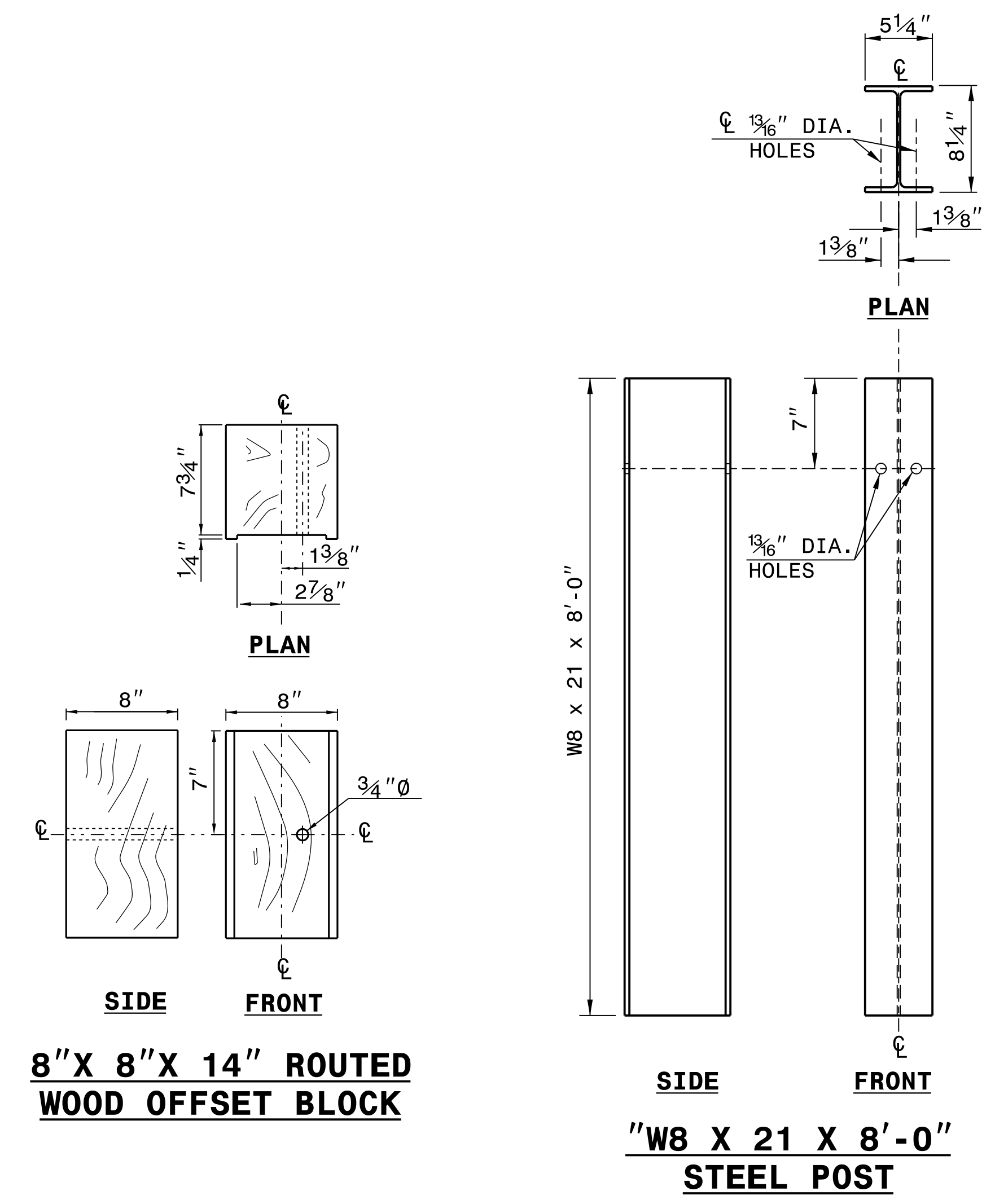


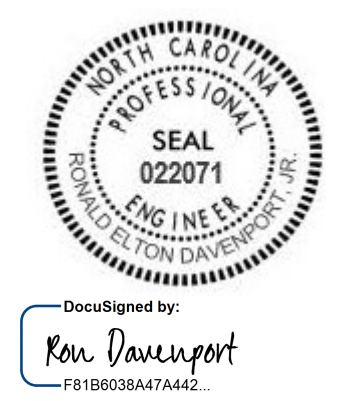
**NOTE:**

- \*\*ELIMINATE POST 3 AND SHIFT POSTS 1 & 2 ON SKEW ANGLES GREATER THAN 150° OR LESS THAN 30° UNLESS OTHERWISE DIRECTED BY THE ENGINEER.
- \*THE DISTANCE FROM END OF BRIDGE RAIL TO CENTER LINE OF THE FIRST POST SHOULD BE 11 1/2" IF CONCRETE BACKWALL IS NOT PRESENT.
- MEASURE GUARDRAIL HEIGHT FROM THE TOP OF ADJACENT SURFACE (SHOULDER, BERM, OR GUTTER).
- USE NO WOOD POSTS WITHIN THE GUARDRAIL ANCHOR UNIT LIMITS.
- LAP JOINTS IN THE DIRECTION OF TRAFFIC FLOW.
- POSTS 1 AND 2 TO BE W8 x 21 x 8'-0" LONG STEEL POST AND 8" x 8" x 14" WOOD ROUTED OFFSET BLOCK.



I9-NOV-2018 08:26  
 S:\Contracts\Contractors\Special Details Vertical\Misc. guardrail\NCHRP350 Approved\b-83\_minndot.dgn  
 J:\overton AT\_CSD-292595

10/31/2022



DOCUMENT NOT CONSIDERED FINAL UNLESS ALL SIGNATURES COMPLETED

**CONTRACT STANDARDS AND DEVELOPMENT UNIT**  
 Office 919-707-6950 FAX 919-250-4119

**GUARDRAIL ANCHOR UNIT TYPE B-83 SHOP CURVED**

ORIGINAL BY: E.E. WARD	DATE: 6-10-02
MODIFIED BY: E.E. WARD	DATE: 7-14-04
CHECKED BY:	DATE:
FILE SPEC.:	