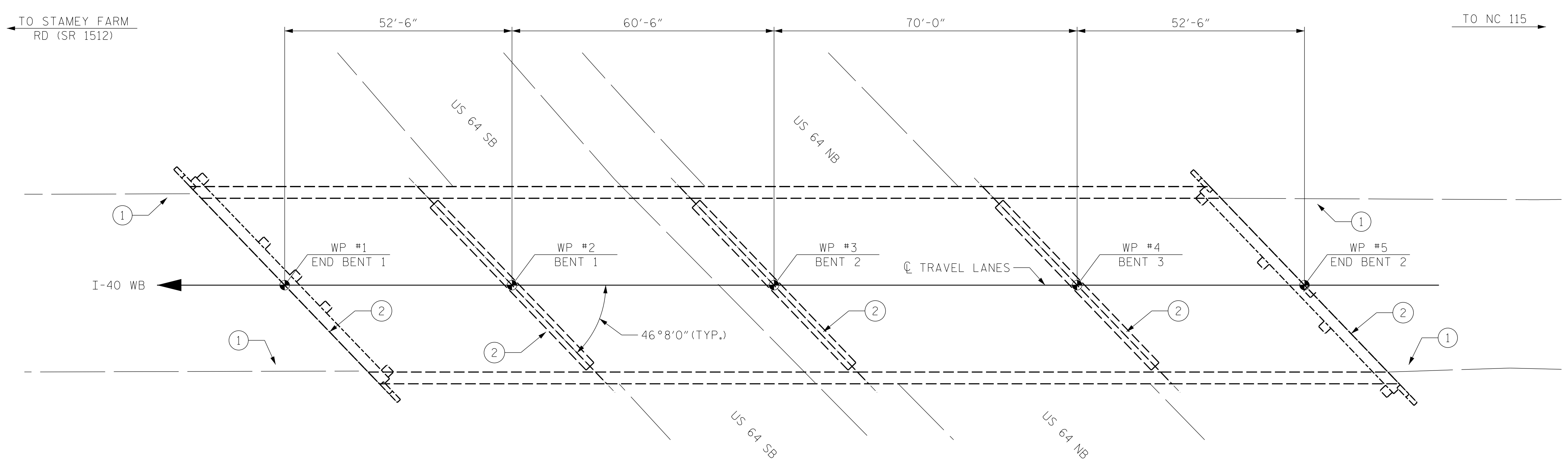


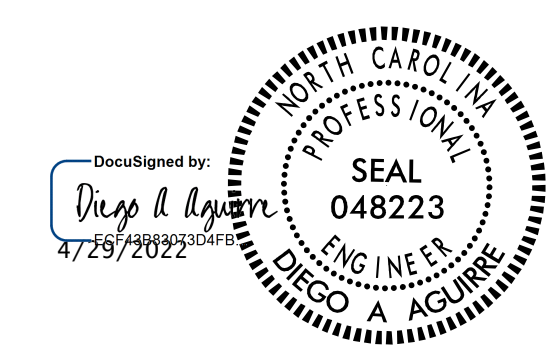
- SCOPE LEGEND:**
- ① CLEAR SHOULDERS OF DEBRIS AND VEGETATION
 - ② JOINT REPAIRS/REPLACEMENT
 - ③ SUPERSTRUCTURE CONCRETE REPAIRS
 - ④ PAINT EXISTING STEEL BEARINGS
 - ⑤ SUBSTRUCTURE CONCRETE REPAIRS
 - ⑥ SUBSTRUCTURE EPOXY RESIN INJECTION



I HEREBY CERTIFY THAT THIS STRUCTURE WAS REHABILITATED ACCORDING TO THESE PLANS OR AS NOTED THEREIN.

RESIDENT ENGINEER _____ DATE _____

PROJECT NO. I-5915B
IREDELL COUNTY
 BRIDGE NO. 480109



STATE OF NORTH CAROLINA
 DEPARTMENT OF TRANSPORTATION
 RALEIGH

GENERAL DRAWING

FOR BRIDGE ON I-40 WB
 OVER US-64

NOTES:

GENERAL DRAWING INFORMATION IS TAKEN FROM THE ORIGINAL PLANS AND THE MOST UP TO DATE ROUTINE INSPECTION REPORT DATED 09/16/2021.

DRAWN BY : FIDEL L. FLORES DATE : 01/2022
 CHECKED BY : DIEGO A. AGUIRRE DATE : 01/2022
 DESIGN ENGINEER OF RECORD: DIEGO A. AGUIRRE DATE : 01/2022

DOCUMENT NOT CONSIDERED FINAL UNLESS ALL SIGNATURES COMPLETED



REVISIONS						SHEET NO.	
NO.	BY:	DATE:	NO.	BY:	DATE:	S16-1	
1			3			TOTAL SHEETS	9
2			4				