

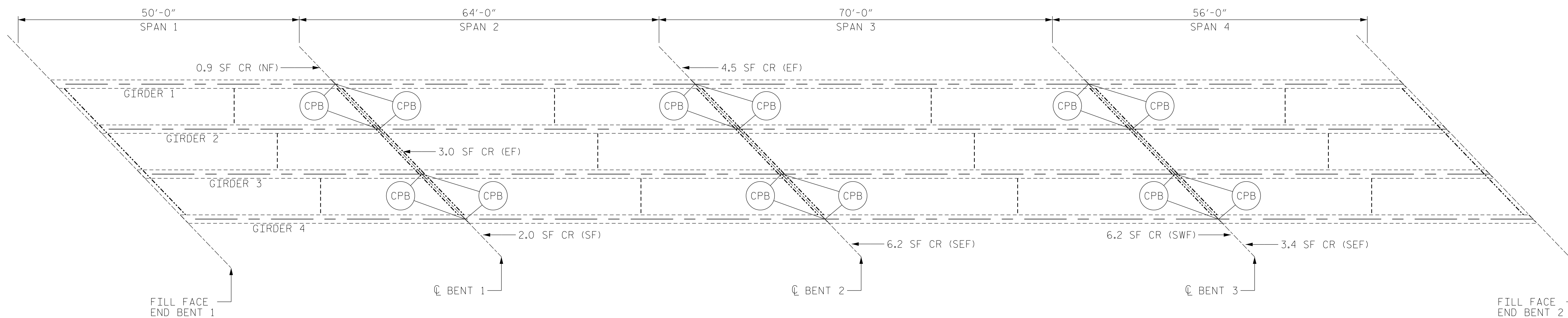
AS-BUILT REPAIR QUANTITY TABLE

SUPERSTRUCTURE REPAIRS

	SPAN 1		SPAN 2		SPAN 3		SPAN 4									
	ESTIMATE		ACTUAL		ESTIMATE		ACTUAL									
	AREA	VOLUME	AREA	VOLUME	AREA	VOLUME	AREA	VOLUME								
CONCRETE REPAIR AREA (CR)	0.9 SF	0.3 CF			5.0 SF	2.5 CF			16.9 SF	5.7 CF			3.4 SF	1.2 CF		
	ESTIMATE		ACTUAL		ESTIMATE		ACTUAL		ESTIMATE		ACTUAL		ESTIMATE		ACTUAL	
CLEANING & PAINTING EXISTING BEARINGS WITH HRSCA	4 EA				8 EA				8 EA				4 EA			

LEGEND:

- CPB CLEAN AND PAINT BEARING
- CR CONCRETE REPAIR AREA
- EF EAST FACE
- NF NORTH FACE
- SF SOUTH FACE
- SEF SOUTHEAST FACE
- SWF SOUTHWEST FACE



PLAN

NOTES:

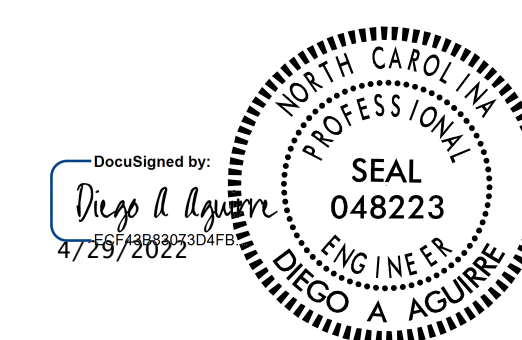
REPAIR LOCATIONS AND ESTIMATED QUANTITIES ARE GIVEN WITH THE BEST INFORMATION AVAILABLE. IF ADDITIONAL REPAIRS NOT SHOWN ON THE DRAWINGS ARE DEEMED NECESSARY BY THE ENGINEER, THE ENGINEER WILL NOTE ON THE DRAWINGS THE APPROXIMATE LOCATIONS AND DESCRIPTION OF THE REPAIRS AND ADJUST THE ACTUAL QUANTITIES ENTERED INTO THE TABLE ABOVE.

FOR CONCRETE AND SHOTCRETE REPAIRS, SEE "CONCRETE RESTORATION DETAILS" SHEETS.

SHOTCRETE REPAIRS MAY BE REPLACED WITH CONCRETE REPAIRS WITH THE APPROVAL OF THE ENGINEER.

FOR CLEANING & PAINTING EXISTING BEARINGS WITH HRSCA, SEE SPECIAL PROVISIONS.

PROJECT NO. I-5915B
IREDELL COUNTY
 BRIDGE NO. 480104



STATE OF NORTH CAROLINA
 DEPARTMENT OF TRANSPORTATION
 RALEIGH

SUPERSTRUCTURE REPAIRS

DRAWN BY : ALLEN J. MCSWAIN	DATE : 01/2022
CHECKED BY : JACOB H. DUKE	DATE : 01/2022
DESIGN ENGINEER OF RECORD: DIEGO A. AGUIRRE	DATE : 01/2022

DOCUMENT NOT CONSIDERED FINAL UNLESS ALL SIGNATURES COMPLETED

REVISIONS						SHEET NO.
NO.	BY:	DATE:	NO.	BY:	DATE:	
1			3			S15-5
2			4			TOTAL SHEETS 9