

# AS-BUILT REPAIR QUANTITY TABLE

	ESTIMATE	ACTUAL
INCIDENTAL MILLING	311 SY	
ASPHALT CONCRETE SURFACE COURSE, TYPE S9.5C	26 TON	
ASPHALT BINDER FOR PLANT MIX	1.6 TON	
CLASS II SURFACE PREPARATION	6.9 SY	

## NOTES:

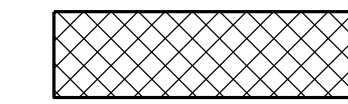
INCIDENTAL MILLING - EXISTING APPROACH ASPHALT PAVEMENT TO BE MILLED AS NECESSARY TO ATTAIN MINIMUM 1/2" DEPTH OF NEW ASPHALT PAVEMENT. NEW ASPHALT PAVEMENT SHALL BE OF THICKNESS NECESSARY TO PROVIDE A SMOOTH TRANSITION BETWEEN THE ROADWAY AND THE BRIDGE DECK. THE NEW ASPHALT PAVEMENT THICKNESS MAY EXCEED 1/2" DUE TO SETTLEMENT OF THE EXISTING APPROACH.

FOR NEW ASPHALT PLACEMENT, SEE STANDARD SPECIFICATIONS.

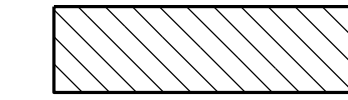
GRADE MAY BE ADJUSTED BY THE ENGINEER TO ENSURE PROPER TIE-IN AT THE END BENTS.

**C1** PROPOSED VARIABLE DEPTH ASPHALT CONCRETE SURFACE COURSE, TYPE S9.5C AT AN AVERAGE RATE OF 112 LBS. PER SQ. YD. PER 1" DEPTH. TO BE PLACED IN LAYERS NOT LESS THAN 1" OR GREATER THAN 2" IN DEPTH.

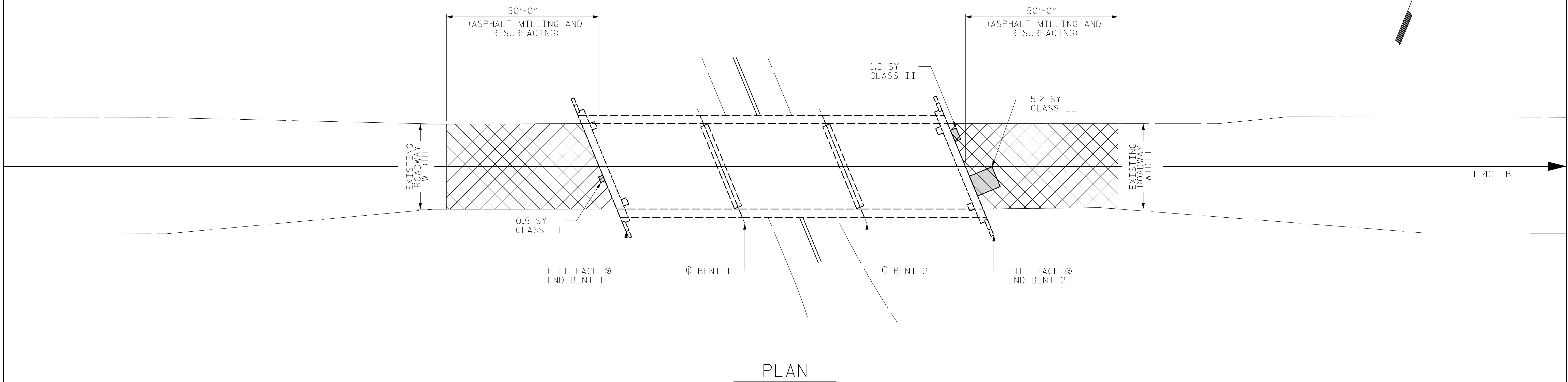
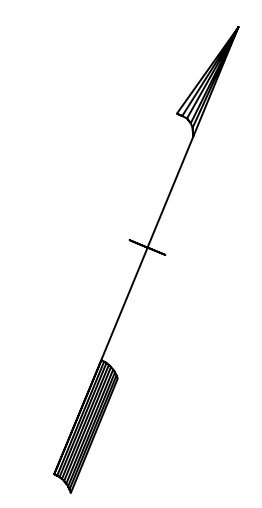
INCIDENTAL MILLING



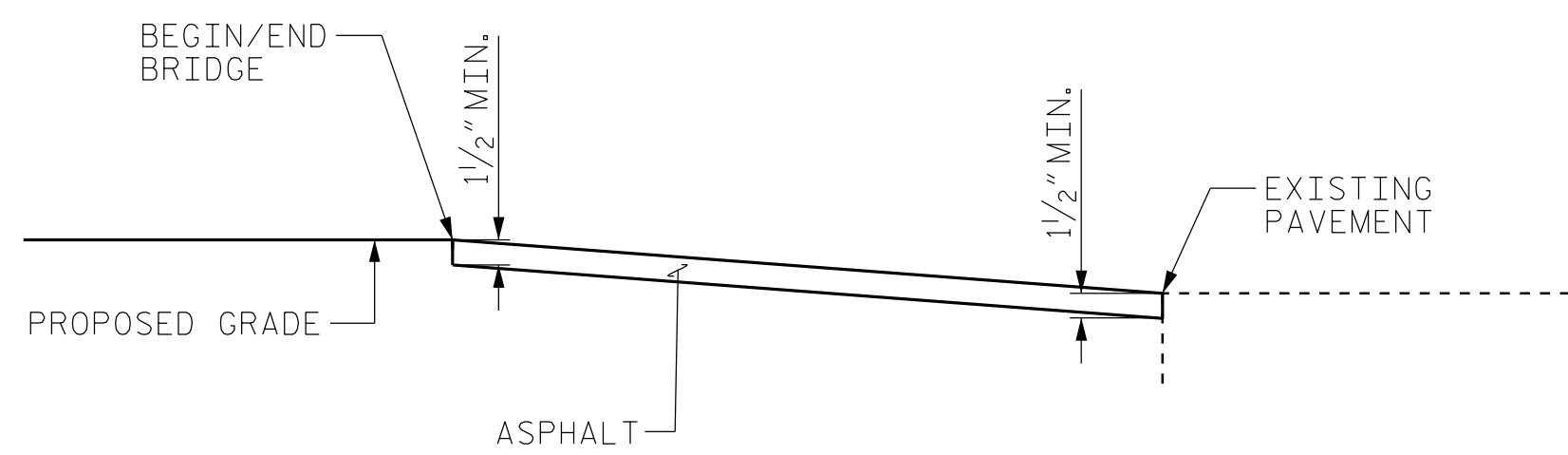
ASPHALT CONCRETE SURFACE COURSE, TYPE S9.5C (C1)



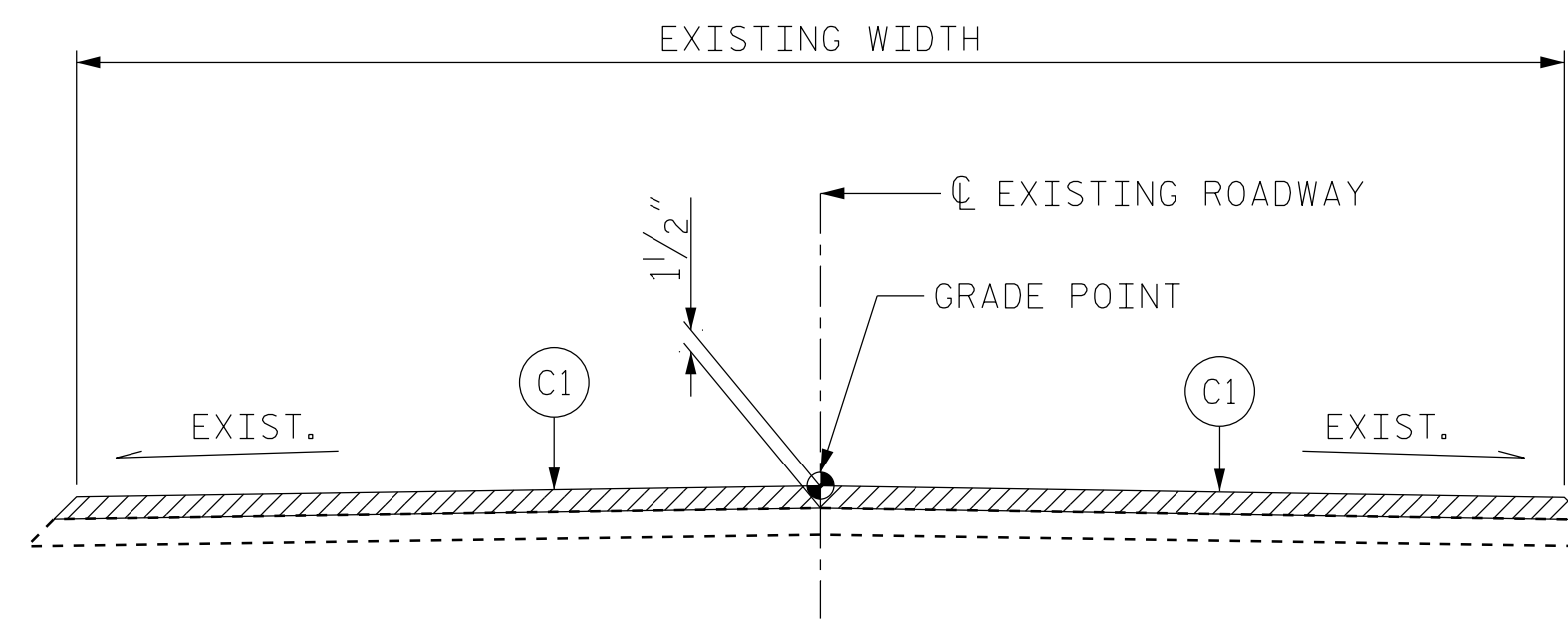
DEFECTS (SEE PLAN CALLOUT FOR DETAILS)



PLAN



PAVEMENT KEY-IN DETAIL FOR BOTH END BENTS



ROADWAY SECTION  
BEGIN/END BRIDGE

PROJECT NO. I-5915B  
IREDELL COUNTY  
 BRIDGE NO. 480072



STATE OF NORTH CAROLINA  
 DEPARTMENT OF TRANSPORTATION  
 RALEIGH  
 APPROACH ROADWAY  
 MILLING AND RESURFACING

DRAWN BY : FIDEL L. FLORES DATE : 01/2022  
 CHECKED BY : JACOB H. DUKE DATE : 01/2022  
 DESIGN ENGINEER OF RECORD: DIEGO A. AGUIRRE DATE : 01/2022

4/21/2022  
 I5915B\_SMU.AR01.480072.dgn  
 daguirre

DOCUMENT NOT CONSIDERED  
 FINAL UNLESS ALL  
 SIGNATURES COMPLETED

301 FAYETTEVILLE ST., SUITE 1500  
 RALEIGH, NC 27601 (919) 882-7839  
 NC FIRM LICENSE: C-1506

REVISIONS						SHEET NO.
NO.	BY:	DATE:	NO.	BY:	DATE:	TOTAL SHEETS
1			3			10
2			4			