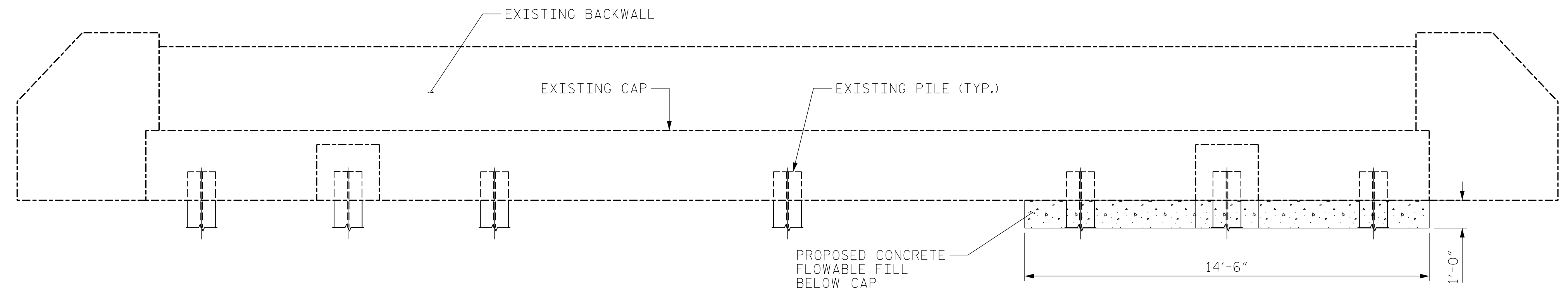


AS-BUILT REPAIR QUANTITY TABLE

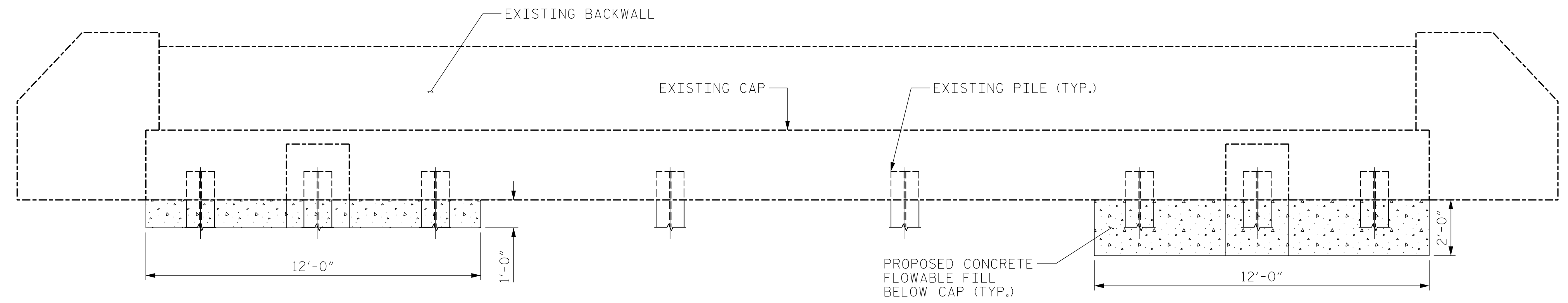
	END BENT 1		END BENT 2	
	ESTIMATE	ACTUAL	ESTIMATE	ACTUAL
UNCLASSIFIED STRUCTURE EXCAVATION	1.3 CY		3.2 CY	
FLOWABLE FILL	1.3 CY		3.2 CY	
BORROW EXCAVATION	2.8 CY		5.7 CY	

NOTES:

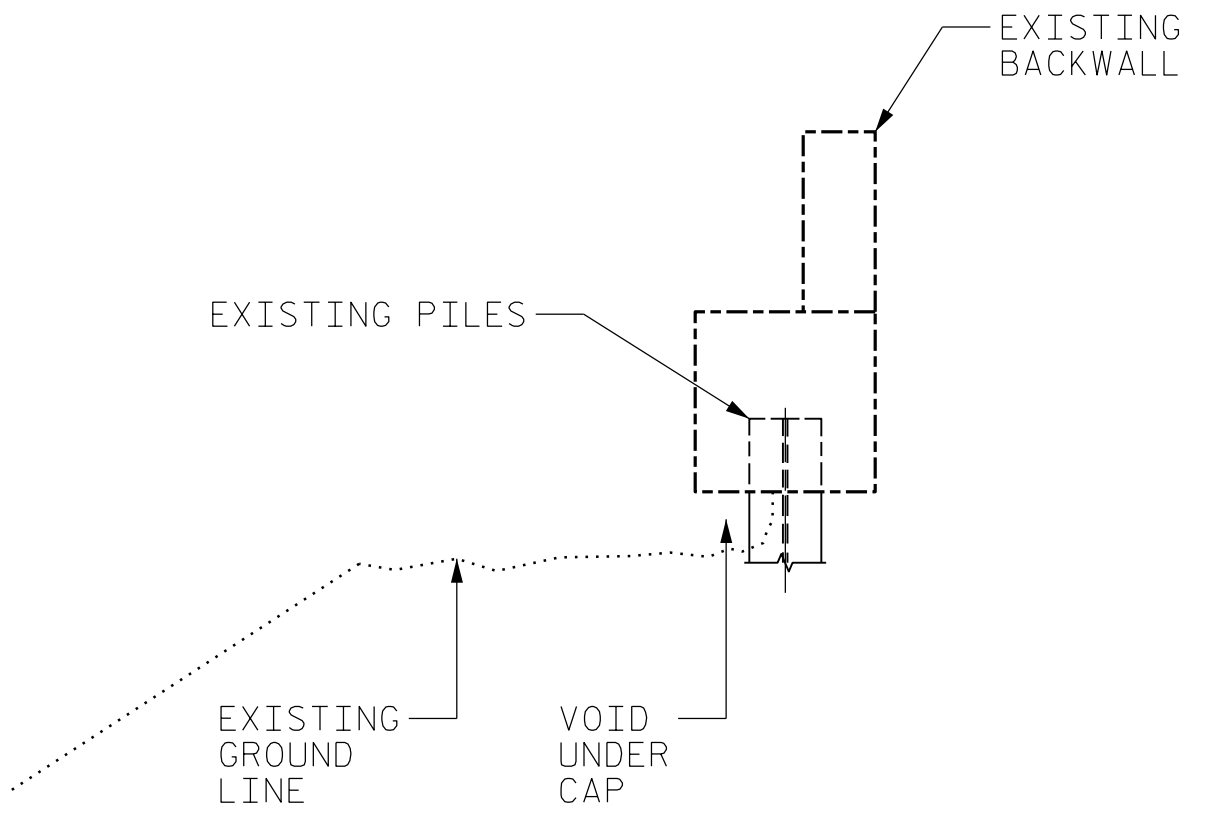
- EXCAVATE BELOW THE EXISTING AS INDICATED IN THE ELEVATION VIEWS. EXCAVATION BELOW THE CAP IS TO BE PAID FOR AS "UNCLASSIFIED STRUCTURE EXCAVATION".
- PLACE CONCRETE FLOWABLE FILL UNDER THE CAP AS SHOWN IN THESE PLANS, FULLY ENGAGING ADJACENT PILES.
- PLACE GEOTEXTILE TO THE LIMITS SHOWN IN THESE PLANS, UP THE FACE OF THE CAP, 1.0 FT ABOVE THE BOTTOM OF THE CAP.
- REPLACE REMOVED SOIL AND REGRADE SLOPE USING MATERIAL FROM UNCLASSIFIED STRUCTURE EXCAVATION, AND ADDITIONAL MATERIAL FROM BORROW EXCAVATION, AS NEEDED. SEE ARTICLE 230-5 OF THE 2018 STANDARD SPECIFICATIONS FOR ADDITIONAL DETAILS OF BORROW EXCAVATION.



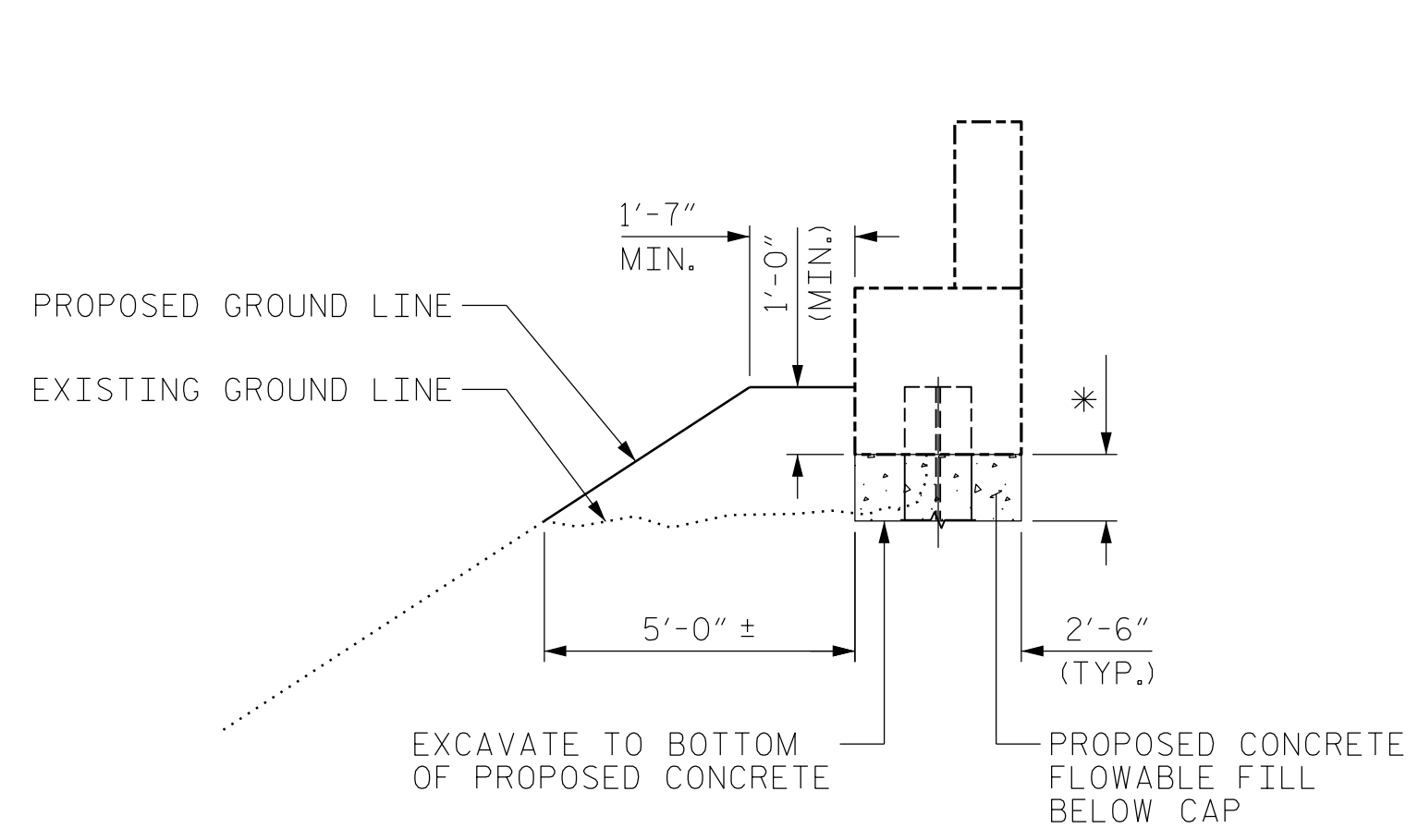
END BENT 1
ELEVATION



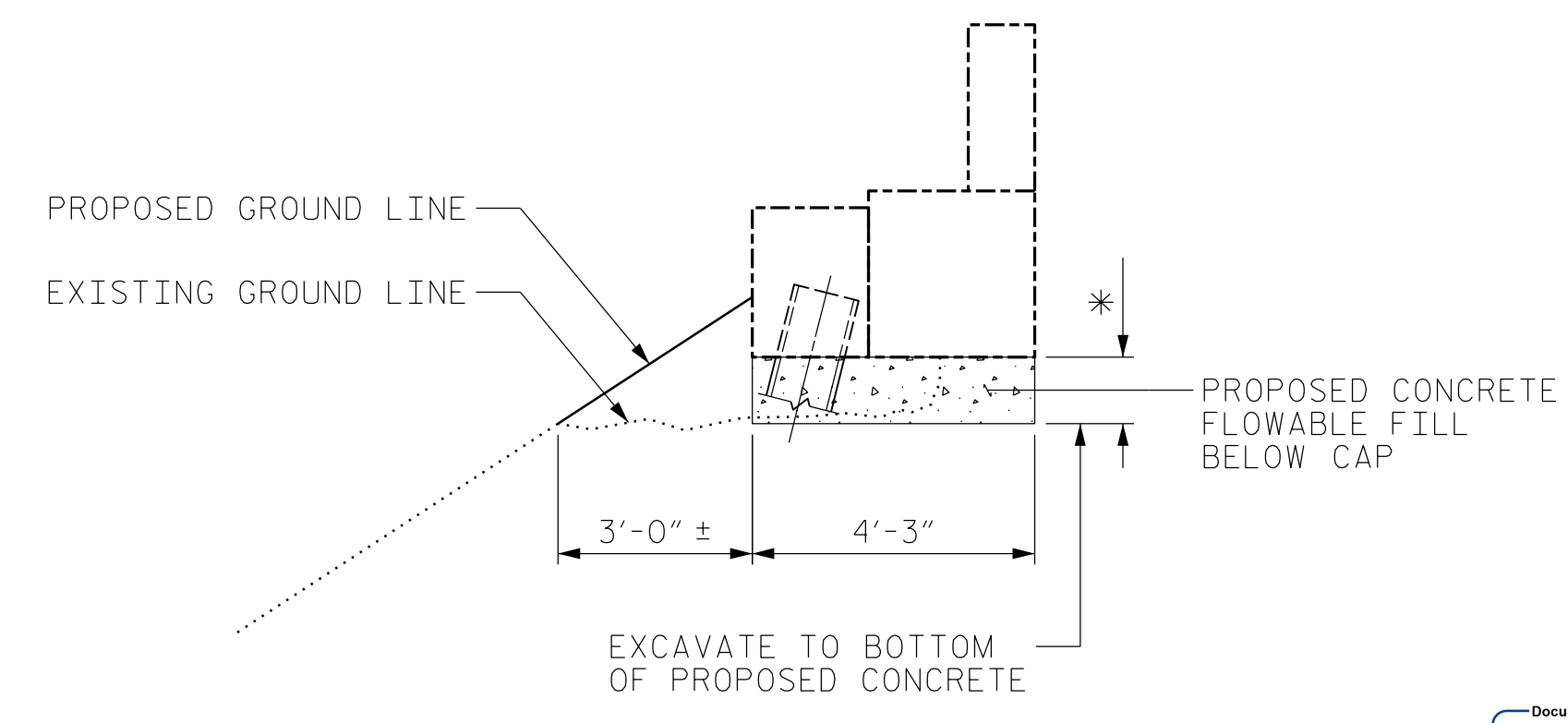
END BENT 2
ELEVATION



EXISTING
CAP SECTION

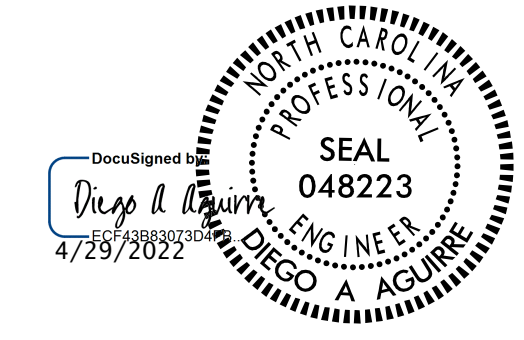


PROPOSED
CAP SECTION
(* SEE ELEVATION)



PROPOSED
CAP SECTION AT BRACE PILES
(* SEE ELEVATION)

PROJECT NO. I-5915B
IREDELL COUNTY
BRIDGE NO. 480066



STATE OF NORTH CAROLINA
DEPARTMENT OF TRANSPORTATION
RALEIGH
EROSION REMEDIATION
END BENT 1 & END BENT 2

DRAWN BY : DIEGO A. AGUIRRE DATE : 01/2022
CHECKED BY : JACOB H. DUKE DATE : 01/2022
DESIGN ENGINEER OF RECORD: DIEGO A. AGUIRRE DATE : 01/2022

4/21/2022
I5915B_SMU.SP01.480066.dgn
daquirre

DOCUMENT NOT CONSIDERED
FINAL UNLESS ALL
SIGNATURES COMPLETED

KCA
KISINGER CAMPO
& ASSOCIATES
301 FAYETTEVILLE ST., SUITE 1500
RALEIGH, NC 27601 (919) 882-7839
NC FIRM LICENSE: C-1506

REVISIONS						SHEET NO.
NO.	BY:	DATE:	NO.	BY:	DATE:	TOTAL SHEETS
1			3			12
2			4			