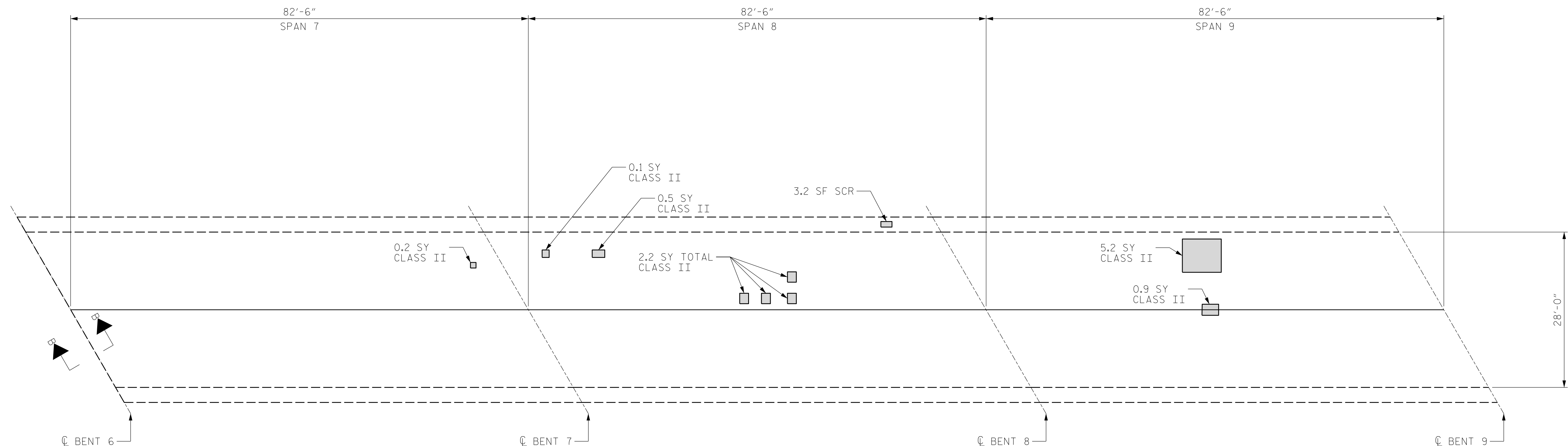
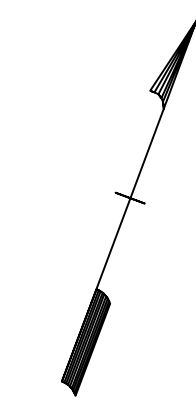


# AS-BUILT REPAIR QUANTITY TABLE

## DECK REPAIRS

	SPAN 7		SPAN 8		SPAN 9							
	ESTIMATE		ACTUAL		ESTIMATE		ACTUAL					
	AREA	VOLUME	AREA	VOLUME	AREA	VOLUME	AREA	VOLUME				
SHOTCRETE REPAIR AREA (SCR)	-- SF	-- CF			3.2 SF	1.6 CF			-- SF	-- CF		
CLASS II SURFACE PREPARATION	0.2 SY				2.8 SY				6.1 SY			
ASPHALT CONCRETE SURFACE COURSE, TYPE S9.5C	29 TONS				29 TONS				29 TONS			
ASPHALT BINDER FOR PLANT MIX	1.8 TONS				1.8 TONS				1.8 TONS			



### PARTIAL PLAN

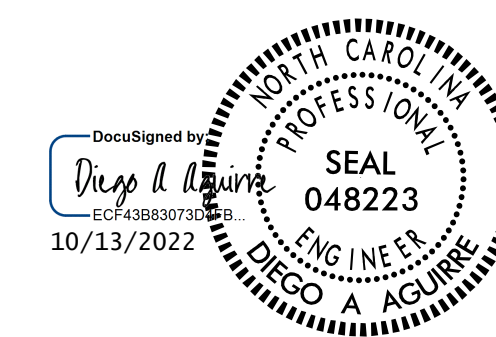
#### NOTES:

- PRIOR TO SURFACE PREPARATION, REMOVE ALL LOOSE, DISINTEGRATED, UNSOUND OR CONTAMINATED CONCRETE FROM THE BRIDGE DECK.
- FOR CONCRETE FOR DECK REPAIR, SEE SPECIAL PROVISIONS.
- WORK THIS SHEET WITH "JOINT DETAILS" SHEET.
- WORK THIS SHEET WITH "TYPICAL SECTION" SHEET.
- FOR NEW ASPHALT PLACEMENT, SEE STANDARD SPECIFICATIONS.

REPAIR LOCATIONS AND ESTIMATED QUANTITIES ARE GIVEN WITH THE BEST INFORMATION AVAILABLE. IF ADDITIONAL REPAIRS NOT SHOWN ON THE DRAWINGS ARE DEEMED NECESSARY BY THE ENGINEER, THE ENGINEER WILL NOTE ON THE DRAWINGS THE APPROXIMATE LOCATIONS AND DESCRIPTION OF THE REPAIRS AND ADJUST THE ACTUAL QUANTITIES ENTERED INTO THE AS-BUILT REPAIR QUANTITY TABLE.

PROJECT NO. I-5915B  
IREDELL COUNTY  
 BRIDGE NO. 480007

SHEET 3 OF 4



STATE OF NORTH CAROLINA  
 DEPARTMENT OF TRANSPORTATION  
 RALEIGH

### PLAN OF SPANS DECK REPAIRS

DRAWN BY : ALLEN J. MCSWAIN DATE : 01/2022  
 CHECKED BY : JACOB H. DUKE DATE : 01/2022  
 DESIGN ENGINEER OF RECORD: DIEGO A. AGUIRRE DATE : 01/2022

ASPHALT CONCRETE SURFACE COURSE, TYPE S9.5C

DEFECTS (SEE PLAN CALLOUT FOR DETAILS)

DOCUMENT NOT CONSIDERED FINAL UNLESS ALL SIGNATURES COMPLETED

REVISIONS						SHEET NO.
NO.	BY:	DATE:	NO.	BY:	DATE:	S6-5
1			3			TOTAL SHEETS
2			4			24