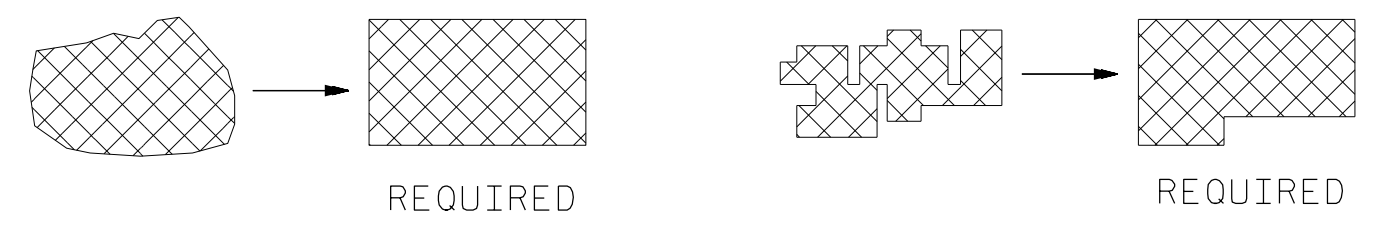


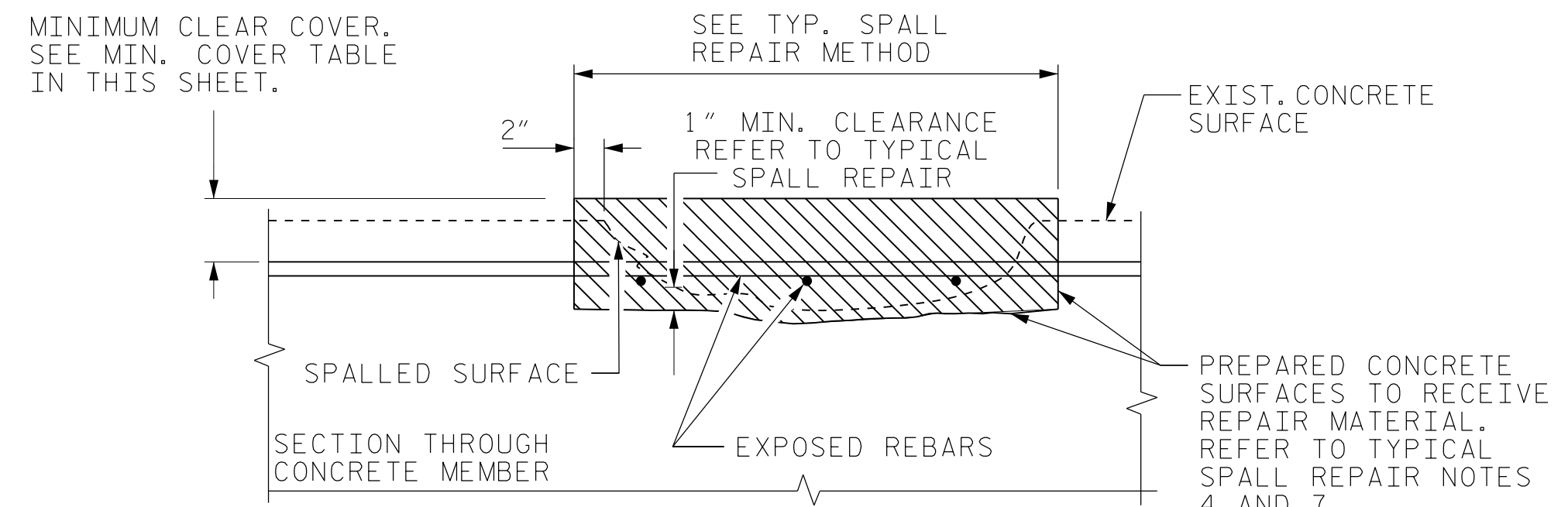
TYPICAL DELAMINATIONS AND SPALLS

TYPICAL SPALL WITH EXPOSED REBAR



SIMPLE PATCH CONFIGURATION

AT CORNER LOCATIONS PROVIDE RIGHT ANGLE CUTS. PATCH CONFIGURATION SHALL BE KEPT AS SIMPLE AS POSSIBLE. INDIVIDUAL REPAIR AREAS WITHIN 2 FEET SHALL BE JOINED AT THE DIRECTION OF THE ENGINEER.



EXPOSING AND UNDERCUTTING REINFORCING STEEL

APPLICABLE TO HORIZONTAL, VERTICAL, AND OVERHEAD LOCATIONS

MIN. CONCRETE COVER TABLE		
STRUCTURE ELEMENT	COVER	
	ALL OTHER SITES	CORROSIVE SITES
Bridge Deck to top of slab to bottom of slab	2 1/2" (65mm)	2 1/2" (65mm)
	1 1/4" (32mm)	1 1/4" (32mm)*
Footings and Pile Caps to top face to all other faces	2" (50mm)	4" (100mm)
	3" (75mm)	4" (100mm)
Bent Caps to bottom of cap to ends of cap to top of cap to sides of cap	3" (75mm)	4" (100mm)
	2" (50mm)	3" (75mm)
	2" (50mm)	3" (75mm)
	2" (50mm)	3" (75mm)
Columns (spiral)	2" (50mm)	3" (75mm)
Drilled Piers (spiral)	5" (125mm)**	6" (150mm)**
Culverts to bottom of bottom slabs and footings to all other faces	3" (75mm)	3" (75mm)
	2" (50mm)	2" (50mm)
Approach Slabs	2" (50mm)	2" (50mm)

* WHEN USING REMOVEABLE FORMS, COVER SHALL BE INCREASED TO 2 1/2"
 ** IN THE EVENT THE DRILLED PIER EXTENDS INTO A BENT CAP OR PILE CAP, THE COVER MAY BE REDUCED TO 4"

TYPICAL SPALL REPAIR

- FOR CONCRETE RESTORATION, REMOVE AND REPAIR UNSOUND CONCRETE FROM AREAS TO BE REPAIRED IN ACCORDANCE WITH THIS SHEET AND THE PROJECT SPECIAL PROVISIONS. AREAS WELL ADHERED TO EXISTING STRAND OR REINFORCEMENT SHALL REMAIN.
- ALL UNSOUND CONCRETE MUST BE REMOVED, HOWEVER, PRESTRESSED STRANDS SHOULD NOT BE DISTURBED UNLESS ABSOLUTELY NECESSARY. USE EXTREME CARE TO NOT DAMAGE STRANDS.
- ALL REPAIRS SHALL BE MARKED FOR APPROVAL OF APPROXIMATE PERIMETER PRIOR TO INITIATION OF WORK.
- THE CONTRACTOR SHALL SUBMIT A PLAN FOR CONTROL AND DISPOSAL OF DEBRIS TO THE ENGINEER FOR APPROVAL.
- ANY REINFORCEMENT WHICH IS LOOSE SHALL BE SECURED IN PLACE BY TYING TO OTHER SECURED BARS OR BY OTHER APPROVED METHODS. LAP SPLICES SHALL BE INSTALLED IN ACCORDANCE WITH THE TABLE BELOW. REFER TO GENERAL NOTES FOR DOWEL DETAIL (IF NECESSARY).
- CLEAN EXPOSED REBARS AND ANY LOOSE CONCRETE OR ABRASIVES BY SANDBLASTING OR APPROVED ALTERNATE. CLEANED STEEL SHALL NOT BE LEFT EXPOSED FOR MORE THAN 72 HOURS PRIOR TO ENCAPSULATION OF CONCRETE.
- AN APPROVED CEMENTITIOUS BASED BONDING AGENT SHALL BE USED ON ALL EXPOSED CONCRETE SURFACES IN ACCORDANCE WITH MANUFACTURER'S RECOMMENDATIONS BEFORE THE REPAIR MATERIAL IS APPLIED.
- FILL VOIDS WITH REPAIR MATERIAL IN ACCORDANCE WITH THE PROJECT SPECIAL PROVISIONS AND NCDOT SPECIFICATIONS. NOTE THAT ANY REPAIR MATERIAL APPLIED TO OVERHEAD LOCATIONS SHALL BE SPECIFICALLY DESIGNATED FOR OVERHEAD USE BY THE MANUFACTURER'S SPECIFICATIONS.

TYPICAL CRACK REPAIR

- OBTAIN ENGINEER'S APPROVAL TO CARRY OUT CRACK REPAIR (IN LIEU OF SPALL REPAIR) FOR CASES WHERE ADJACENT CONCRETE IS OTHERWISE SOUND AND CRACKING IS NOT A RESULT OF CORRODING REINFORCEMENT.
- ADDRESS CRACKS IN NEW CONSTRUCTION IN ACCORDANCE WITH PROJECT SPECIAL PROVISIONS. ADDRESS EXISTING CRACKS IN ACCORDANCE WITH THIS SHEET AND PROJECT SPECIAL PROVISIONS.
- REMOVE UNSOUND CONCRETE FROM CRACK AREA.
- THE CONTRACTOR SHALL SUBMIT A PLAN FOR CONTROL AND DISPOSAL OF DEBRIS TO THE ENGINEER FOR APPROVAL.
- FOR CRACKS UP TO 1/8" USE AN EPOXY RESIN WITH MINIMUMS OF VISCOSITY OF 325 CPS, 28 DAY COMPRESSIVE STRENGTH OF 13000 PSI. FOR CRACKS 1/8" TO 1/4", USE AN INJECTION GEL OR EQUAL NON-SAG PASTE WITH 28 DAY COMPRESSIVE STRENGTH OF 10000 PSI.
- TO SEAL CRACK SURFACES PRIOR TO CRACK INJECTION, USE INJECTION GEL WITH MINIMUM 28 DAY COMPRESSIVE STRENGTH OF 12000 PSI.
- ENGINEER TO APPROVE CRACK AND CAP SEAL MATERIAL PRIOR TO BEGINNING OF CONSTRUCTION.
- APPLY CLASS II FINISH AT COMPLETION OF CRACK REPAIR TO REMOVE FINS OR KNOBS.

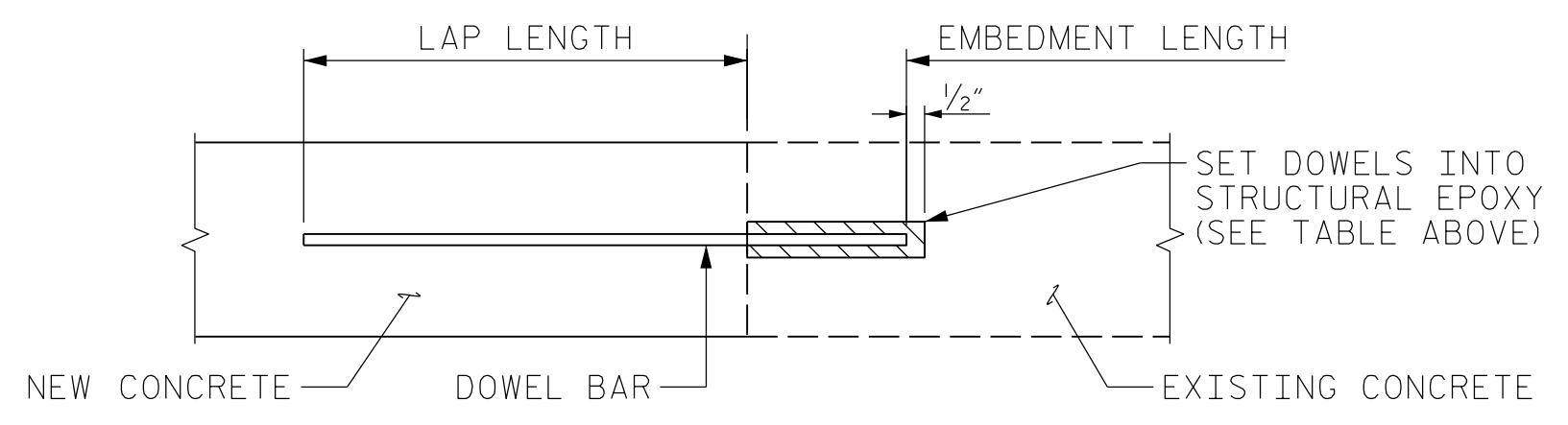
DOWEL DETAILS & NOTES

DOWEL DIMENSIONS (UNLESS OTHERWISE NOTED)			
DOWEL SIZE	HOLE DIAMETER	EMBEDMENT LENGTH	MIN LAP LENGTH
4	5/8"	8"	1'-9"
5	3/4"	9"	2'-2"
6	7/8"	11"	2'-7"
8	1 1/8"	1'-4"	4'-6"

NOTES: ANY REQUIRED DOWEL HOLES SHALL BE DRILLED INTO EXISTING CONCRETE ACCORDING TO THE DETAIL AND NCDOT SPECIFICATIONS.

NOTIFY THE ENGINEER OF ANY BROKEN BARS OR BARS WHICH ARE DETERMINED TO HAVE A SECTION LOSS OF 25% OR GREATER.

INSTALL DOWELS IN ACCORDANCE WITH NCDOT SPECIFICATIONS.



CONCRETE REPAIR NOTES

- PERFORM A SOUNDING SURVEY IN THE PRESENCE OF THE ENGINEER TO IDENTIFY ALL LOCATIONS IN NEED OF CONCRETE REPAIR.
- GAIN CONCURRENCE ON ALL REPAIR AREAS AT EACH LOCATION PRIOR TO COMMENCING WORK AT THE BENT.
- THE DETERIORATED AREAS SHOWN ON OTHER SHEETS ARE BASED ON THE BRIDGE INSPECTION REPORT, AND PARTIAL FIELD REVIEWS OF THE STRUCTURE. AS SUCH, THEY ARE FOR INFORMATIONAL PURPOSES, SUBJECT TO CHANGE BASED ON CONTINUING DETERIORATION.
- GENERALLY EXTEND REPAIR AREAS 2"-3" INTO SOUND CONCRETE BEYOND EDGE OF SPALLS AND SQUARE OFF AREAS IN ACCORDANCE WITH DETAILS ON THIS SHEET.
- THE METHOD USED TO DELINEATE THE AREAS OF UNSOUND CONCRETE TO BE REPAIRED SHALL NOT PERMANENTLY MARK THE CONCRETE, LEAVE ANY RESIDUE AFTER REMOVAL, OR REQUIRE HARSH CHEMICALS TO REMOVE.
- THE CONTRACTOR SHALL REMOVE THE DETERIORATED CONCRETE IN ACCORDANCE WITH THE GUIDELINES SET IN THESE NOTES, IN THE PROJECT SPECIAL PROVISIONS, AND THE STANDARD SPECIFICATIONS.
- REMOVE UNSOUND CONCRETE TO THE EXTENT NECESSARY. MINIMUM OF 1" BEHIND REBAR AND MINIMUM OF 2" CLEARANCE TO SAWCUT.
- REINFORCING STEEL, WHICH IS DETERMINED BY THE ENGINEER TO BE REPLACED, SHALL BE REMOVED TO A POINT WHERE IT IS SOUND. THE PATCH SHALL EXTEND A SUFFICIENT DISTANCE BEYOND THIS POINT TO DEVELOP A SPLICE LENGTH SPECIFIED IN THE TABLE ON THIS SHEET.
- FOR REPAIRS OVER TRAFFIC AND SHALLOW REPAIRS THAT DO NOT ENGAGE REINFORCEMENT, ANCHOR PATCH MATERIAL USING 1/4" GALVANIZED BOLTS, EPOXY ANCHORED WITH 2" EMBEDMENT. PLACE BOLTS IN A 6" GRID. USE A LATEX OR EPOXY PATCH MATERIAL FOR IMPROVED BOND.
- CONCRETE COVER SHOWN IN THE PLANS DOES NOT INCLUDE PLACEMENT OR FABRICATION TOLERANCES UNLESS SHOWN AS "MINIMUM COVER". SEE NCDOT SPECIFICATIONS FOR ALLOWABLE REINFORCEMENT PLACEMENT TOLERANCES.
- WHEN PROPOSED CONCRETE REPAIRS (OR DETERMINED LOCATIONS) ARE ADJACENT TO A CORNER, REPAIR ON THE ADJACENT EDGE SHOULD BE ANTICIPATED IN ADDITION TO THE AREA SHOWN ON SUBSTRUCTURE CONCRETE REPAIR SHEETS. THE CONTRACTOR IS RESPONSIBLE FOR THIS REPAIR AT ALL LOCATIONS REGARDLESS OF CALL-OUT(S) ON RESPECTIVE SHEET(S).
- FINISH CONCRETE SURFACES IN ACCORDANCE WITH THE LATEST NCDOT SPECIFICATIONS. MATCH EXISTING FINISH ON ALL EXPOSED EDGES UNLESS OTHERWISE NOTED. A CLASS 5 FINISH COATING SHALL BE APPLIED TO THE BEAM ENDS WHERE CONCRETE REPAIRS HAVE BEEN PERFORMED, MATCHING THE COLOR OF SURROUNDING CONCRETE.
- ALL REINFORCING STEEL SHALL BE ASTM A615-96, GRADE 60. REINFORCEMENT DETAIL DIMENSIONS ARE OUT-TO-OUT OF BARS. ALL DIMENSIONS PERTAINING TO LOCATION OF REINFORCEMENT ARE TO CENTERLINE OF BARS EXCEPT WHERE THE CLEAR DIMENSION IS SHOWN TO FACE OF CONCRETE. ANY DAMAGE TO EXISTING REINFORCING STEEL, DURING CONTRACTOR'S OPERATIONS, SHALL BE REPAIRED AS DIRECTED BY THE ENGINEER AND PERFORMED AT NO ADDITIONAL COST TO THE DEPARTMENT.
- FOR ADHESIVELY ANCHORED DOWELS OR ANCHOR BOLTS, SEE STANDARD SPECIFICATIONS.
- FOR SHOTCRETE REPAIRS, SEE SPECIAL PROVISIONS.
- FOR CONCRETE REPAIRS, SEE SPECIAL PROVISIONS.
- FOR EPOXY RESIN INJECTION (ERT), SEE SPECIAL PROVISIONS.

LAP SPLICE TABLE	
BAR SIZE	LAP SPLICE LENGTH
4	1'-9"
5	2'-2"
6	2'-7"
7	3'-6"
8	4'-6"
9	5'-10"
10	7'-4"

BRIDGES: 170171, 170172, 170177, 170178
 480006, 480007, 480051, 480054
 480065, 480066, 480072, 480073
 480096, 480102, 480104, 480109
 480123, 480124

PROJECT NO. I-5915B
 COUNTY _____
 BRIDGE NO. MULTIPLE

SHEET 1 OF 2



STATE OF NORTH CAROLINA
 DEPARTMENT OF TRANSPORTATION
 RALEIGH
CONCRETE RESTORATION DETAILS

DRAWN BY : DIEGO A. AGUIRRE DATE : 01/2022
 CHECKED BY : JACOB H. DUKE DATE : 01/2022
 DESIGN ENGINEER OF RECORD: DIEGO A. AGUIRRE DATE : 01/2022

4/21/2022
 I5915B_SMU_CR01.dgn
 daquirre

DOCUMENT NOT CONSIDERED FINAL UNLESS ALL SIGNATURES COMPLETED

REVISIONS						SHEET NO. S6
NO.	BY:	DATE:	NO.	BY:	DATE:	
1			3			TOTAL SHEETS 9
2			4			