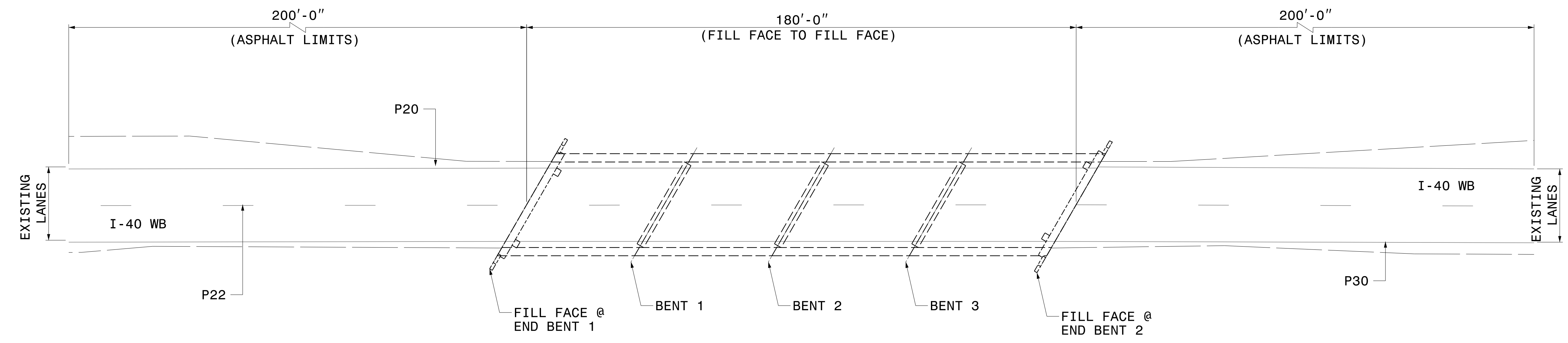
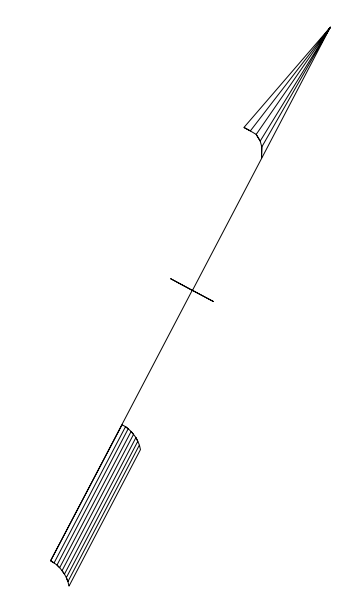


STRUCTURE 480054 PAVEMENT MARKING SCHEDULE

SYMBOL	DESCRIPTION	QUANTITY
PAINT		
P20	WHITE EDGELINE (6")	580 LF
P22	WHITE 10 FT. WHITE SKIP (6")	145 LF
P23	WHITE 3 FT.-9 FT./SP WHITE MINISKIP (6")	- LF
P30	YELLOW EDGELINE (6")	580 LF

TIP NO. I - 5915B	SHEET NO. PMP - 9
APPROVED: _____	
DATE: _____	
SEAL	
DOCUMENT NOT CONSIDERED FINAL UNLESS ALL SIGNATURES COMPLETED	



10/13/2022
15915B_Sgn_PMP_480054.dgn
User:tdgurrre



PAVEMENT MARKING DETAIL