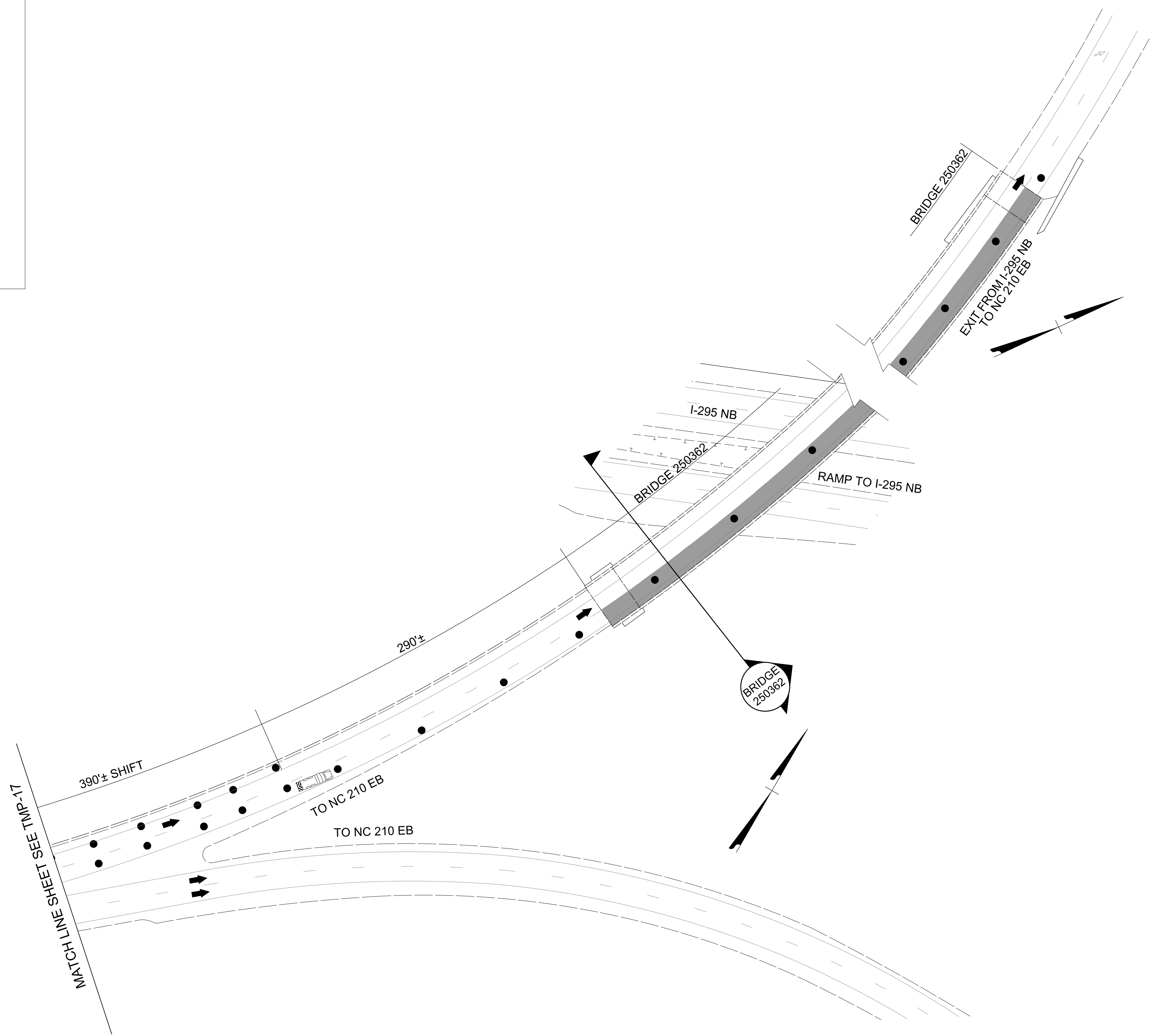
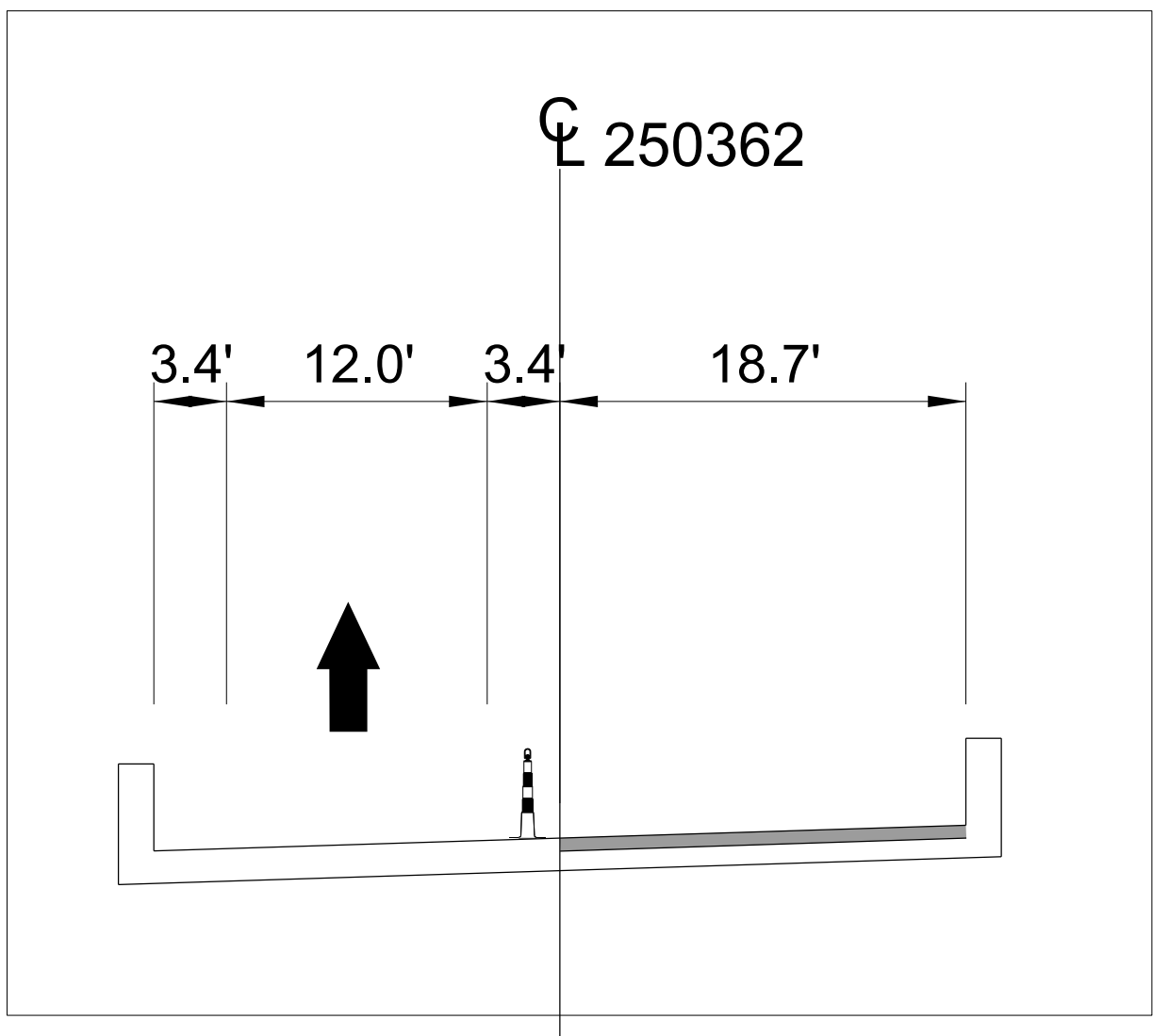
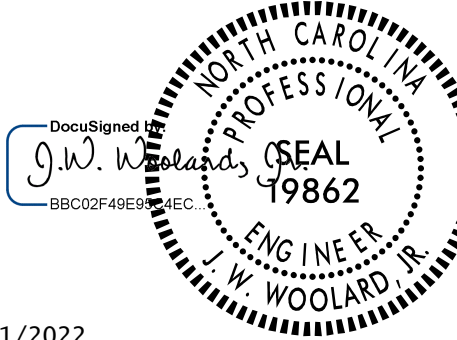


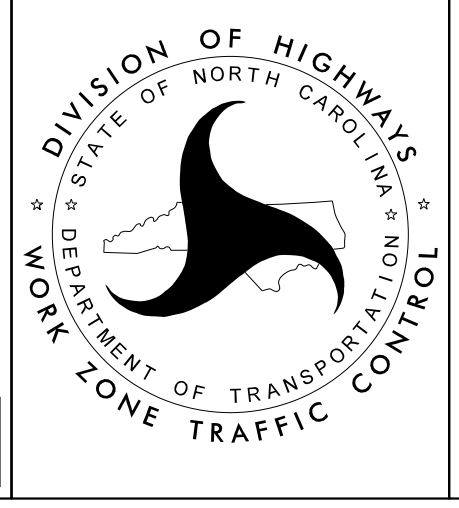
PROJ. REFERENCE NO.	SHEET NO.
15.BPR.58	TMP-18



10/20/2022
 U:\Traffic\Transportation Management\Plan\TCP\PLAN SHEETS\15BPR.58_TMP_18_362_PHASE_02.dgn
 dorichardson


 Stantec Consulting Services Inc.
 801 Jones Franklin Road
 Suite 300
 Raleigh, NC 27606
 Tel. 919.851.6866
 Fax. 919.851.7024
 www.stantec.com
 License No. F-0672

10/21/2022

**DOCUMENT NOT CONSIDERED FINAL
 UNLESS ALL SIGNATURES COMPLETED**



**BRIDGE 250362
 PHASE II**