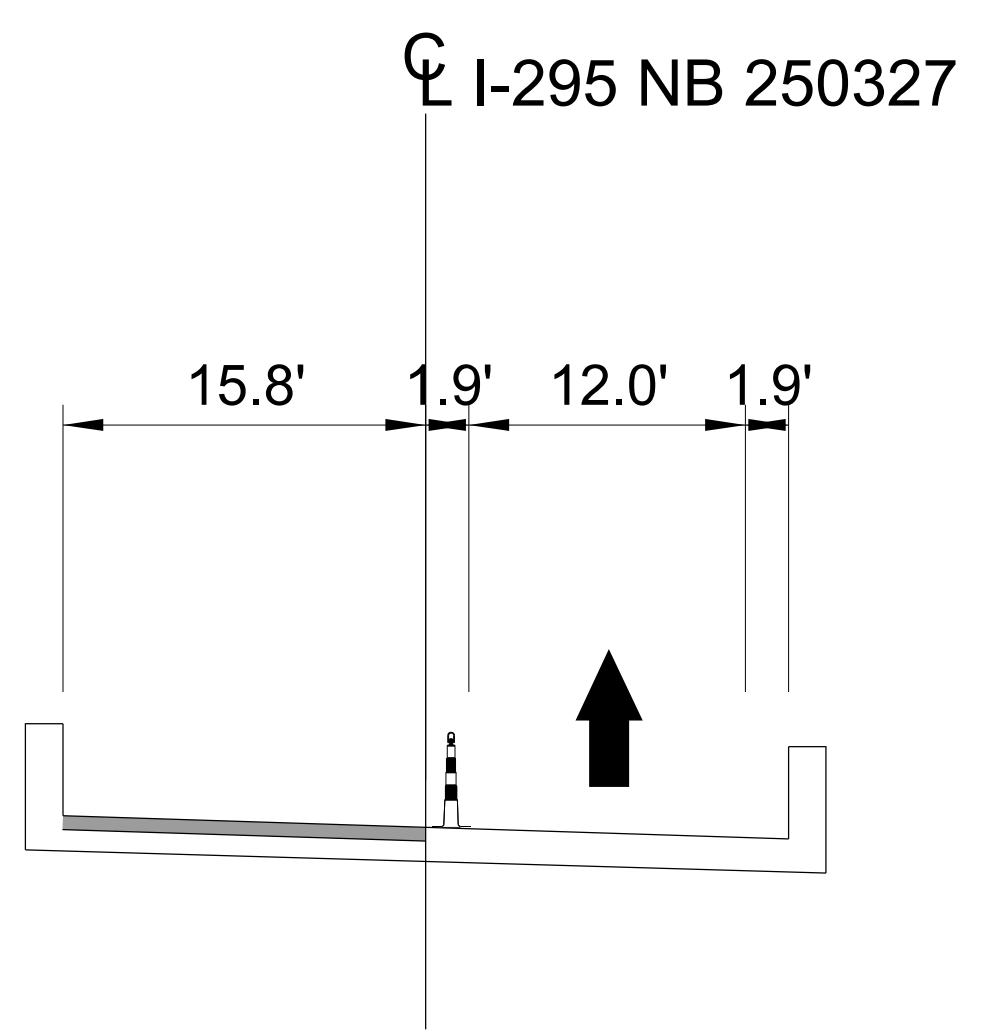


MATCH LINE SEE ABOVE

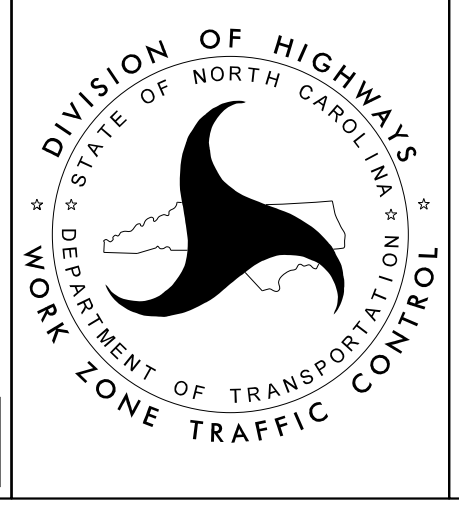


10/20/2022  
U:\Traffic\Transportation Management\Plan\TCP\PLAN SHEETS\15BPR.58-TMP-10-327\_PHASE\_02.dgn  
dorichardson

**Stantec**  
Stantec Consulting Services Inc.  
801 Jones Franklin Road  
Suite 300  
Raleigh, NC 27606  
Tel. 919.851.6866  
Fax. 919.851.7024  
www.stantec.com  
License No. F-0672

10/21/2022

**DOCUMENT NOT CONSIDERED FINAL  
UNLESS ALL SIGNATURES COMPLETED**



**BRIDGE 250327  
PHASE II**