

PHASING

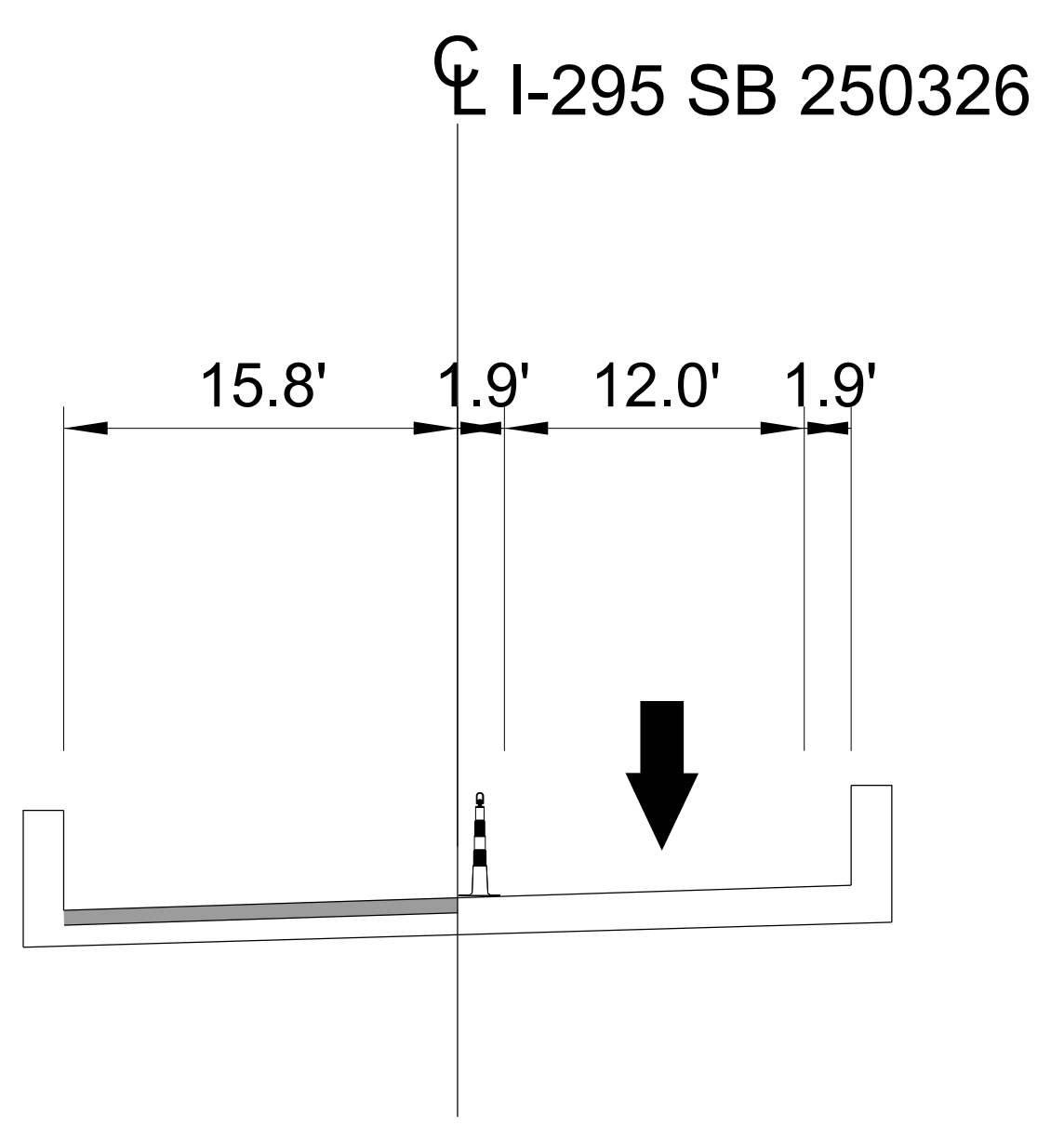
BRIDGE 250326

PRIOR TO ANY WORK OPERATIONS, INSTALL WORK ZONE ADVANCE WARNING SIGNS PER RSD 1101.01, SHEET 1 OF 3.

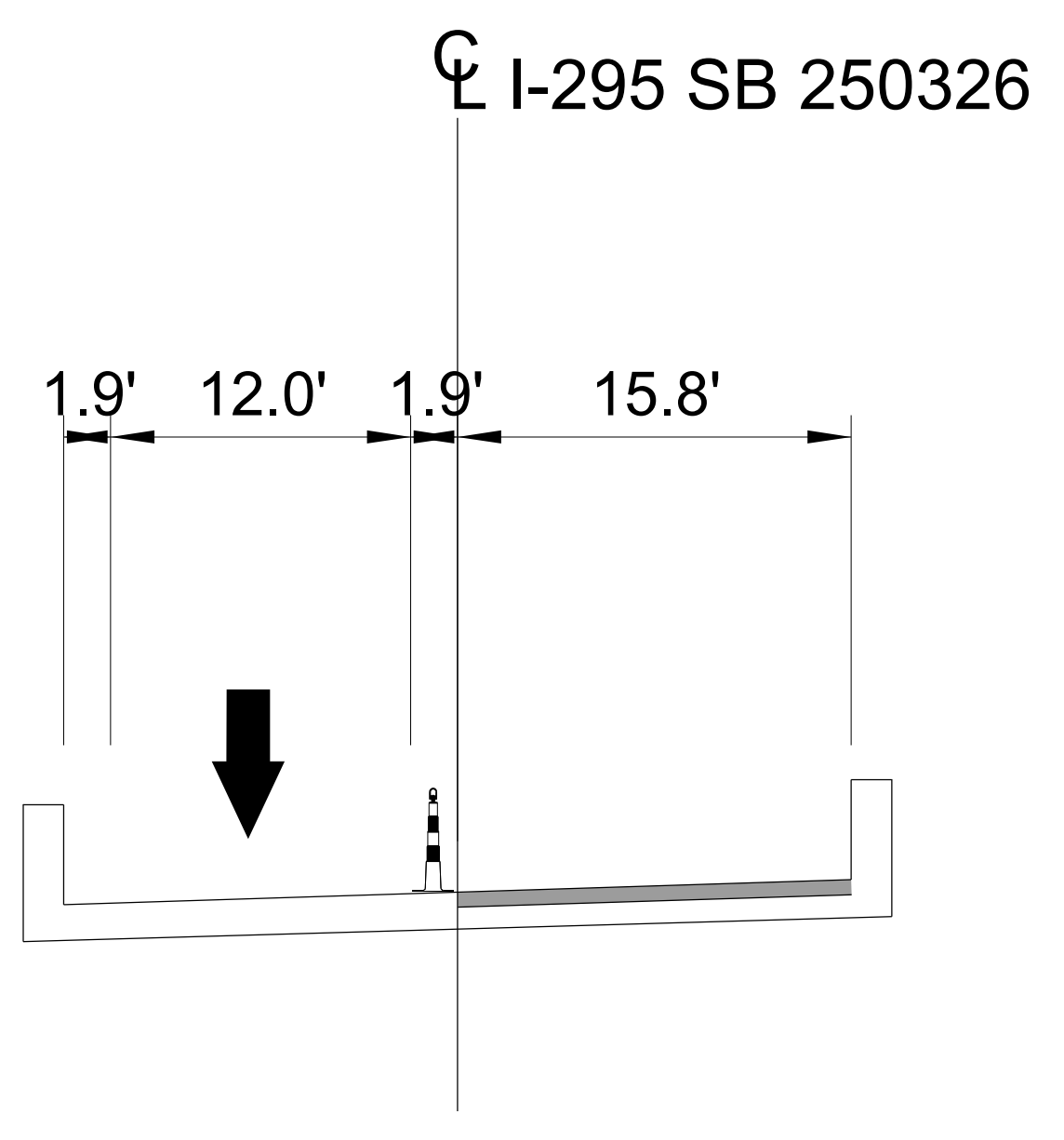
USING TEMPORARY LANE CLOSURES PER RSD 1101.02, SHEET 4 OF 14, PERFORM THE FOLLOWING, IN ORDER, ON STRUCTURE 250326:

- 1- PERFORM SHOTBLASTING AND SILANE DECK TREATMENT ON A SECTION OF THE BRIDGE DECK.
- 2- INSTALL FINAL PAVEMENT MARKINGS ON THIS SECTION OF THE BRIDGE DECK. (SEE PM PLANS)
- 3- REMOVE ANY TRAFFIC CONTROL DEVICES AND OPEN TO FINAL TRAFFIC PATTERN.
- 4- REPEAT STEPS 1-3 UNTIL THE ENTIRE BRIDGE DECK IS COMPLETE.


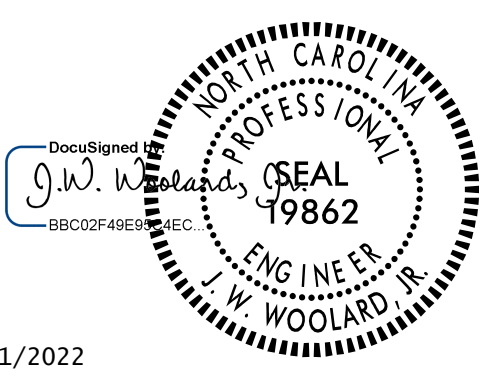
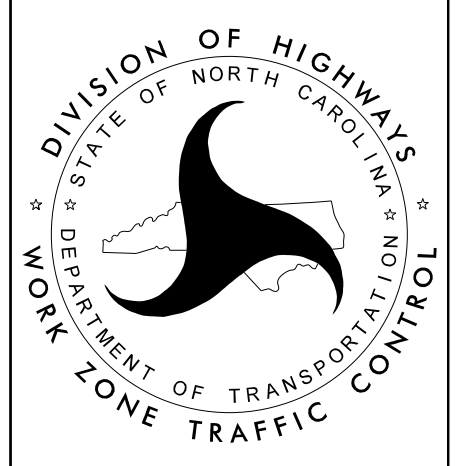
SEE RSD 1101.02 4/14



SEE RSD 1101.02 4/14



10/20/2022
 U:\Traffic\Transportation Management\Plan\TCP\PLAN SHEETS\58BPR_58_TMP_04_326_PHASING.dgn
 dorichardson

 <p>Stantec Consulting Services Inc. 801 Jones Franklin Road Suite 300 Raleigh, NC 27606 Tel. 919.851.6866 Fax. 919.851.7024 www.stantec.com License No. F-0672</p>	<p>DocuSigned by: <i>J.W. Woolard</i> BB0C0F49E1EC</p>  <p>10/21/2022</p> <p>DOCUMENT NOT CONSIDERED FINAL UNLESS ALL SIGNATURES COMPLETED</p>		<p>BRIDGE 250326</p>
---	---	---	----------------------