

NOTES

FOR BRIDGE APPROACH FILL INCLUDING GEOTEXTILE, 6" Ø DRAINAGE PIPE, AND SELECT MATERIAL BACKFILL, SEE ROADWAY PLANS.

GEOTEXTILE SHALL BE TYPE 1 IN ACCORDANCE WITH THE STANDARD SPECIFICATIONS SECTION 1056.

SELECT MATERIAL BACKFILL (CLASS V OR CLASS VI) SHALL BE IN ACCORDANCE WITH STANDARD SPECIFICATIONS SECTION 1016.

SELECT MATERIAL BACKFILL IS TO BE CONTINUOUS ALONG FILL FACE OF BACKWALL FROM OUTSIDE EDGE TO OUTSIDE EDGE OF APPROACH SLAB.

APPROACH SLAB SHALL NOT BE CONSTRUCTED PRIOR TO COMPLETION OF THE BRIDGE DECK.

FOR THE 6" Ø DRAINAGE PIPE OUTLET(S), SEE ROADWAY STANDARD DRAWINGS.

AREA BETWEEN THE WINGWALL AND APPROACH SLAB SHALL BE GRADED TO DRAIN THE WATER AWAY FROM THE FILL FACE OF THE BRIDGE AND SHALL BE PAVED. SEE ROADWAY PLANS.

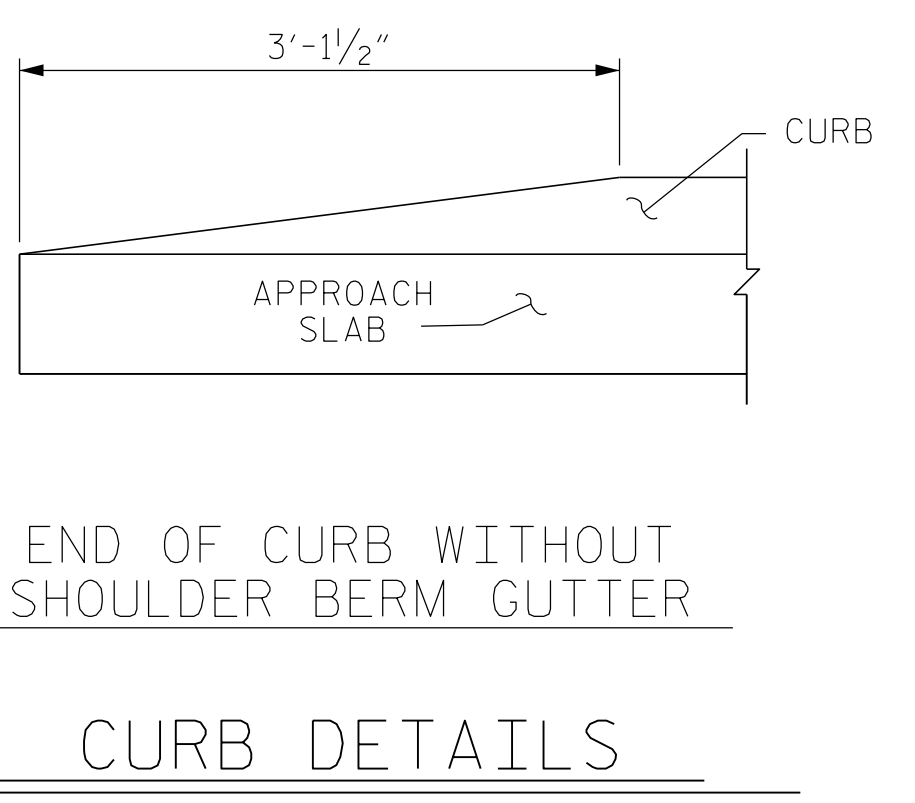
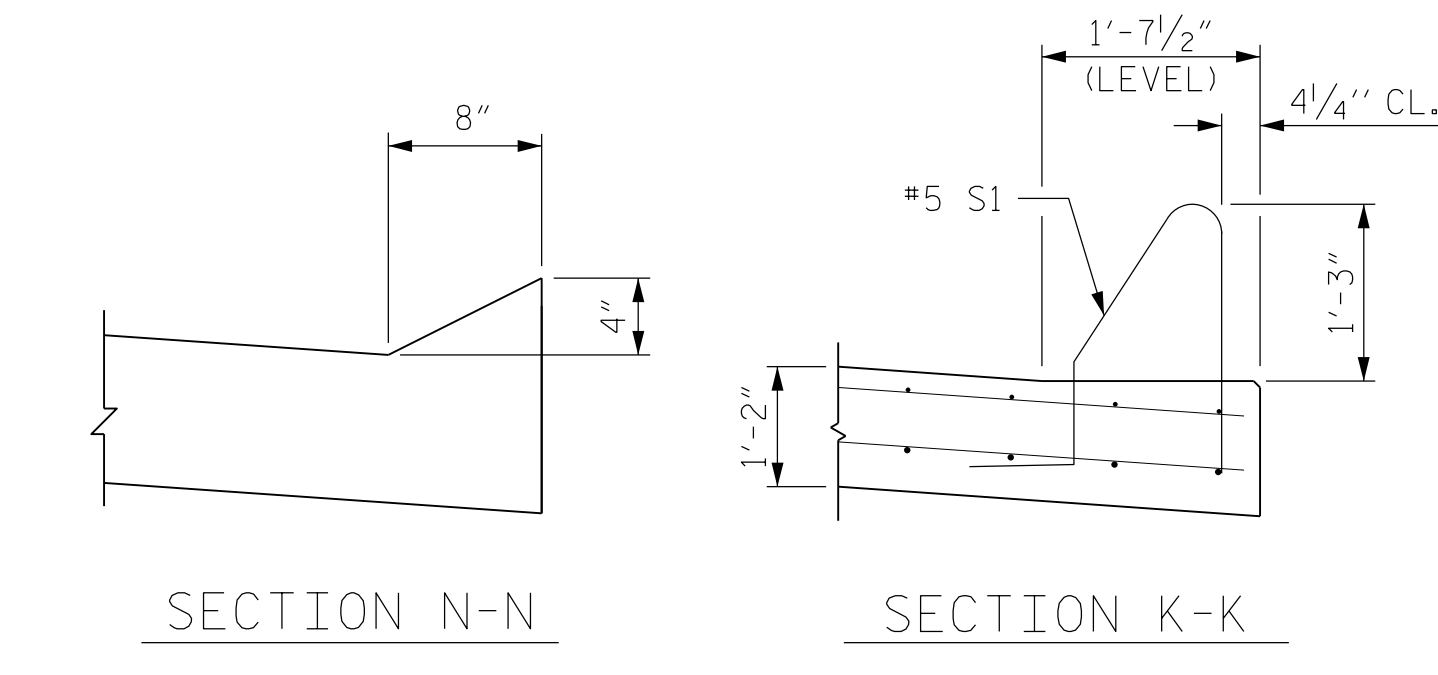
FOR STRIP SEAL EXPANSION JOINT, SEE SPECIAL PROVISIONS.

BILL OF MATERIAL

FOR ONE APPROACH SLAB (2 REQ'D)

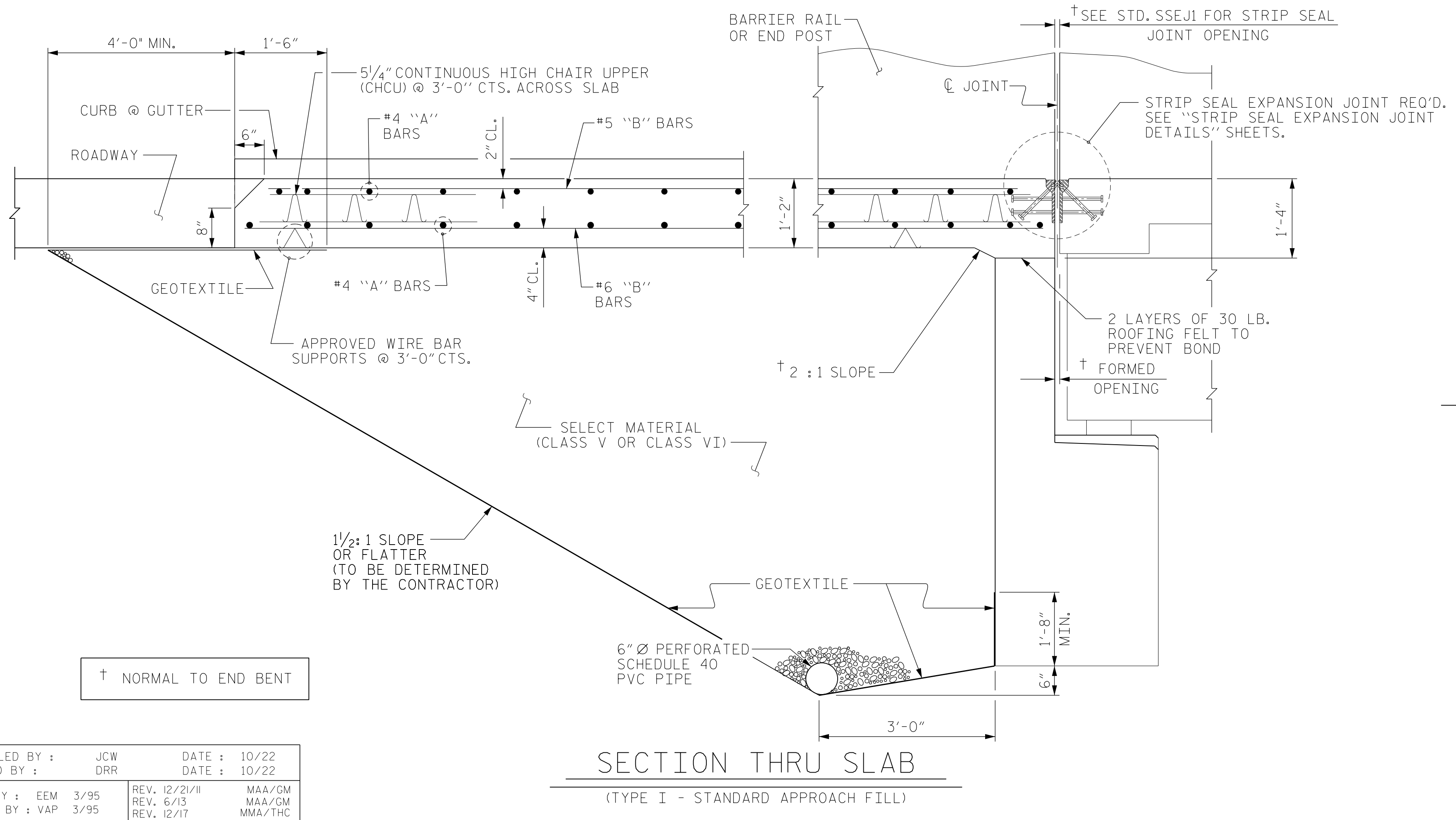
BAR	NO.	SIZE	TYPE	LENGTH	WEIGHT
*A1	50	#4	STR	22'-4"	746
A2	52	#4	STR	22'-2"	770
*B1	74	#5	STR	24'-0"	1,852
B2	74	#6	STR	24'-7"	2,732
*B3	2	#5	STR	10'-0"	21
B4	2	#6	STR	10'-0"	30
*B5	2	#5	STR	9'-9"	20
B6	2	#6	STR	9'-9"	29
REINFORCING STEEL **					3,561 LBS.
*EPOXY COATED REINFORCING STEEL **					2,639 LBS.
CLASS AA CONCRETE **					47.6 C.Y.

** QUANTITIES FOR BARRIER RAIL ARE NOT INCLUDED. SEE SHEET 2 OF 2.

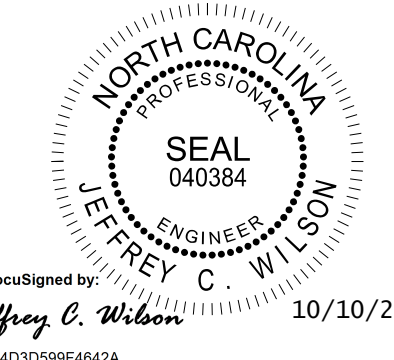


SPLICE LENGTHS

BAR SIZE	EPOXY COATED	UNCOATED
#4	2'-0"	1'-9"
#5	2'-6"	2'-2"
#6	3'-10"	2'-7"



PROJECT NO. BR-0070
CASWELL COUNTY
STATION: 30+57.00 -L-



DOCUMENT NOT CONSIDERED FINAL UNLESS ALL SIGNATURES COMPLETED

Firm License No. C-1051
223 S West St,
Suite 1100
Raleigh, NC 27603
T 919.380.8750
www.stewartinc.com

SHEET 1 OF 2

STATE OF NORTH CAROLINA
DEPARTMENT OF TRANSPORTATION
RALEIGH

STANDARD

BRIDGE APPROACH SLAB FOR FLEXIBLE PAVEMENT

REVISIONS					
NO.	BY:	DATE:	NO.	BY:	DATE:
1			3		
2			4		

SHEET NO. S-38
TOTAL SHEETS 39

BR-0070
10/10/2022
BR-0070-SMU.ASI.160061.dgn
USER: jwilson

ASSEMBLED BY : JCW	DATE : 10/22
CHECKED BY : DRR	DATE : 10/22
DRAWN BY : EEM 3/95	REV. 12/21/11 MAA/GM
CHECKED BY : VAP 3/95	REV. 6/13 MAA/GM
	REV. 12/17 MMA/THC