

0.6" Ø L. R. GRADE 270 STRANDS		
AREA (SQUARE INCHES)	ULTIMATE STRENGTH (LBS. PER STRAND)	APPLIED PRESTRESS (LBS. PER STRAND)
0.217	58,600	43,950

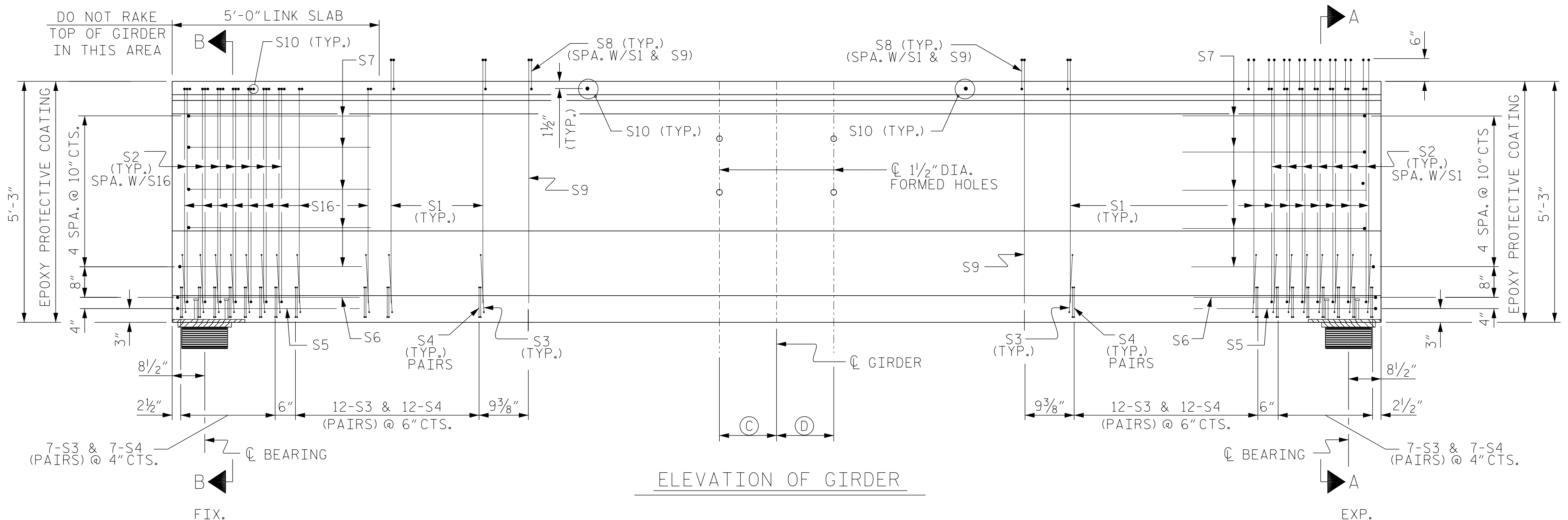
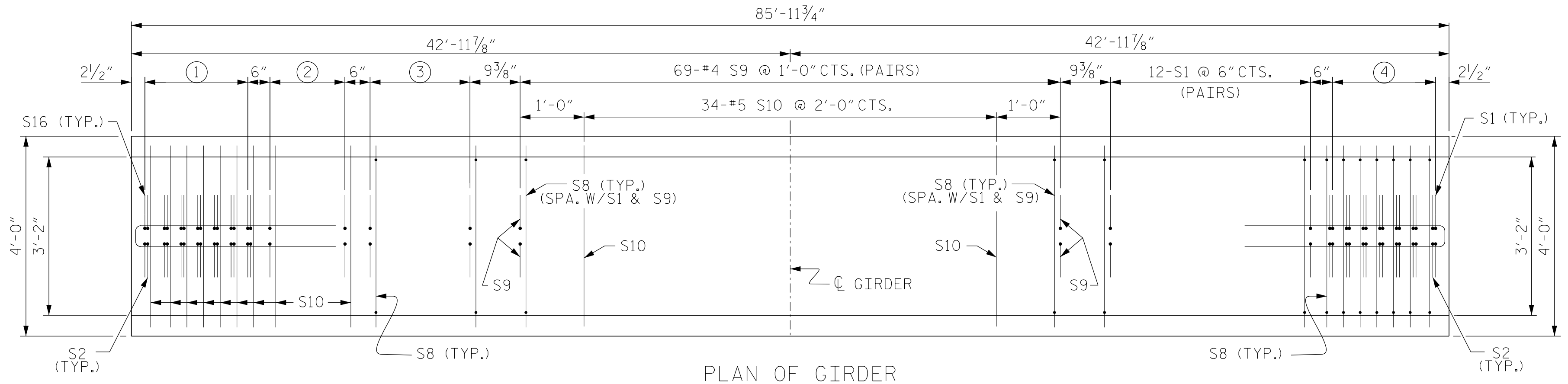
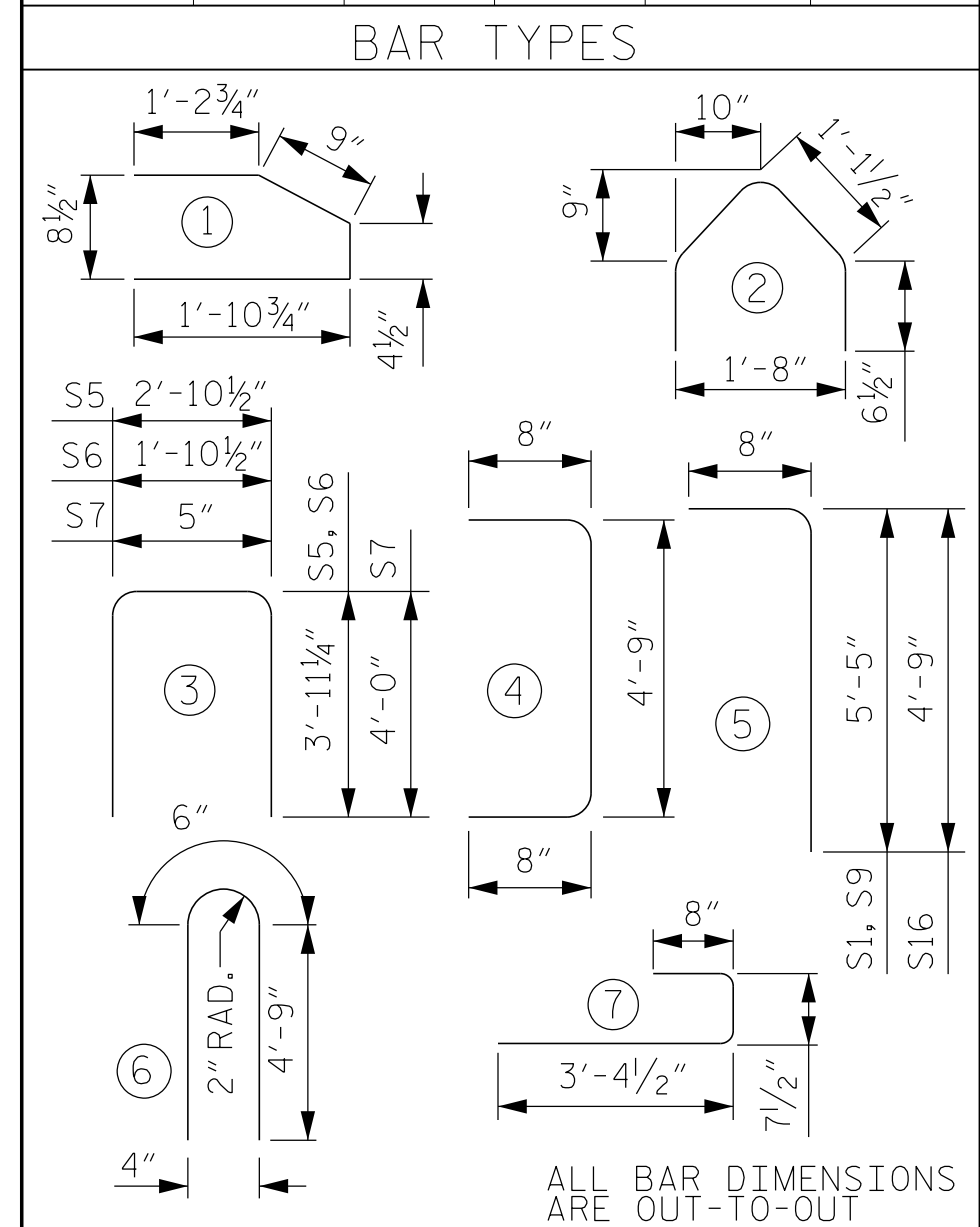
REINFORCING STEEL FOR ONE GDR						
BAR	NUMBER	SIZE	TYPE	LENGTH	WEIGHT	
S1	52	#5	5	6'-1"	330	
S2	28	#5	4	6'-1"	178	
S3	38	#3	2	3'-4"	48	
S4	76	#3	1	4'-3"	121	
S5	2	#5	3	10'-9"	22	
S6	2	#5	3	9'-9"	20	
S7	10	#4	3	8'-5"	56	
S8	190	#5	7	4'-8"	925	
S9	138	#4	5	6'-1"	561	
S10	46	#5	STR	3'-8"	176	
EXT. S12	4	#5	6	10'-0"	42	
INT. S12	8	#5	6	10'-0"	83	
EXT. S14	5	#4	STR	8'-0"	27	
INT. S15	5	#4	STR	14'-3"	48	
S16	24	#5	5	5'-5"	136	

- ① 7-S16 & S2 @ 4" CTS. (PAIRS)
- ② 5-S16 @ 6" CTS. (PAIRS)
- ③ 7-S1 @ 6" CTS. (PAIRS)

- ④ 7-S1 & S2 @ 4" CTS. (PAIRS)

DEBONDING LEGEND  
 ● FULLY BONDED STRANDS

GIRDER	C	D
AG1	-	3'-1 1/4"
AG2 & AG3	3'-1 1/4"	3'-1 1/4"
AG4	3'-1 1/4"	-



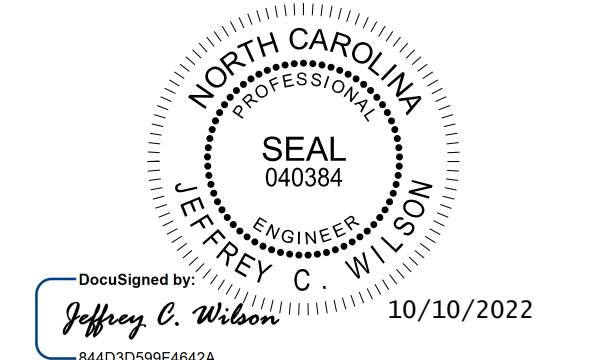
NOTES  
 FOR PARTIAL ELEVATIONS REFERENCING SECTION C-C, SEE "PRESTRESSED CONCRETE GIRDER FOR LINK SLAB DETAILS" SHEET 4 OF 5.

	QUANTITIES FOR ONE GIRDER		
	REINFORCING STEEL LB.	8,000 PSI CONCRETE C.Y.	0.6" Ø L.R. STRANDS No.
EXTERIOR GIRDER	2,642	22.1	26
INTERIOR GIRDER	2,704	22.1	26

GIRDERS REQUIRED		
NUMBER	LENGTH	TOTAL LENGTH
4	85'-11 3/4"	343'-11"

PROJECT NO. BR-0070  
 CASWELL COUNTY  
 STATION: 30+57.00 -L-

SHEET 3 OF 5  
 STATE OF NORTH CAROLINA  
 DEPARTMENT OF TRANSPORTATION  
 RALEIGH  
 SUPERSTRUCTURE  
 63" F.I.B. PRESTRESSED  
 CONCRETE GIRDER  
 SPAN C



DOCUMENT NOT CONSIDERED FINAL UNLESS ALL SIGNATURES COMPLETED



REVISIONS						SHEET NO. S-14
NO.	BY:	DATE:	NO.	BY:	DATE:	
1			3			TOTAL SHEETS 39
2			4			

DRAWN BY: J. WILSON DATE: 10/22  
 CHECKED BY: D. RUGGLES DATE: 10/22  
 DESIGN ENGINEER OF RECORD: J. WILSON DATE: 10/22

BR-0070  
 10/10/2022  
 BR-0070-SMU.G3.160061.dgn  
 USER: jwilson