

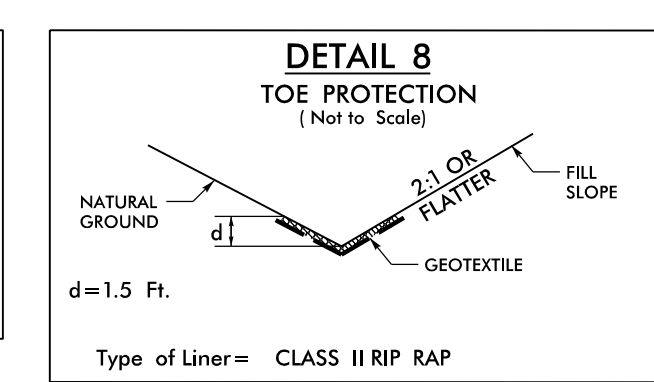
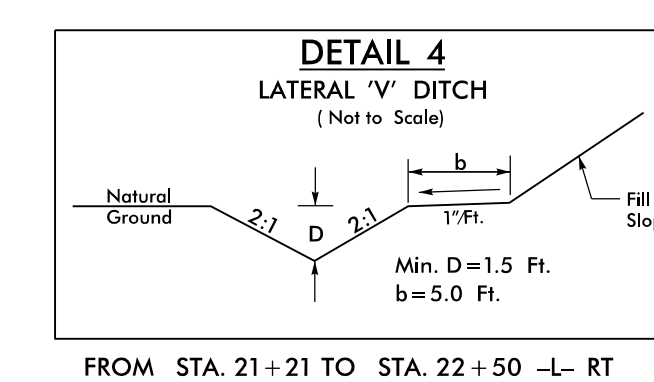
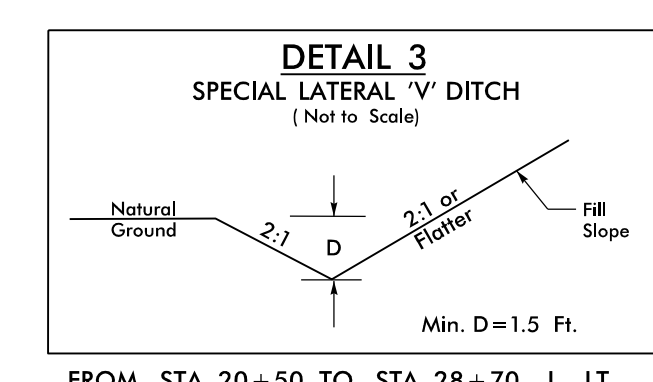
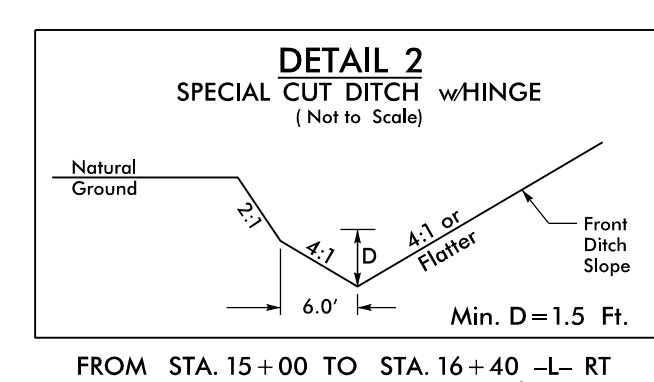
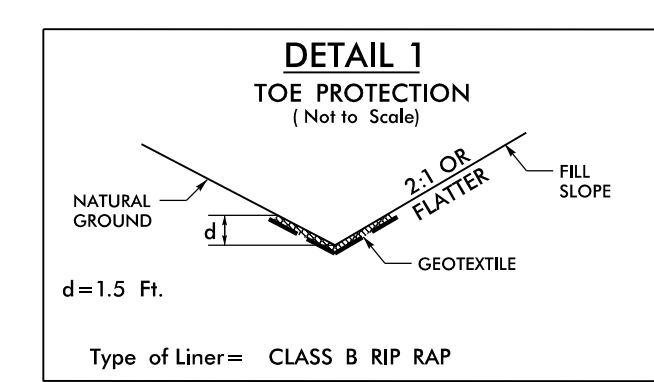


8.17.99

PROJECT REFERENCE NO. BR-0070	SHEET NO. EC-04/CONST.04
ROADWAY DESIGN ENGINEER	HYDRAULICS ENGINEER
 STEWART	 VHB VHB Engineering NC, P.C. (C-3705) 940 Main Campus Drive, Suite 500 Raleigh, NC 27606

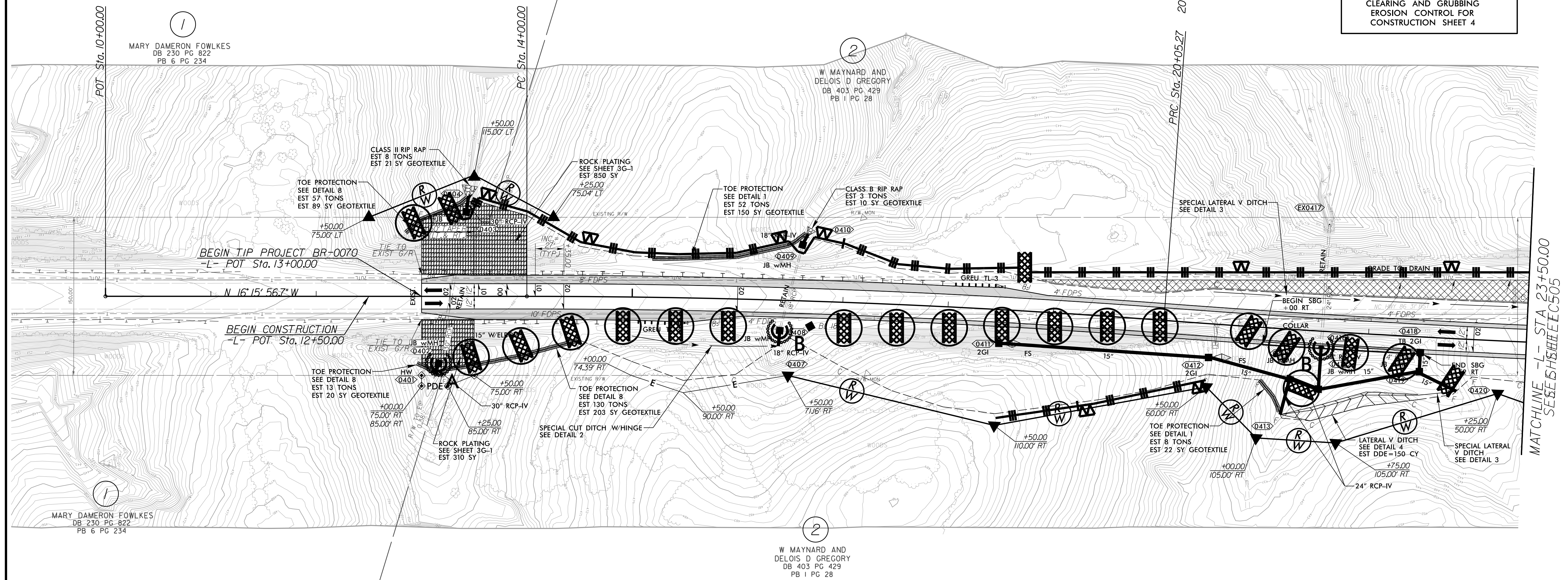
-L-
 PI Sta 17+02.78 Δ = 4' 18" 09.6" (RT)
 D = 0' 42" 39.1" L = 605.27'
 T = 302.78' R = 8,060.00'
 S_e = RC Runoff = 54'
 PI Sta 24+22.25 Δ = 4' 18" 09.6" (LT)
 D = 0' 30" 58.2" L = 833.56'
 T = 416.98' R = 11,000.00'
 S_e = NC



NAD 83/NA 2011

NOTE:
 PLACE TEMPORARY ROCK SEDIMENT DAMS - B
 AND TEMPORARY ROCK SILT CHECKS TYPE - A AT
 DRAINAGE OUTLETS.

CLEARING AND GRUBBING
 EROSION CONTROL FOR
 CONSTRUCTION SHEET 4



MATCHLINE -L- STA 23+50.00
 SEE SHEET EC505

FOR -L- PROFILE, SEE SHEET 7

9/28/2022 BR0070_EC.cg_psh04.dgn
 I:\STB\br0070