

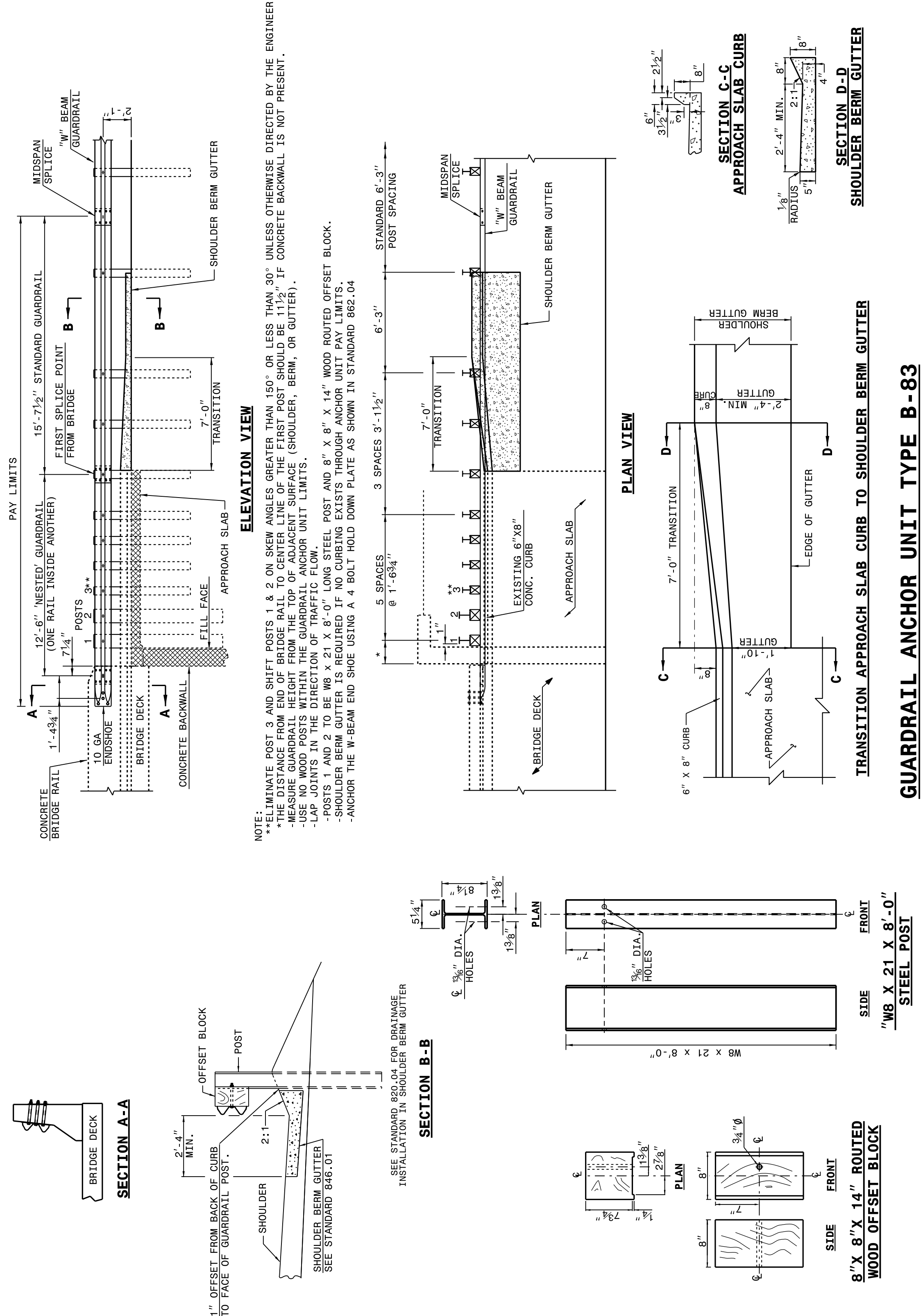
04-MAY-2017 14:54  
 S:\Contracts\2012\Standard Drawings\Details\2012 Standard Drawings\Details\862d03 862d03 862d03.dgn  
 Jhowerton - A1 CSP-24593

ROADWAY DETAIL DRAWING FOR  
**STRUCTURE ANCHOR UNITS**  
 GUARDRAIL ANCHOR UNIT TYPE B-83

ROADWAY DETAIL DRAWING FOR  
**STRUCTURE ANCHOR UNITS**  
 GUARDRAIL ANCHOR UNIT TYPE B-83

SHEET 6 OF 7  
**862D03**

SHEET 6 OF 7  
**862D03**

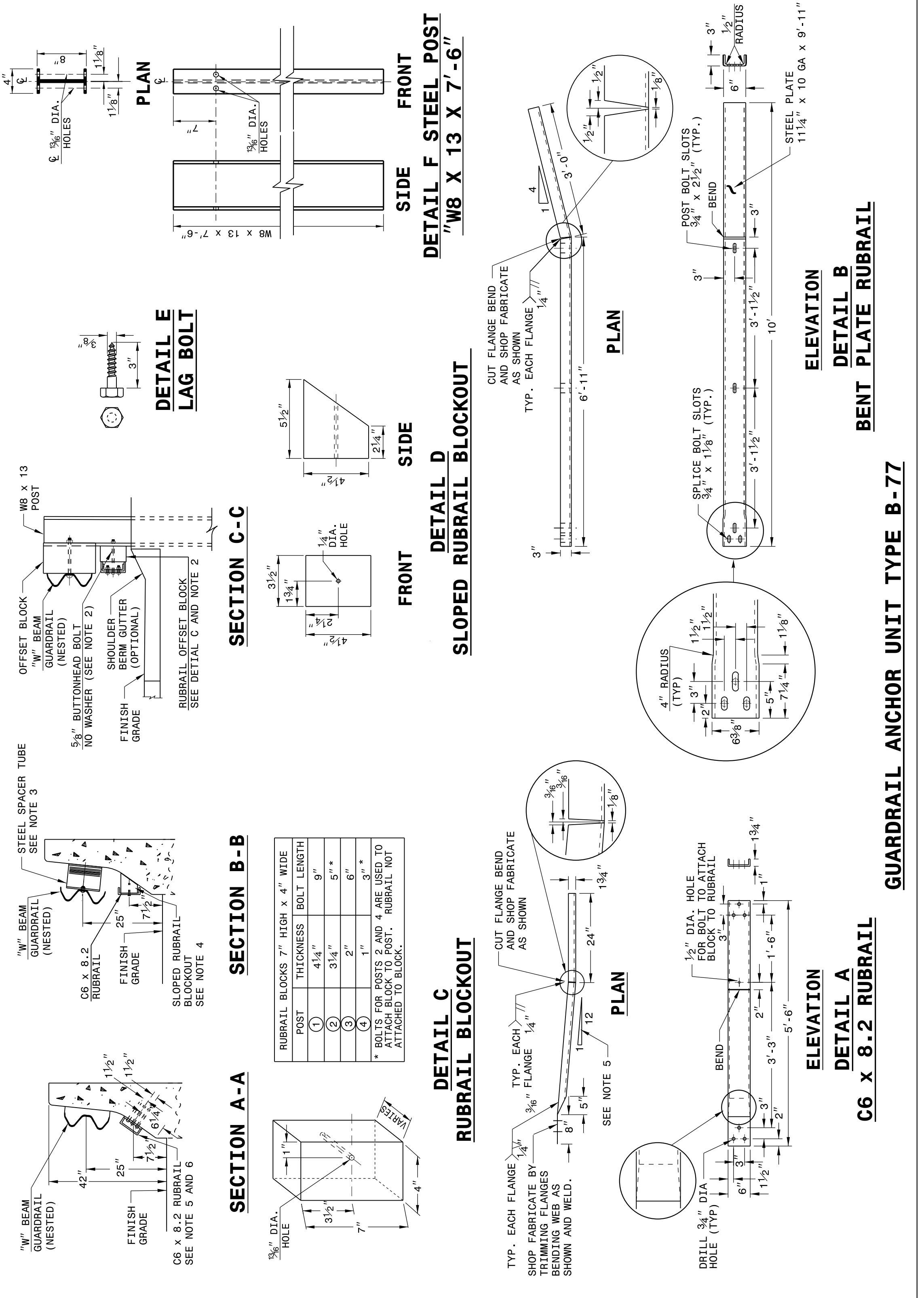


ROADWAY DETAIL DRAWING FOR  
**STRUCTURE ANCHOR UNIT**  
 GUARDRAIL ANCHOR UNIT TYPE B-77  
 FOR F-SHAPE BARRIER

ROADWAY DETAIL DRAWING FOR  
**STRUCTURE ANCHOR UNIT**  
 GUARDRAIL ANCHOR UNIT TYPE B-77  
 FOR F-SHAPE BARRIER

SHEET 5 OF 7  
**862D03**

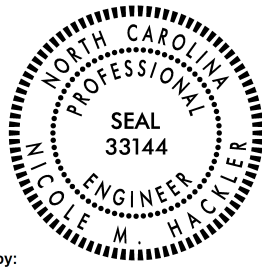
SHEET 5 OF 7  
**862D03**



ORIGINAL BY: J HOWERTON DATE: 06-22-12  
 MODIFIED BY: DATE:   
 CHECKED BY: DATE:   
 FILE SPEC.: DATE:

**CONTRACT STANDARDS AND DEVELOPMENT UNIT**  
 Office 919-707-6950 FAX 919-250-4119

**SEE TITLE BLOCK**



10/20/2022

DOCUMENT NOT CONSIDERED FINAL UNLESS ALL SIGNATURES COMPLETED