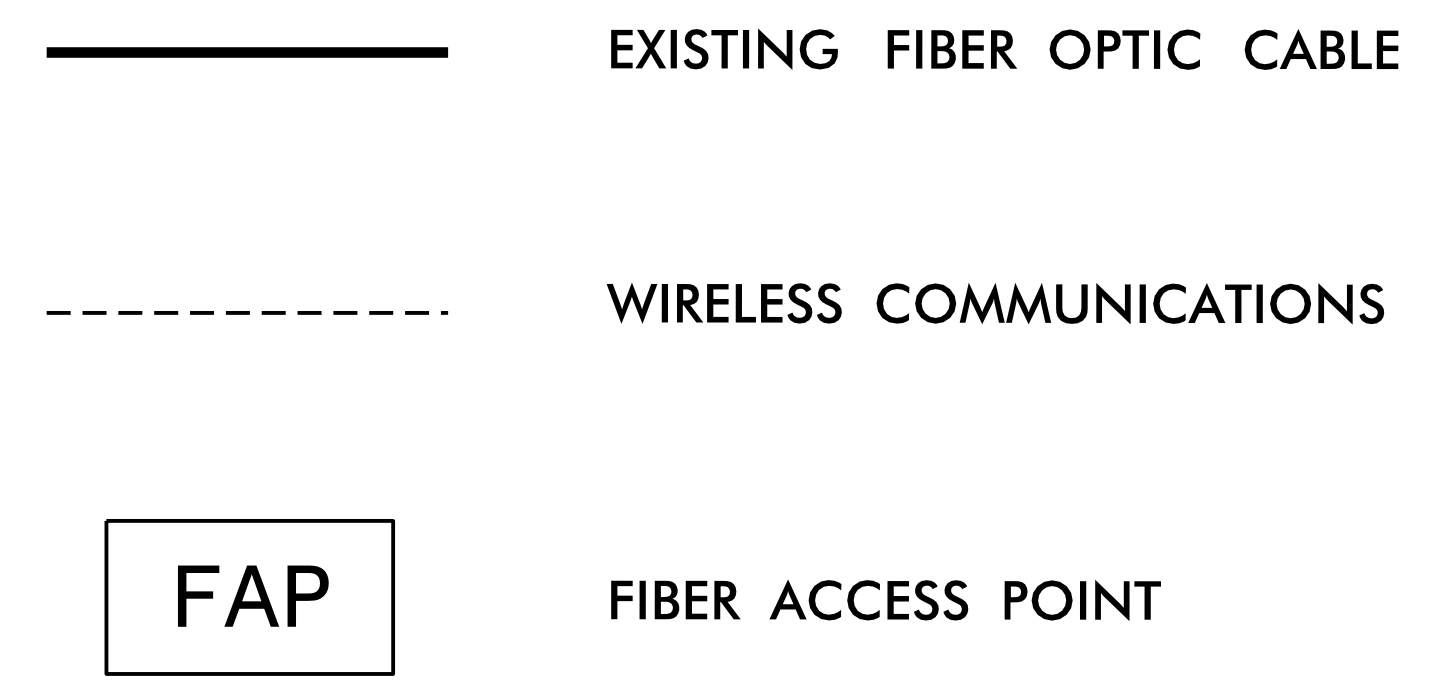
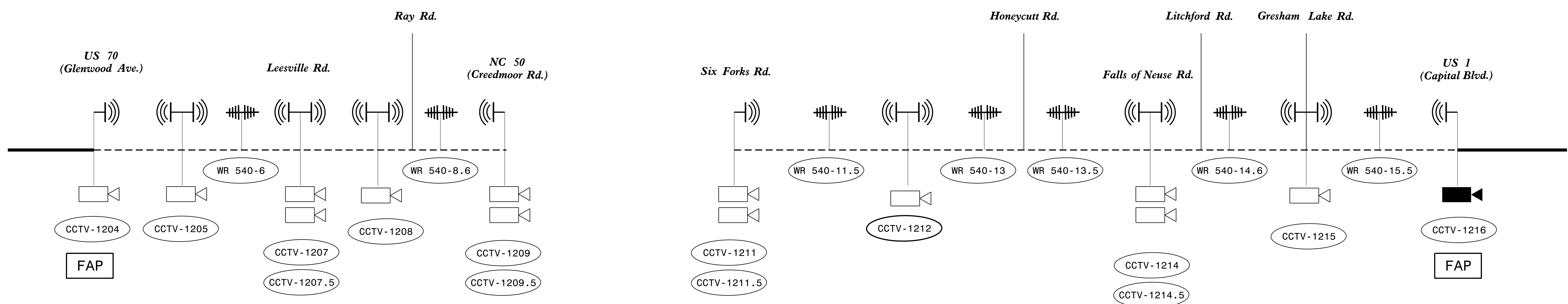


WIRELESS SYSTEM LAYOUT



**DOCUMENT NOT CONSIDERED FINAL
UNLESS ALL SIGNATURES COMPLETED**

	ITS DEVICE REPLACEMENT	
	DIVISION 05 WAKE CO.	
PLAN DATE: AUGUST 2021 PREPARED BY: J. WALDEN	REVIEWED BY: A. J. SKUCE, PE. REVIEWED BY:	SCALE: 0
REVISIONS _____ _____	INIT. DATE _____ _____	SEAL NORTH CAROLINA PROFESSIONAL ENGINEER ANDREW J. SKUCE 050152 DATE: 8/11/2021