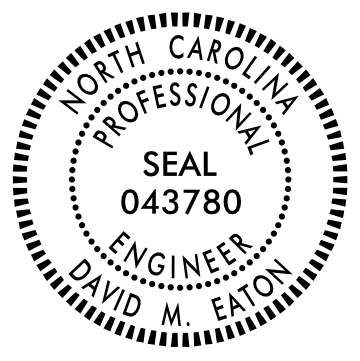


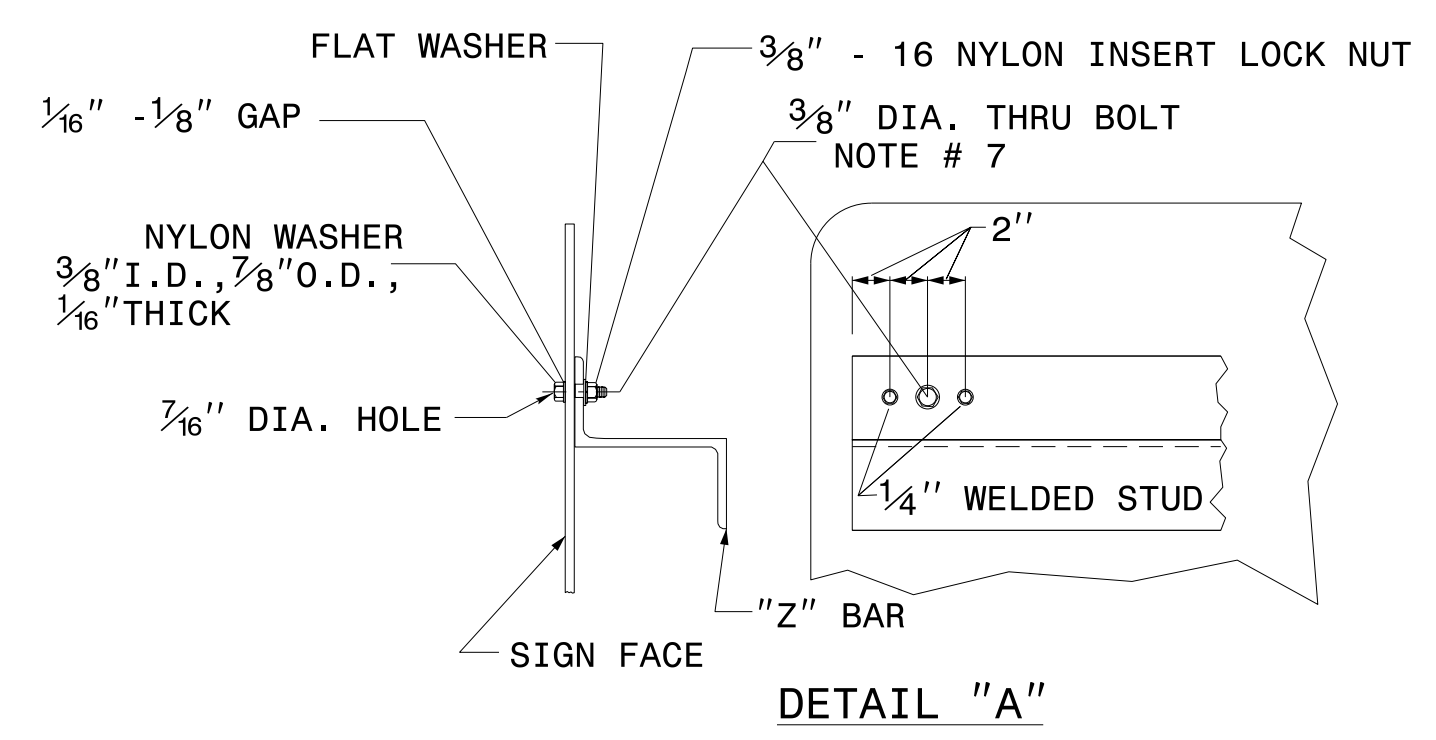
TIP NO. I - 5999	SHEET NO. SIGN - 1C
APPROVED: <u>David M. Eaton</u> DDA1CSP247484F7	
DATE: 9/3/2021	
SEAL	
	
DOCUMENT NOT CONSIDERED FINAL UNLESS ALL SIGNATURES COMPLETED	

STATE OF NORTH CAROLINA  
DEPT. OF TRANSPORTATION  
DIVISION OF HIGHWAYS  
RALEIGH, N.C.

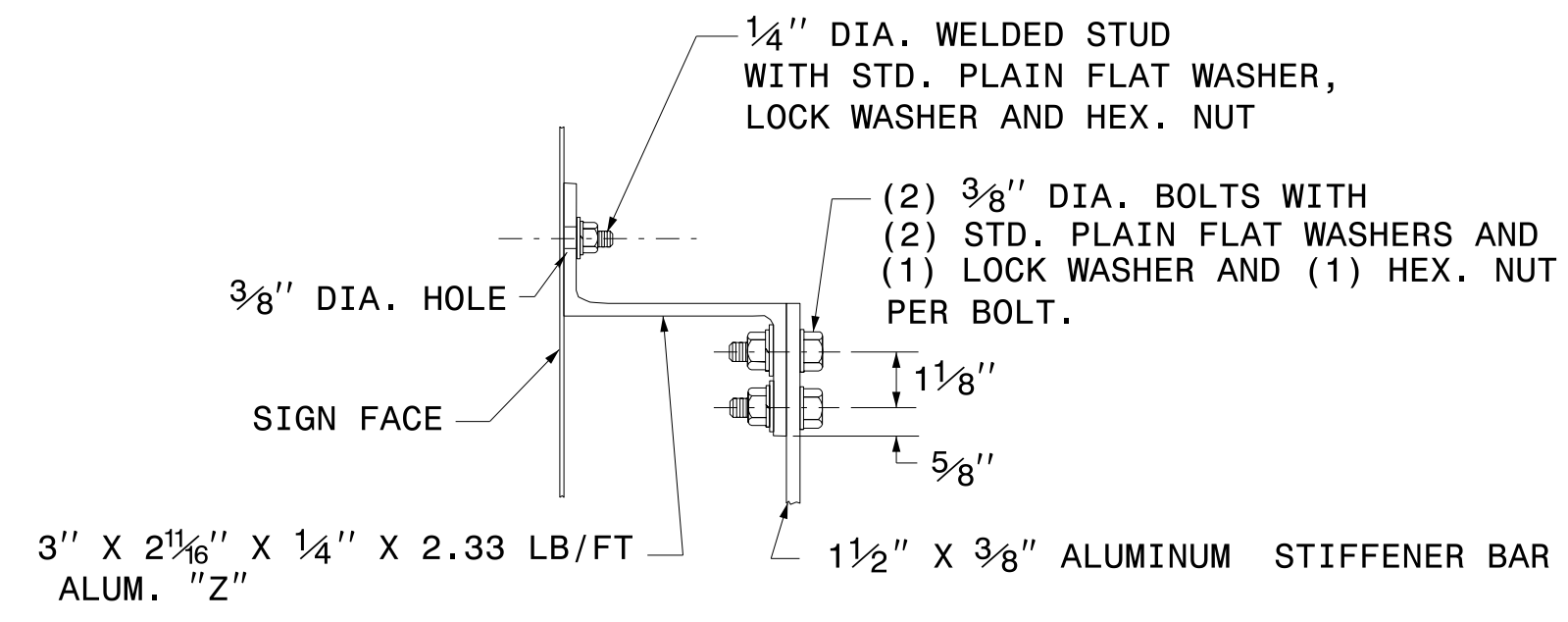
2-19

ENGLISH DETAIL DRAWING FOR  
**TYPE 'B' SIGNS**  
WELDED STUD CONSTRUCTION

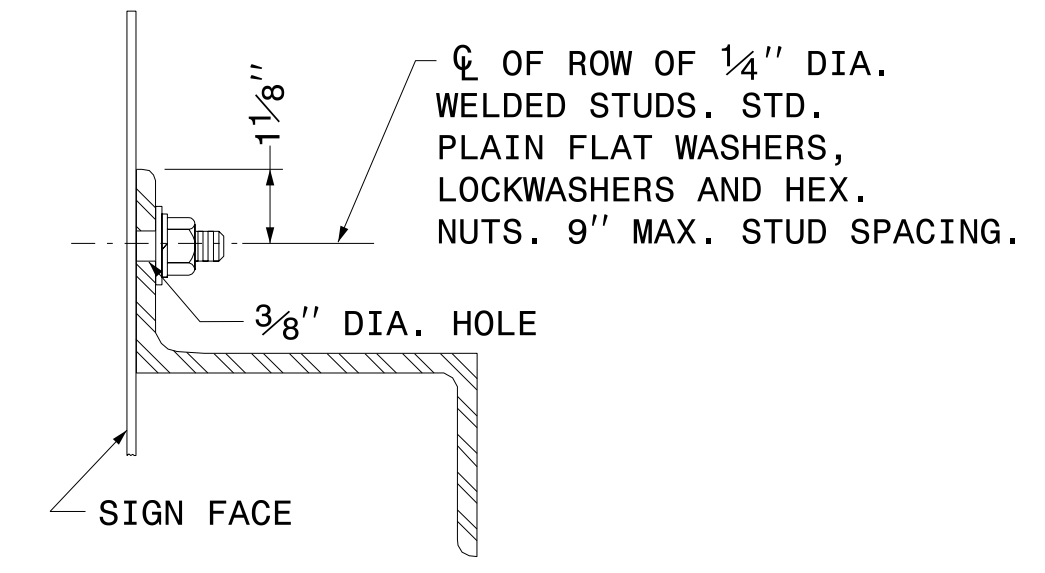
SHEET 1 OF 1  
**901D20**



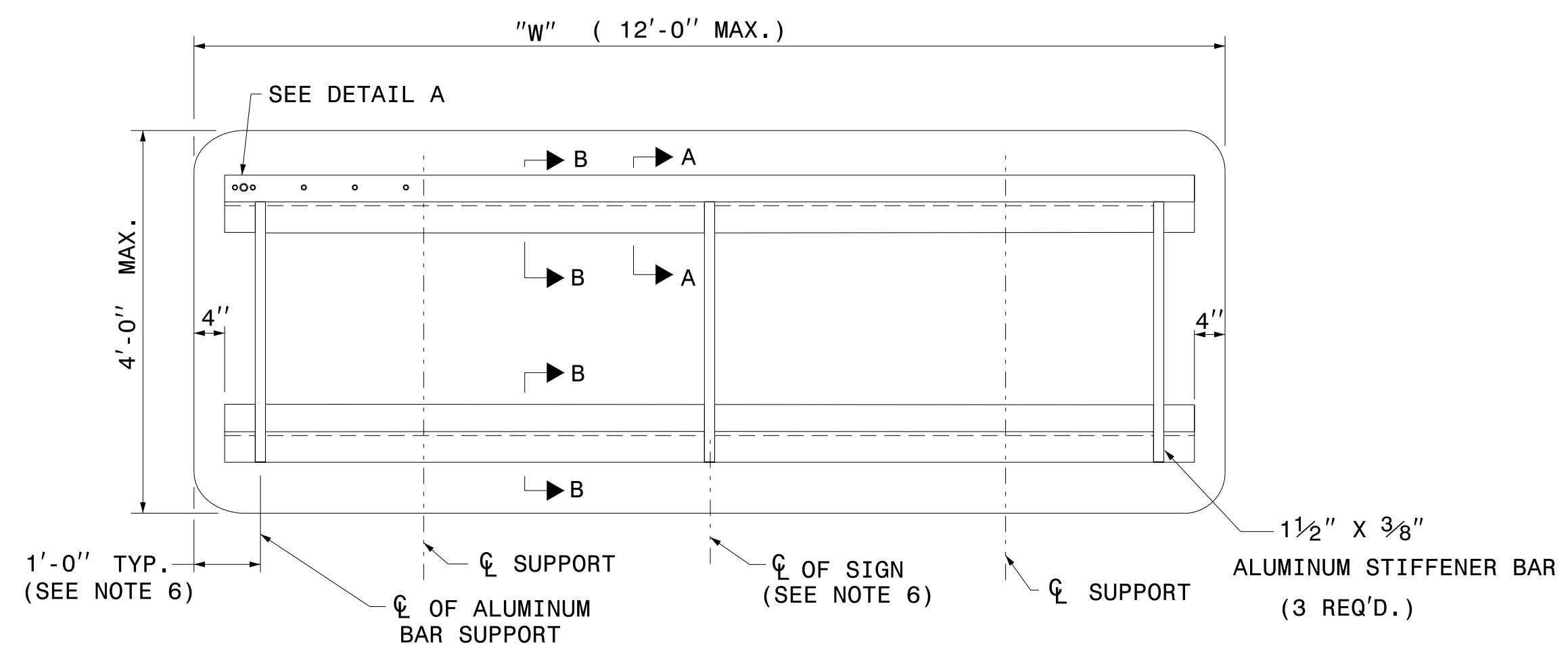
DETAIL "A"



SECTION A-A  
STIFFENER DETAIL



SECTION B-B



NOTES:

1. USE NUMBER AND SIZE OF SUPPORTS SHOWN ON SUPPORT CHART IN PROJECT PLAN SHEETS.
2. SEE NCDOT STANDARD SPECIFICATIONS FOR ROADS AND STRUCTURES FOR THE TYPE OF MATERIAL TO BE USED FOR SIGN PANELS, HANGER ASSEMBLIES AND SUPPORTS.
3. FURNISH ALL MOUNTING HARDWARE.
4. USE GALVANIZED STEEL FOR BACKING PLATES AND MOUNTING BOLTS.
5. THE VERTICAL DIMENSION BETWEEN PRIMARY AND SECONDARY SIGNS IS TWO (2) INCHES.
6. ADJUST STIFFENERS TO AVOID CONFLICT WITH SUPPORTS.
7. FABRICATE EACH SIGN WITH A 3/8" DIA. BOLT 4" FROM EACH END OF EACH "Z" BAR THRU SIGN PANEL AND "Z" BAR.
8. SEE ROADWAY STANDARD 901.70 FOR SUPPORT AND "Z" BAR SPACING.
9. SEE ROADWAY STANDARD 901.80 FOR DETAILS SHOWING SIGN MOUNTING TO SUPPORTS.
10. PLACE NYLON WASHER UNDER HEAD OF 3/8" THRU BOLT.
11. THRU BOLTS WILL HAVE A MINIMUM 1/16" TO MAXIMUM 1/8" GAP.

STATE OF NORTH CAROLINA  
DEPT. OF TRANSPORTATION  
DIVISION OF HIGHWAYS  
RALEIGH, N.C.

2-19

ENGLISH DETAIL DRAWING FOR  
**TYPE 'B' SIGNS**  
WELDED STUD CONSTRUCTION

SHEET 1 OF 1  
**901D20**

**REVISED SIGNING  
ROADWAY STANDARD DRAWING**

\$\$\$\$\$SYTIME\$\$\$\$\$  
\$\$\$\$\$USERNAME\$\$\$\$\$

3-14-19