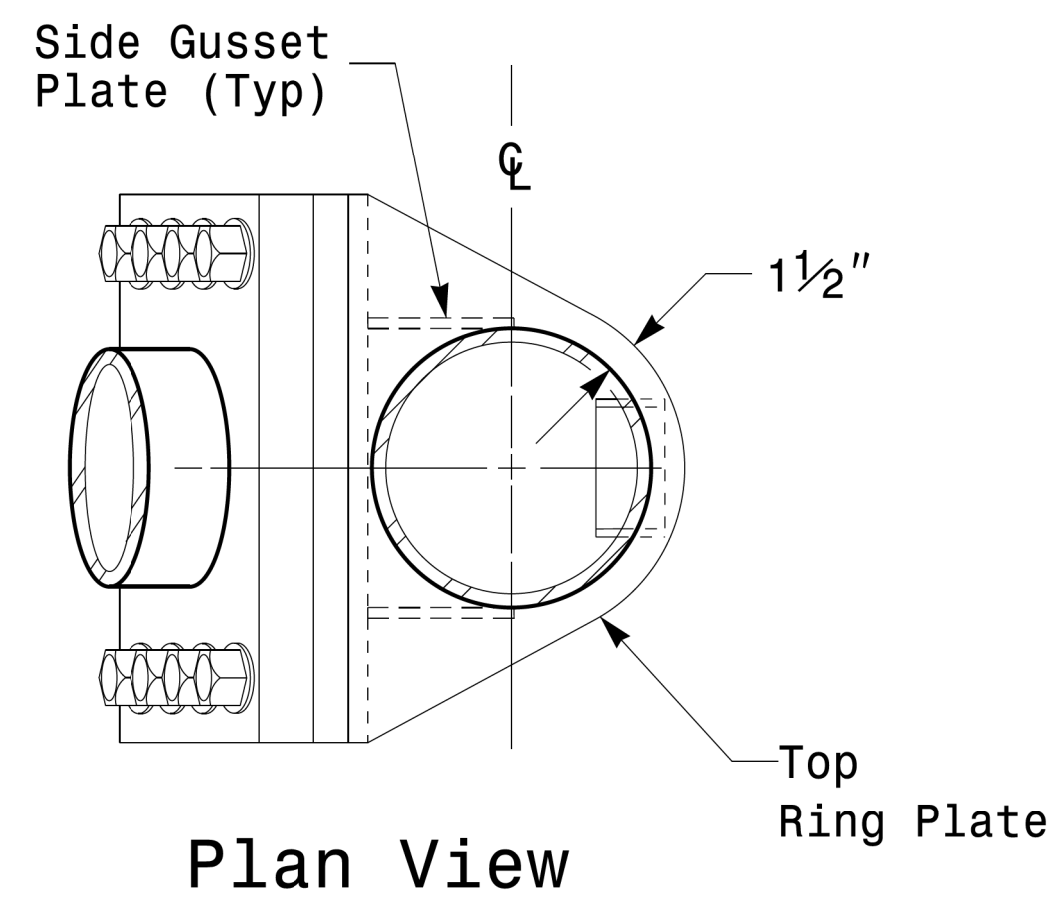
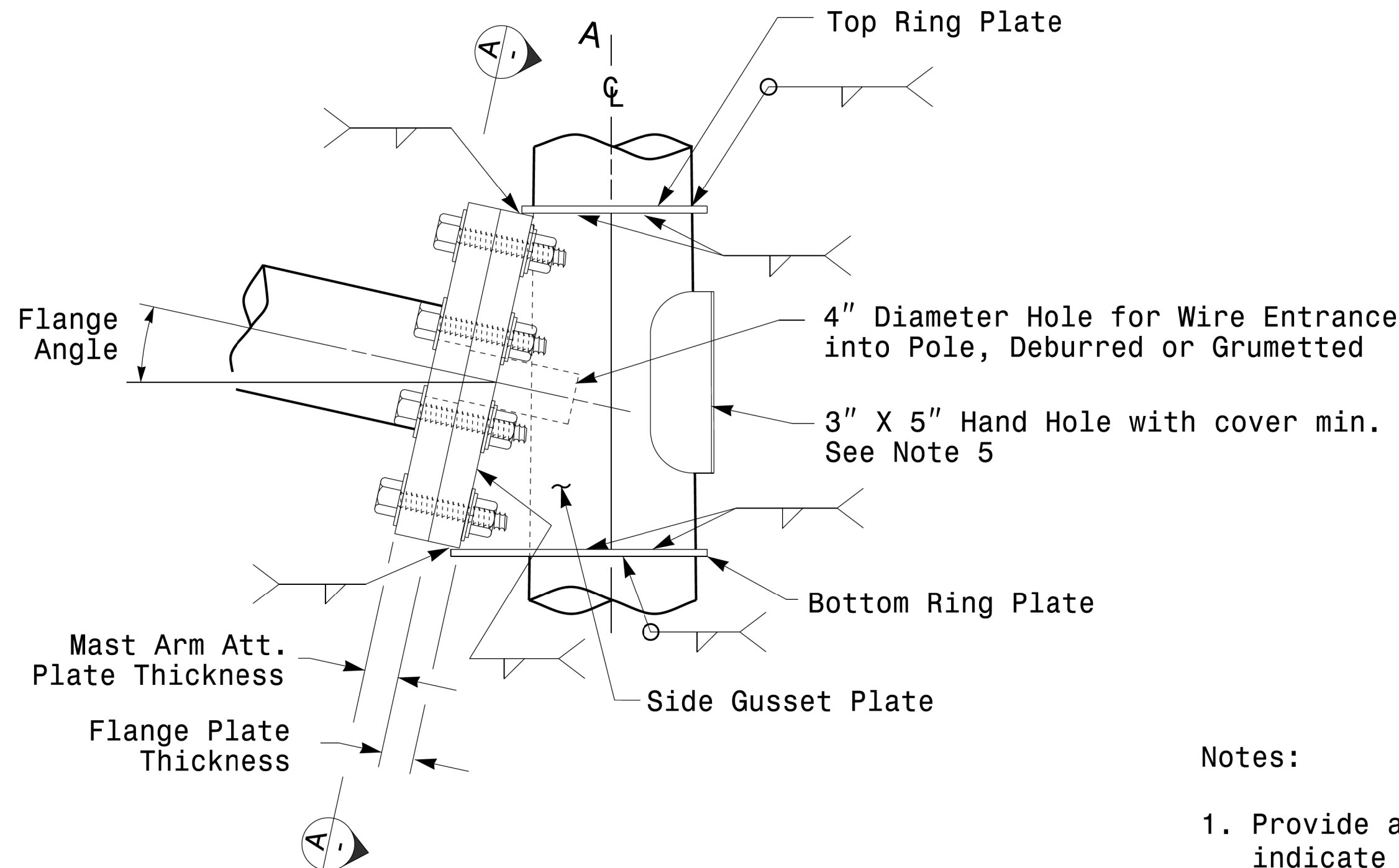


# Welded Ring Stiffened Mast Arm Connection

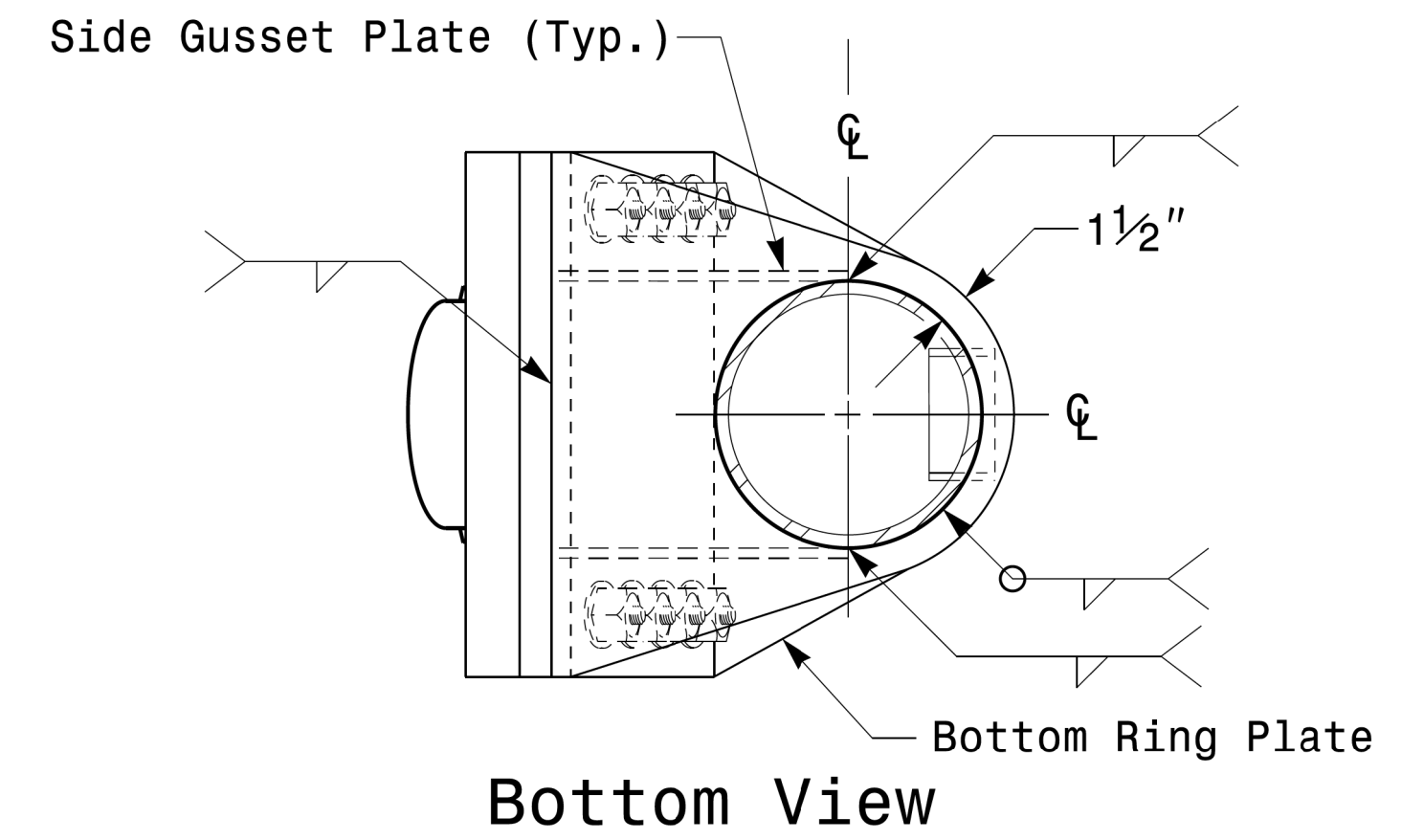
PROJECT ID. NO.	SHEET NO.
R-5768	Sig.M5



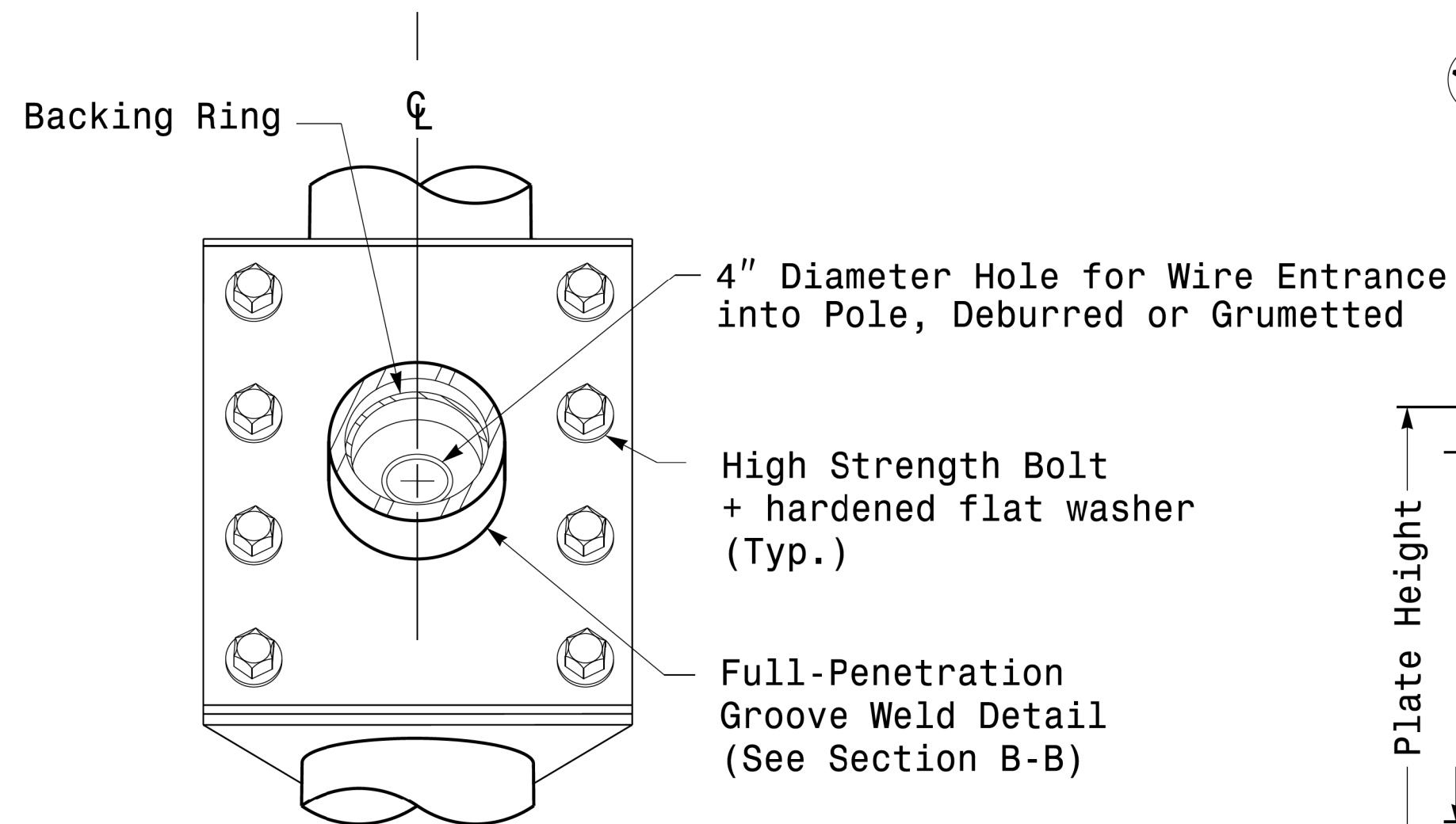
**Plan View**



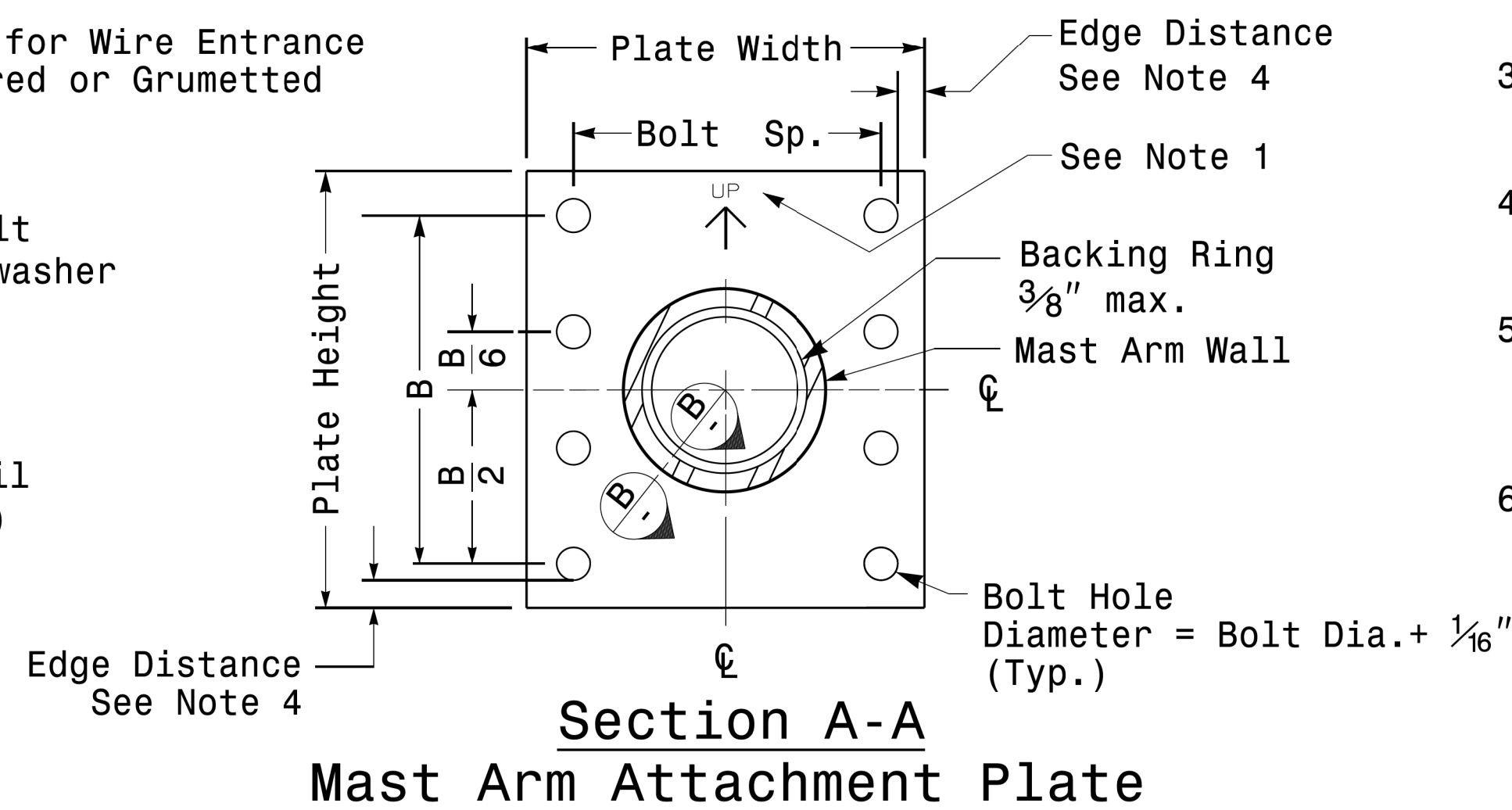
**Side Elevation View**



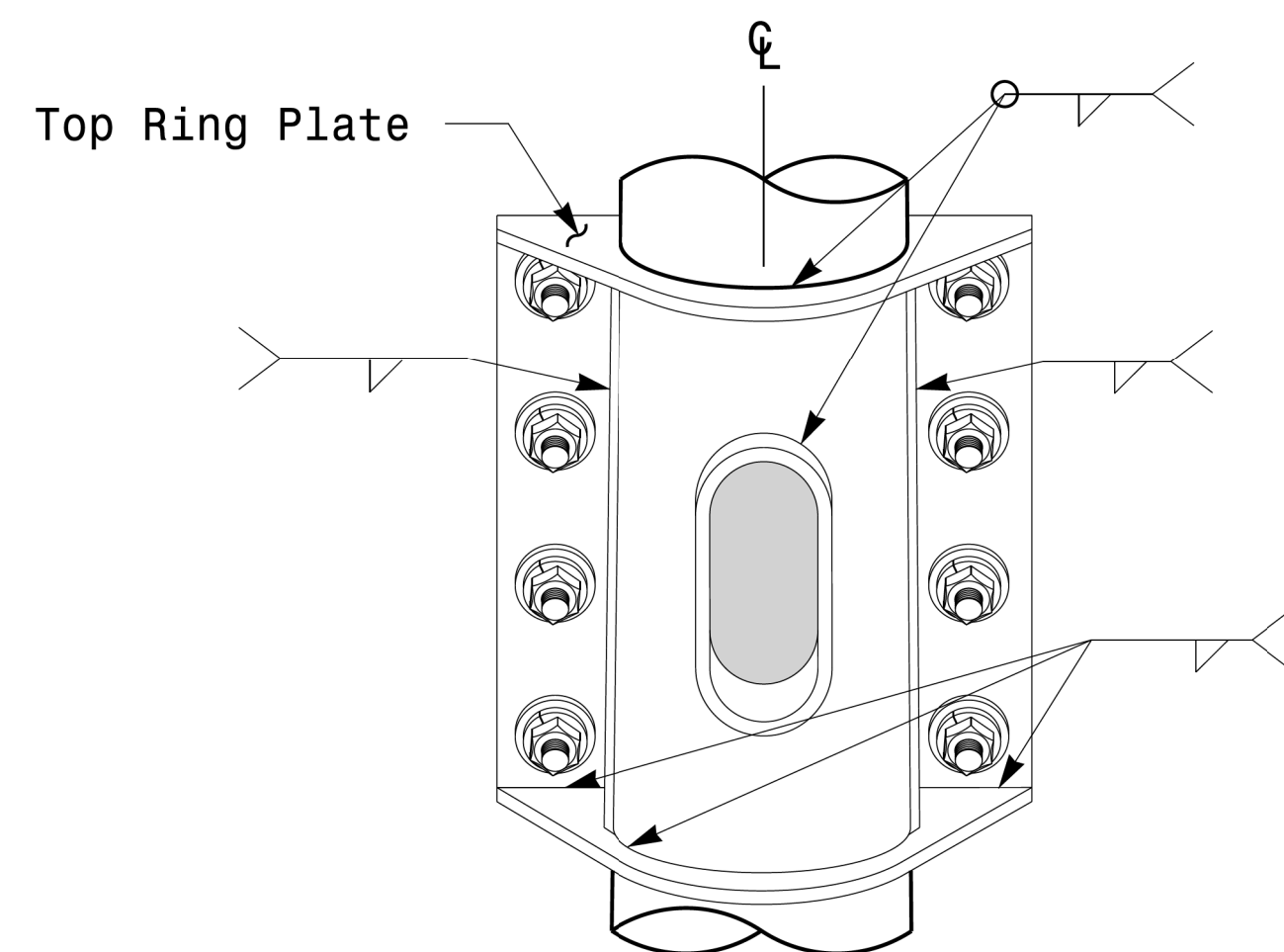
**Bottom View**



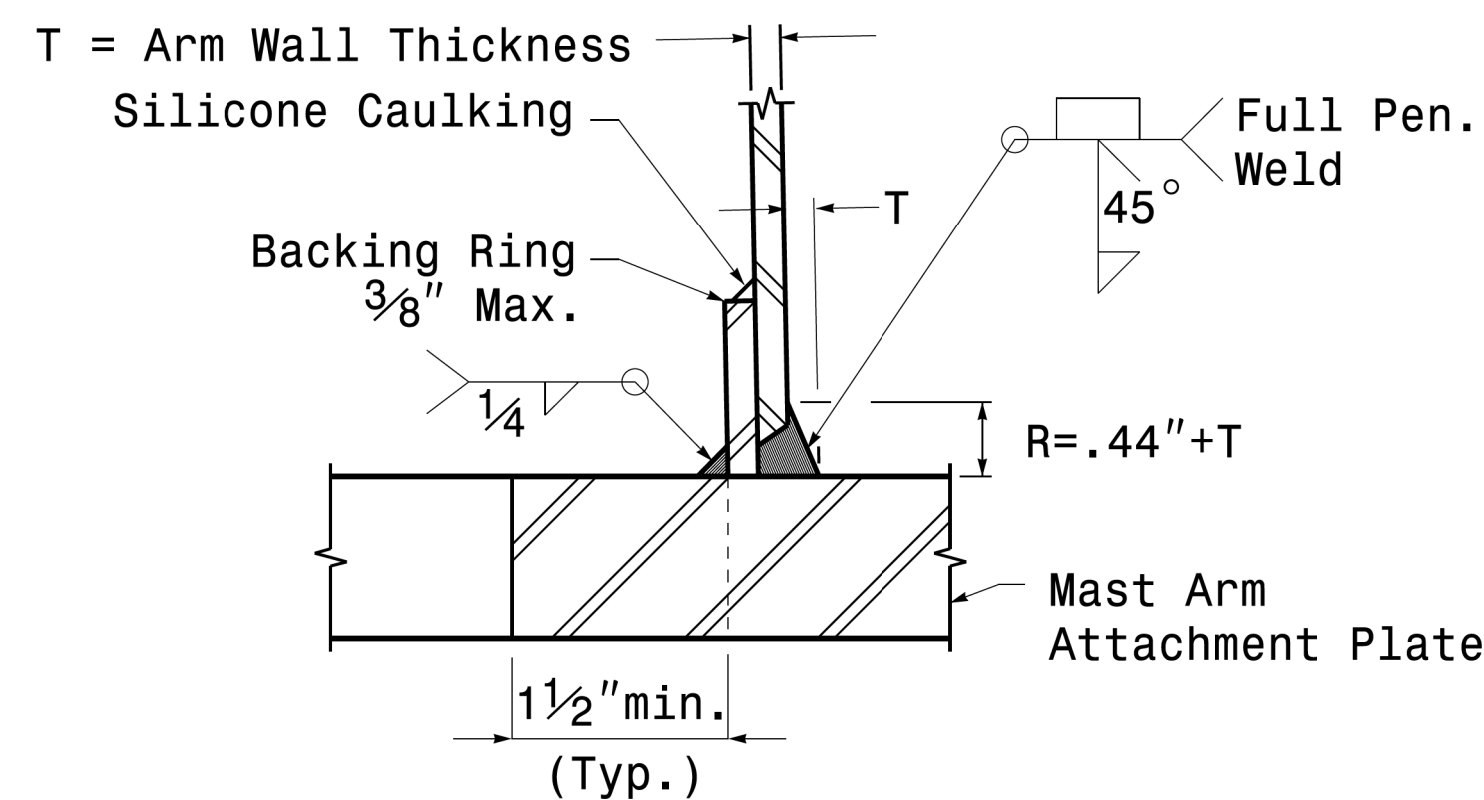
**Front Elevation View**



**Section A-A Mast Arm Attachment Plate**



**Back Elevation View**



**Section B-B**

**Full-Penetration Groove Weld Detail**

**Notes:**

1. Provide a permanent means of identification above the mast arm to indicate proper attachment orientation of the mast arm.
2. Designer will determine the size of all structural components, plates, fasteners, and welds shown unless they are already specified.
3. Fabricator is responsible for providing appropriate holes at drainage points to drain galvanizing materials.
4. For minimum edge distance follow AISC Table J3.4 and J3.5. For nominal bolt hole size use Table J3.3.
5. Provide upper handhole as necessary when shaft extensions are required for luminaire arms or camera. For poles without luminaires/camera, wiring can be done through the top of pole.
6. Allowable range of flange tilt angle will vary from 0° to as required.

11-001-2017 08:35 S:\1\5201115 Signal\M5\Signal Design Section\Eastern Region\M5 Sheets\2016\2014 Sig.M5 Std. Connection Fabrication Details\Mast Arm Poles.dgn rnz/raiser

**Fabrication Details – Mast Arm Connection**

<p>750 N. Greenfield Pkwy, Garner, NC 27529</p>	<p>Prepared In the Offices of:</p> <p>Typical Fabrication Details For Mast Arm Connection To Pole</p>		<p>SEAL</p> <p>DocuSigned by: Devesh C. Sarkar</p>					
	<p>PLAN DATE: OCTOBER 2017</p> <p>DESIGNED BY: C. F. ANDREWS</p> <p>PREPARED BY: N. BITTING</p> <p>REVIEWED BY: D. C. SARKAR</p>	<p>REVISIONS</p> <table border="1"> <tr> <th>INIT.</th> <th>DATE</th> </tr> <tr> <td> </td> <td> </td> </tr> <tr> <td> </td> <td> </td> </tr> </table>		INIT.	DATE			
INIT.	DATE							

10/11/2017 DATE