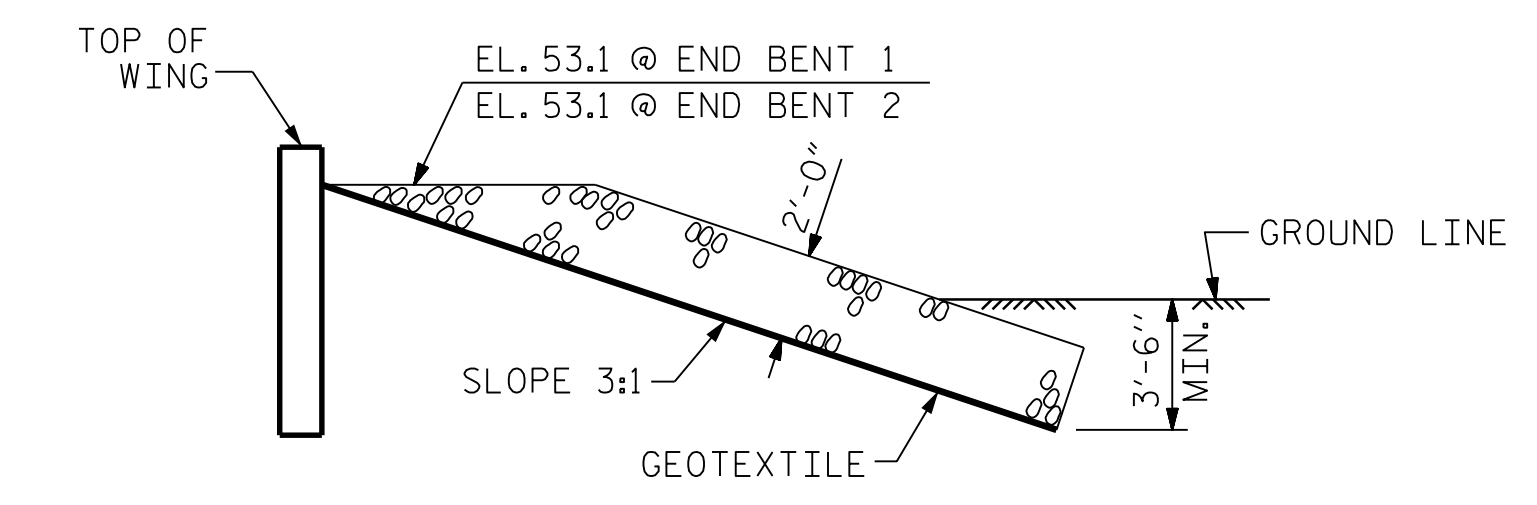
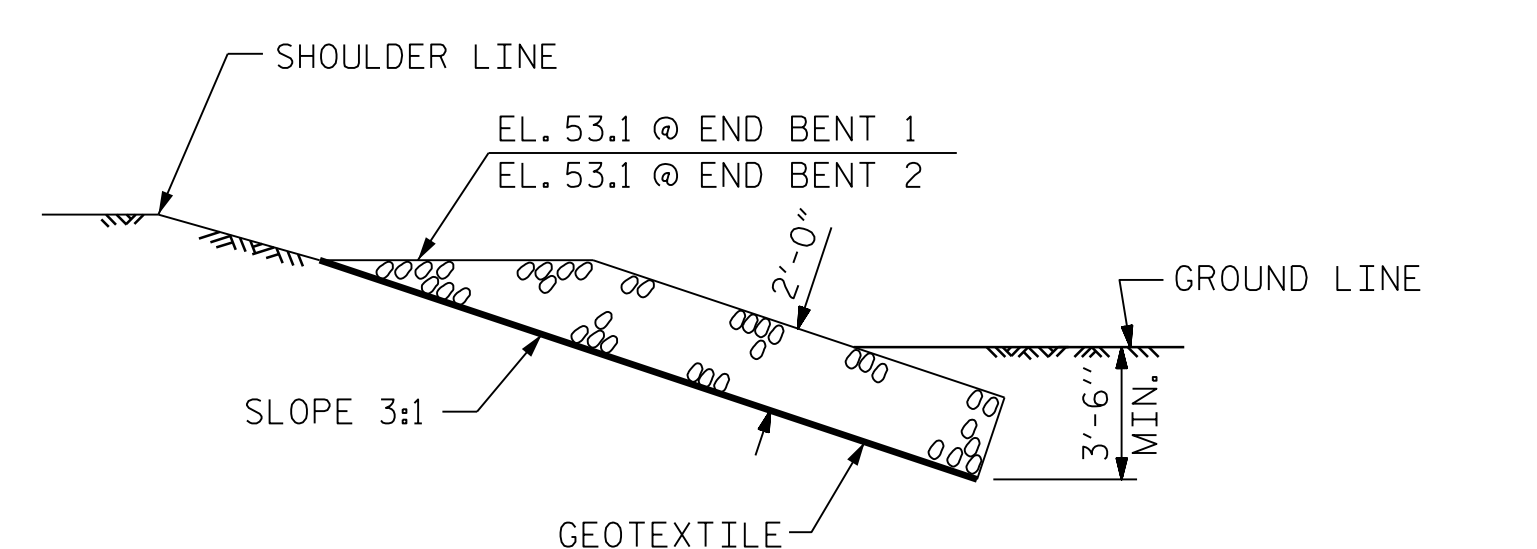


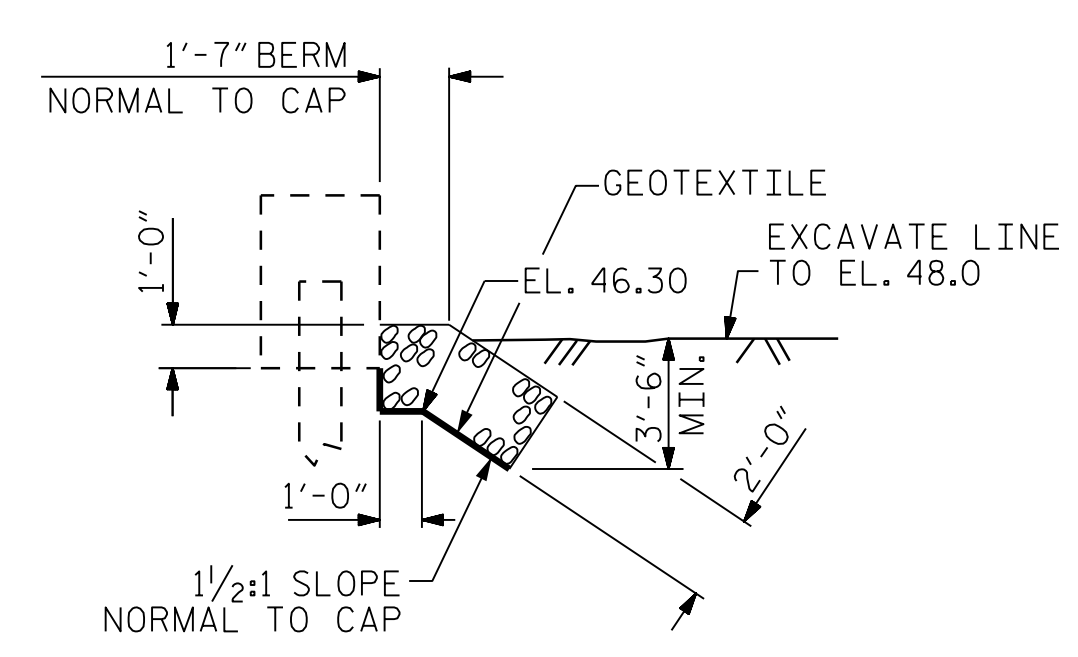
ESTIMATED QUANTITIES		
BRIDGE @ STA. 15+55.00 -L-	RIP RAP CLASS II	GEOTEXTILE FOR DRAINAGE
	TONS	SQUARE YARDS
END BENT 1	95	105
END BENT 2	115	130
TOTAL	210	235



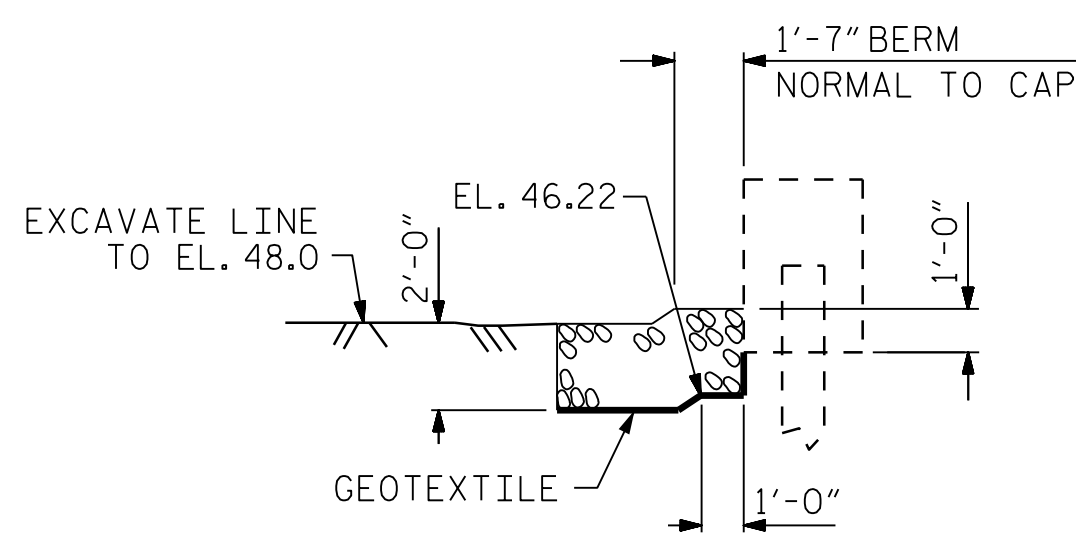
SECTION A-A



SECTION B-B



SECTION @ END BENT 1  
BERM RIP RAPPED



SECTION @ END BENT 2  
BERM RIP RAPPED

PROJECT NO. B-5644  
PENDER COUNTY  
 STATION: 15+55.00 -L-

STATE OF NORTH CAROLINA  
 DEPARTMENT OF TRANSPORTATION  
 RALEIGH

— RIP RAP DETAILS —

DOCUMENT NOT CONSIDERED  
 FINAL UNLESS ALL  
 SIGNATURES COMPLETED

**CDM Smith**  
 CDM SMITH  
 5400 Glenwood Avenue, Suite 400  
 Raleigh, NC 27612-3228  
 NC COA No. F-1255

DRAWN BY: VDK DATE: 5/19  
 CHECKED BY: THF DATE: 4/20  
 DESIGN ENGINEER: VDK DATE: 5/20

DWG. No.

PROFESSIONAL ENGINEER  
 SEAL 16301  
 TUNG FANG  
 7/18/2022

REVISIONS						SHEET NO.
NO.	BY:	DATE:	NO.	BY:	DATE:	S-18
1			3			TOTAL SHEETS
2			4			19