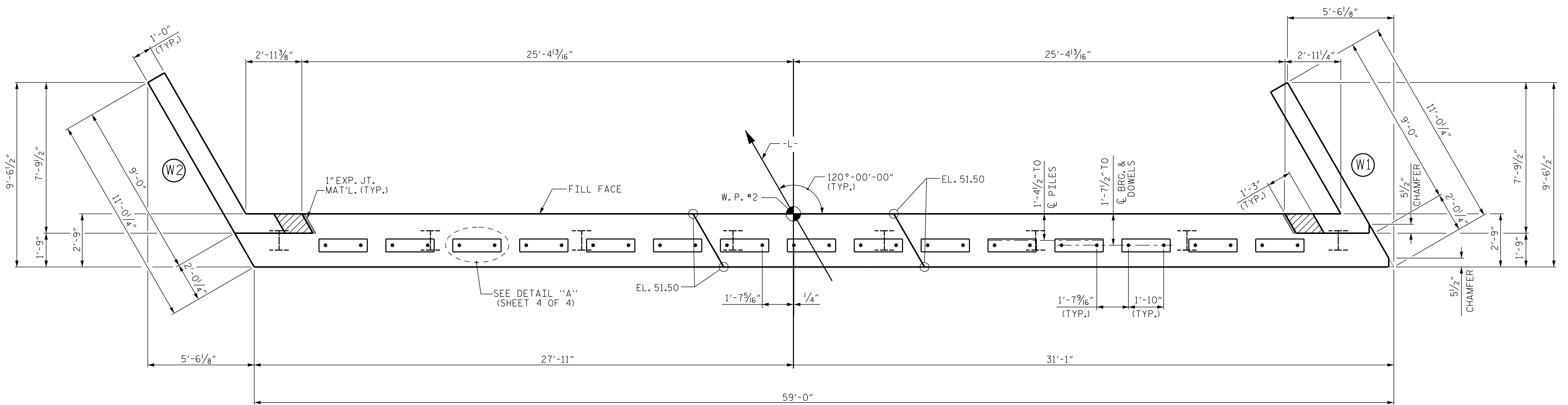
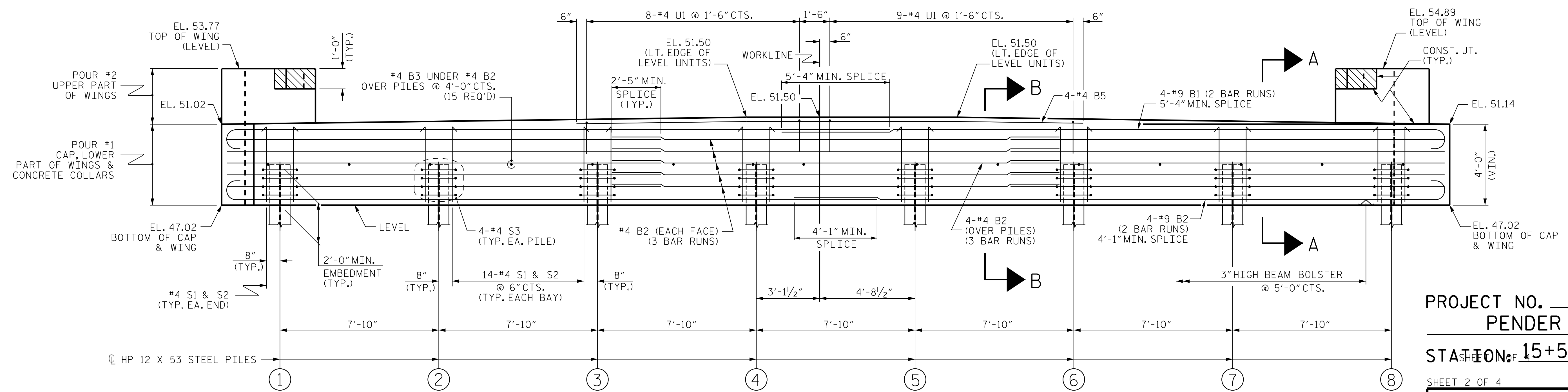


NOTES
FOR NOTES, SEE SHEET 1 OF 4.



PLAN



ELEVATION

WINGS NOT SHOWN FOR CLARITY. FOR SECTION A-A, SEE SHEET 4 OF 4.
CONCRETE COLLARS FOR STEEL PILES NOT SHOWN IN PLAN AND
ELEVATION VIEWS FOR CLARITY. SEE "CORROSION PROTECTION FOR
STEEL PILES DETAIL", SHEET 4 OF 4.

PROJECT NO. B-5644
PENDER COUNTY
STATION: 15+55.00 -L-

SHEET 2 OF 4

STATE OF NORTH CAROLINA
DEPARTMENT OF TRANSPORTATION
RALEIGH
SUPERSTRUCTURE
END BENT 2

REVISIONS					
NO.	BY:	DATE:	NO.	BY:	DATE:
1			3		
2			4		

SHEET NO. **S-15**
TOTAL SHEETS **19**

DOCUMENT NOT CONSIDERED
FINAL UNLESS ALL
SIGNATURES COMPLETED

CDM Smith
CDM SMITH
5400 Glenwood Avenue, Suite 400
Raleigh, NC 27612-3228
NC COA No. F-1255

DRAWN BY: VDK DATE: 5/19
CHECKED BY: THF DATE: 4/20
DESIGN ENGINEER: VDK DATE: 5/20

DWG. No.



FILE: c:\pwworking\1615483\401_02p_B5644_S&U_EI_015.dgn
DATE: 7/15/2020 10:27:13 PM