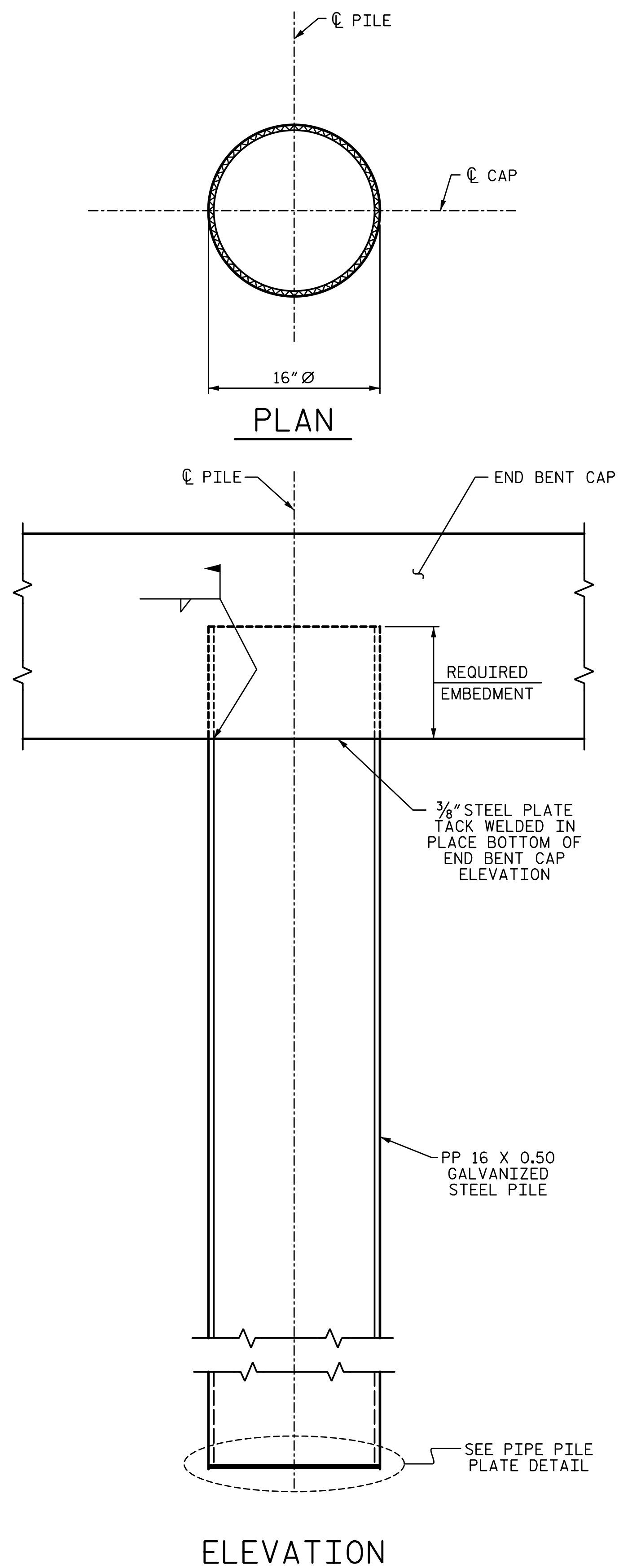
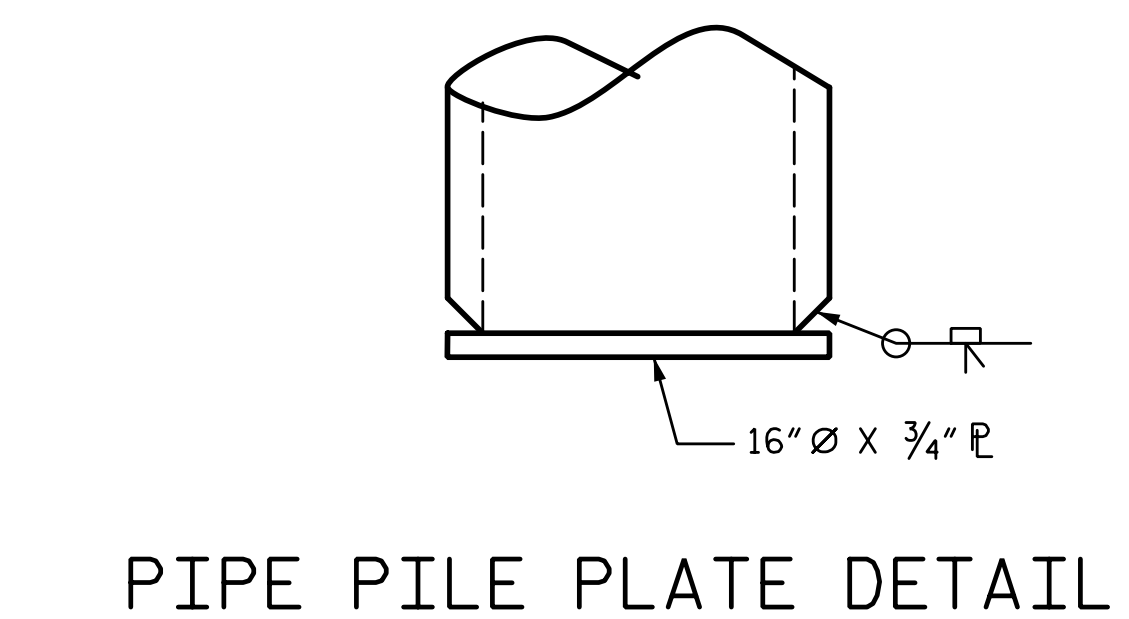


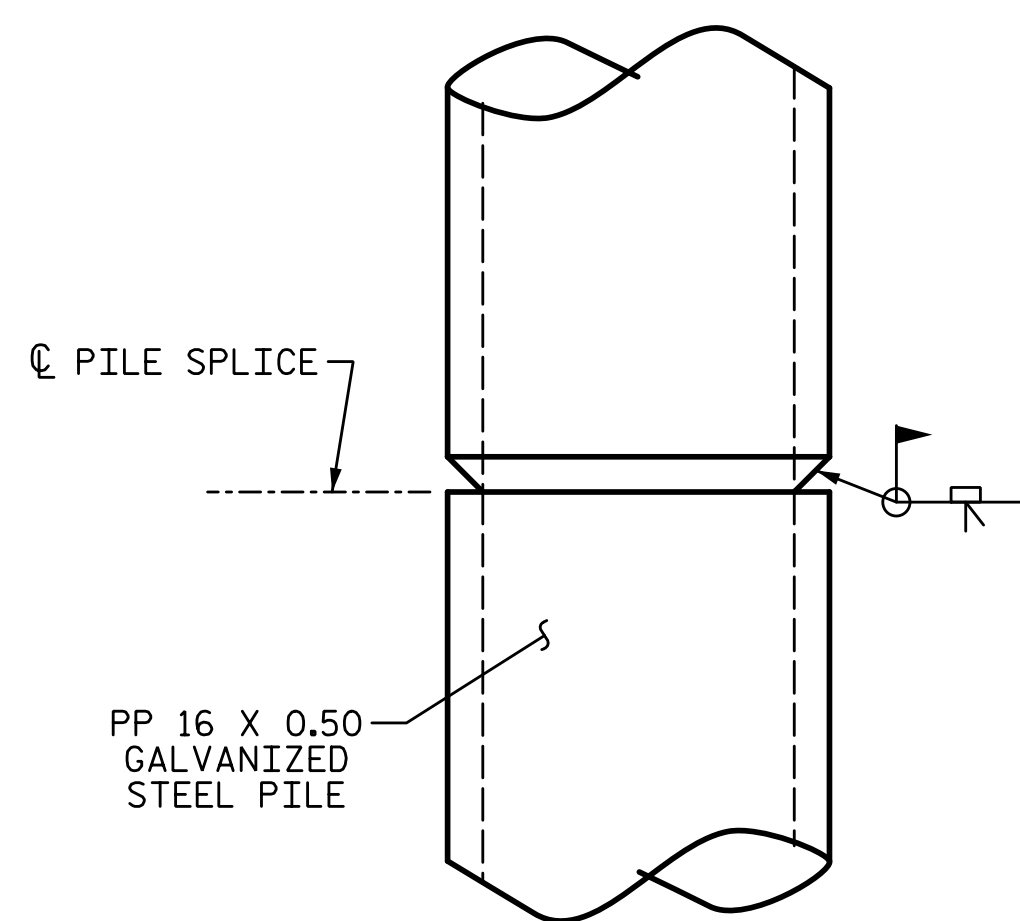
9/14/2022 8:06:06 AM P:\Raleigh\Projects\2018\Division 3 (SEA)\B-5652 (Onslow 33 US17 NBL over Wolf Swamp)\Structures\Drawings\Final\401\_B5652\_SMU\_E1\_660033.dgn



**PP 16 X 0.50 GALVANIZED STEEL PILE**  
(CLOSED END)



**PIPE PILE SPLICE DETAIL**



**NOTES:**

PIPE PILES SHALL BE IN ACCORDANCE WITH SECTION 1084 OF THE STANDARD SPECIFICATIONS.

GALVANIZE THE FULL LENGTH OF EACH END BENT PILE IN ACCORDANCE WITH SECTION 1076 OF THE STANDARD SPECIFICATIONS.

GALVANIZE STEEL PIPE PILES IN ACCORDANCE WITH SECTION 1076 OF THE STANDARD SPECIFICATIONS UNLESS METALLIZING IS REQUIRED. GALVANIZING OR METALLIZING PIPE PILE PLATES IS NOT REQUIRED.

PIPE PILE PLATES SHALL BE IN ACCORDANCE WITH SECTION 450 OF THE STANDARD SPECIFICATIONS.

REMOVE AND REPLACE OR REPAIR TO THE SATISFACTION OF THE ENGINEER PILES THAT ARE DAMAGED, DEFORMED OR COLLAPSED DURING INSTALLATION OR DRIVING.

PILE SPLICES SHALL BE IN ACCORDANCE WITH THE STANDARD SPECIFICATIONS AND AWS D1.1.

THE GALVANIZING IS CONSIDERED INCIDENTAL TO THE CONTRACT UNIT PRICE BID PER LINEAR FOOT FOR PP 16 X 0.50 GALVANIZED STEEL PILES.

THE CONTRACTOR MAY PROPOSE AN ALTERNATE METHOD FOR PLUGGING THE STEEL PIPE PILE, SUBJECT TO APPROVAL BY THE ENGINEER.

PROJECT NO. B-5652  
ONSLow COUNTY  
STATION: 20+64.00 -L-RT-

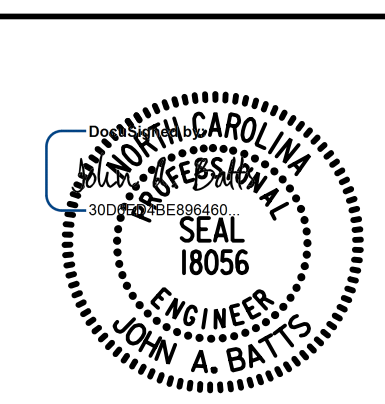
STATE OF NORTH CAROLINA  
DEPARTMENT OF TRANSPORTATION  
RALEIGH  
SUBSTRUCTURE

16" STEEL PIPE PILE



5640 Dillard Drive, Suite 200  
Cary, NC 27518

LICENSURE NO. C-4434



9/14/2022 1 5:22 AM

DRAWN BY: S.D. COOPER	DATE: 5-22
CHECKED BY: J.A. BATTS	DATE: 5-22
DESIGN ENGINEER OF RECORD: J.A. BATTS	DATE: 5-22

REVISIONS

NO.	BY:	DATE:	NO.	BY:	DATE:
1			3		
2			4		

SHEET NO. S-23

TOTAL SHEETS 26

**DOCUMENT NOT CONSIDERED FINAL  
UNLESS ALL SIGNATURES COMPLETED**