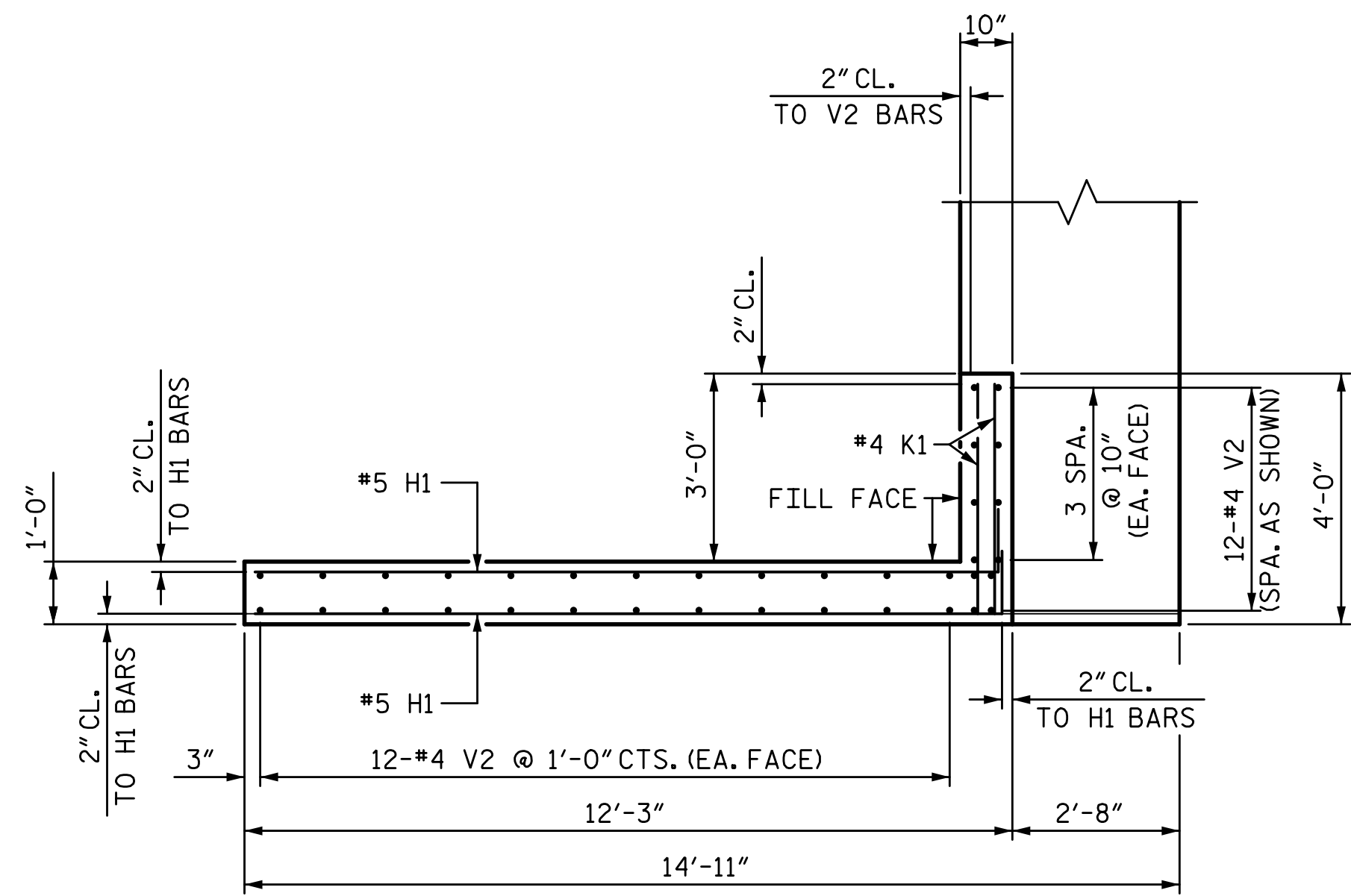
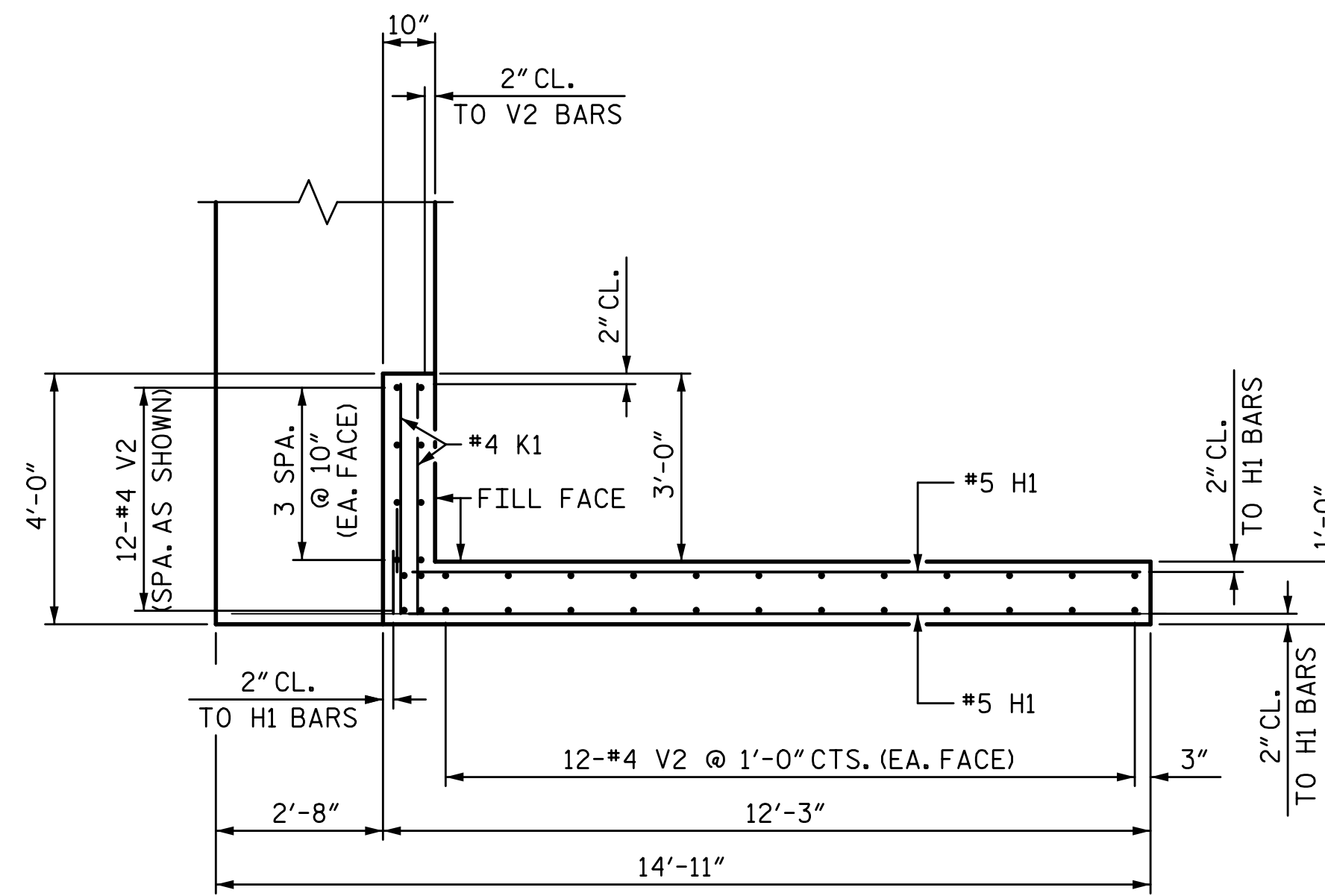


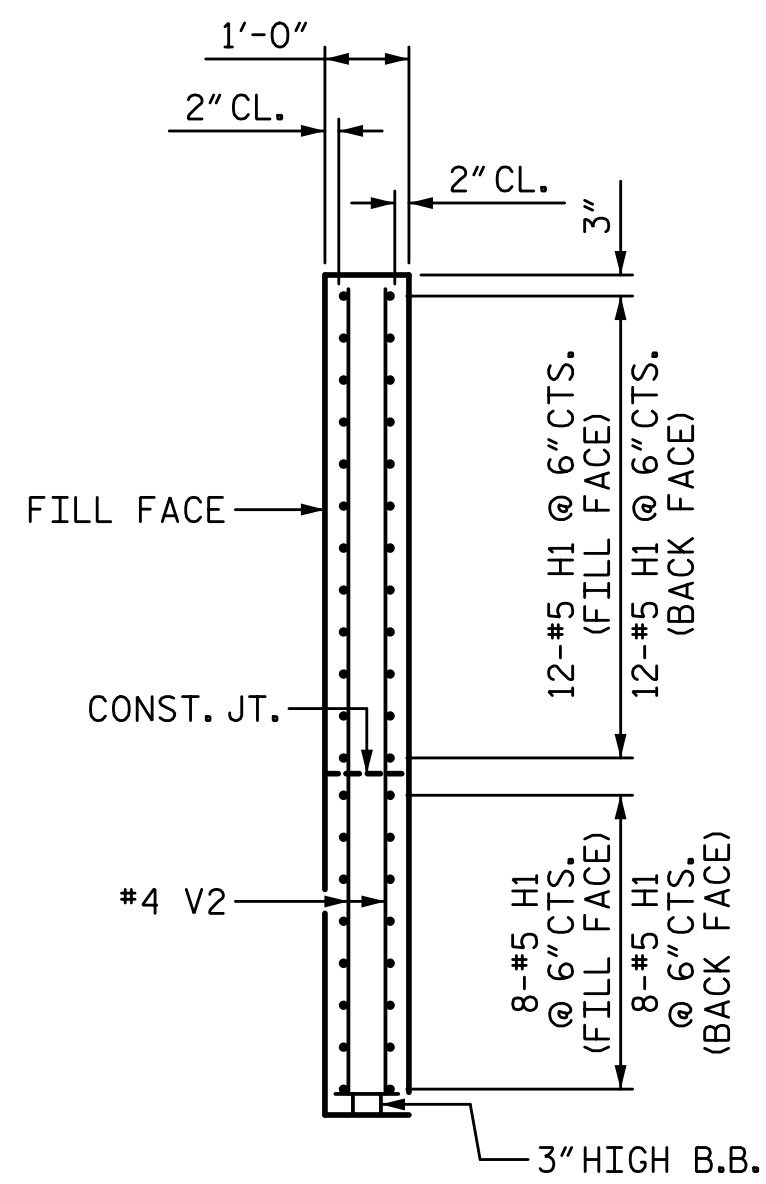
9/14/2022 8:06:05 AM P:\Raleigh\Projects\2018\Division 3 (SEA)\B-5652 (Onslow 33 US17 NBL over Wolf Swamp)\Structures\Drawings\Final\401_B5652_SMU_E2_660033.dgn



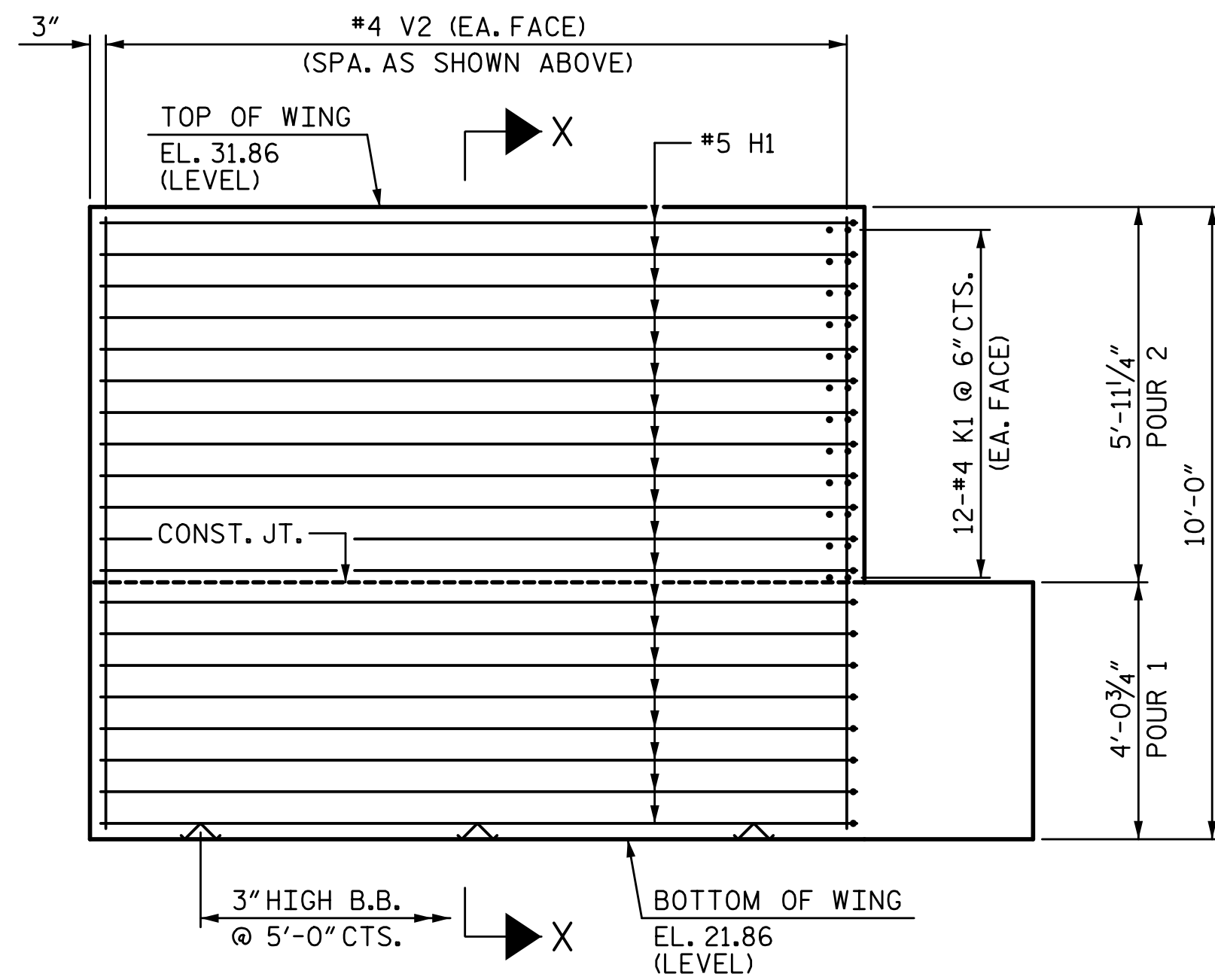
PLAN OF WING (W1)



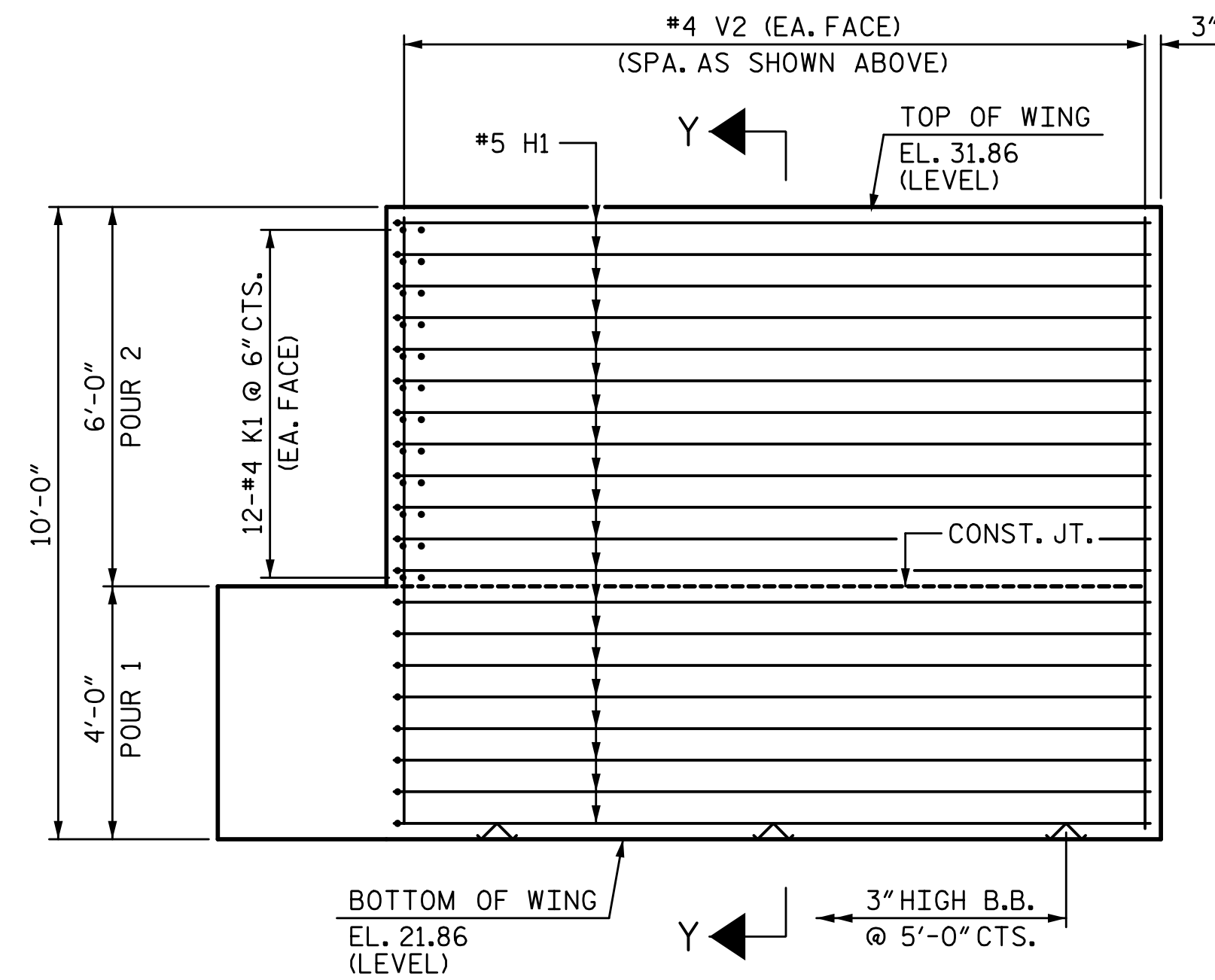
PLAN OF WING (W2)



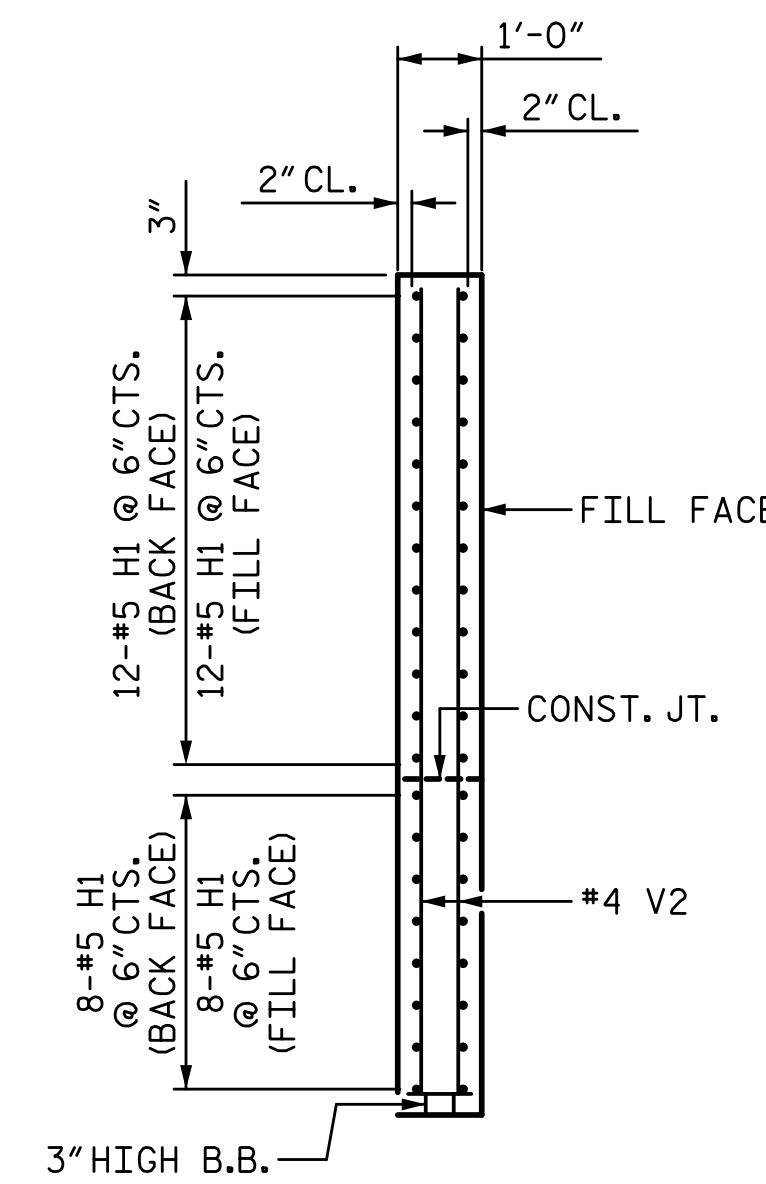
SECTION X-X



ELEVATION OF WING (W1)



ELEVATION OF WING (W2)



SECTION Y-Y

PROJECT NO. B-5652
ONSLow COUNTY
 STATION: 20+64.00 -L-RT-

SHEET 2 OF 3

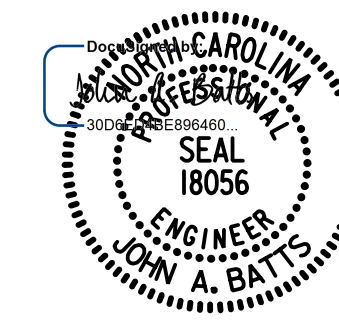
STATE OF NORTH CAROLINA
 DEPARTMENT OF TRANSPORTATION
 RALEIGH
 SUBSTRUCTURE

END BENT 2



5640 Dillard Drive, Suite 200
 Cary, NC 27518

LICENSURE NO. C-4434



9/14/2022 | 5:22 AM PD

DRAWN BY: S.D. COOPER	DATE: 5-22
CHECKED BY: J.A. BATTS	DATE: 5-22
DESIGN ENGINEER OF RECORD: J.A. BATTS	DATE: 5-22

REVISIONS				SHEET NO.	
NO.	BY:	DATE:	NO.	BY:	DATE:
1			3		
2			4		

DOCUMENT NOT CONSIDERED FINAL
 UNLESS ALL SIGNATURES COMPLETED

TOTAL SHEETS
26