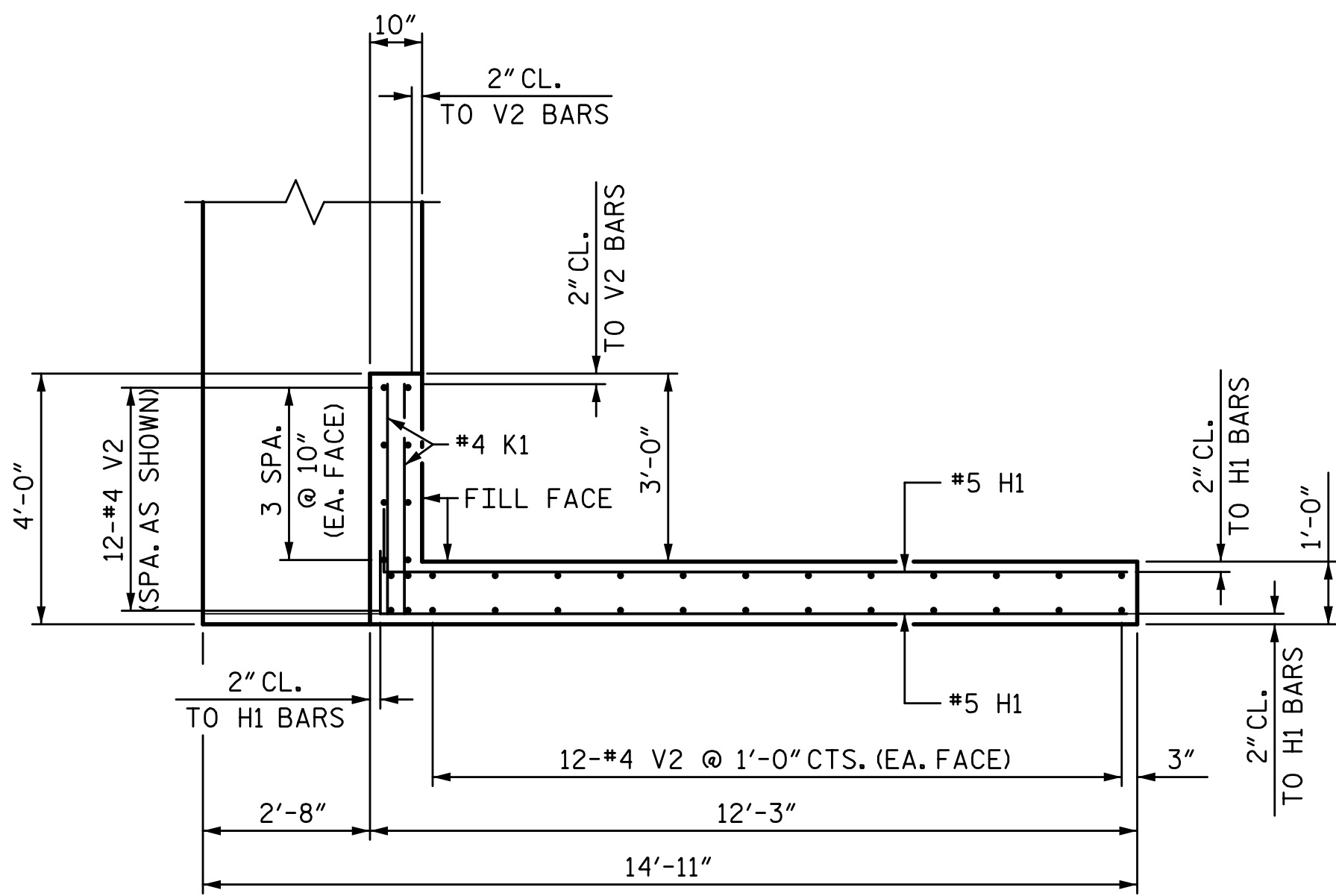
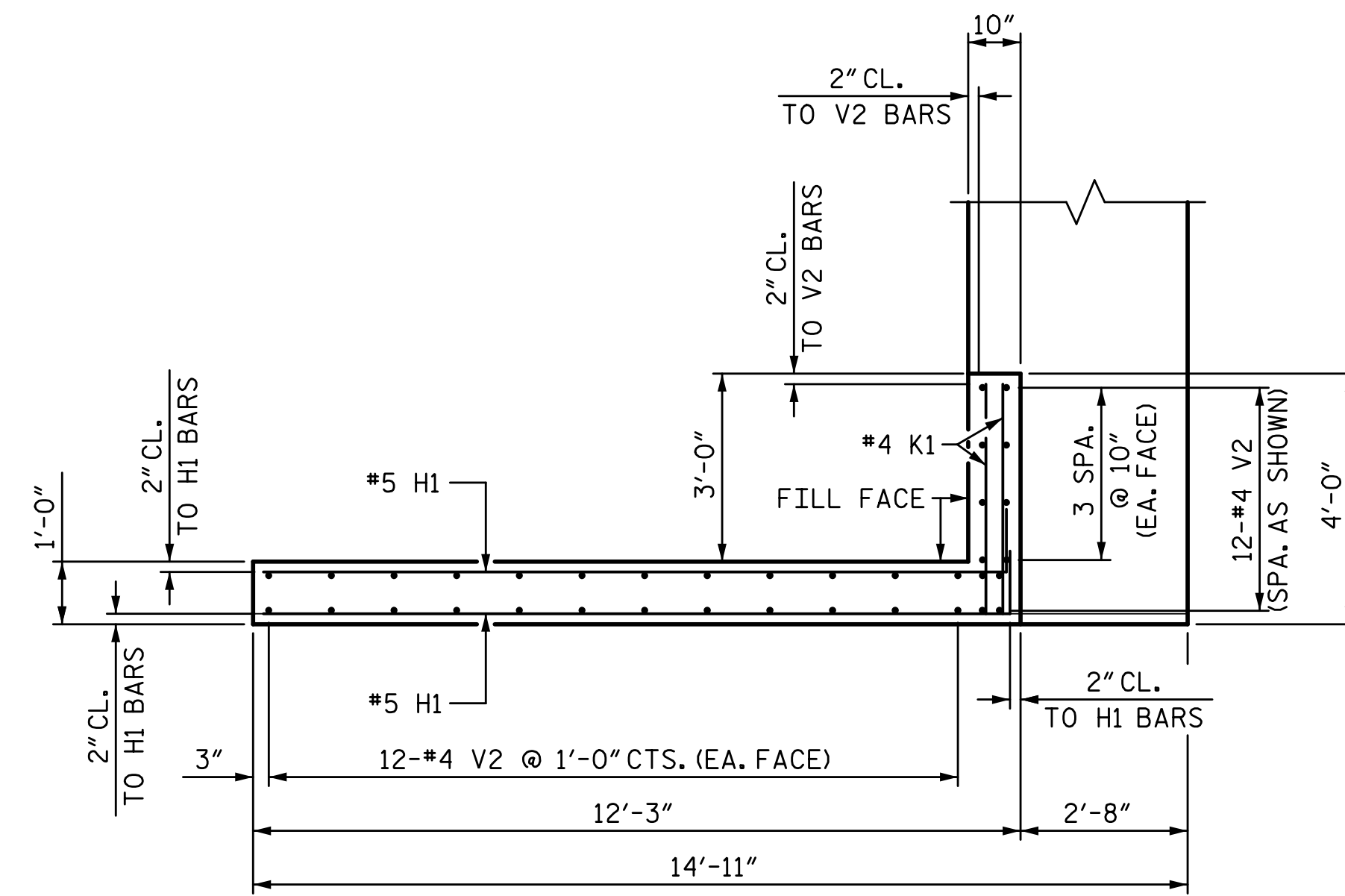


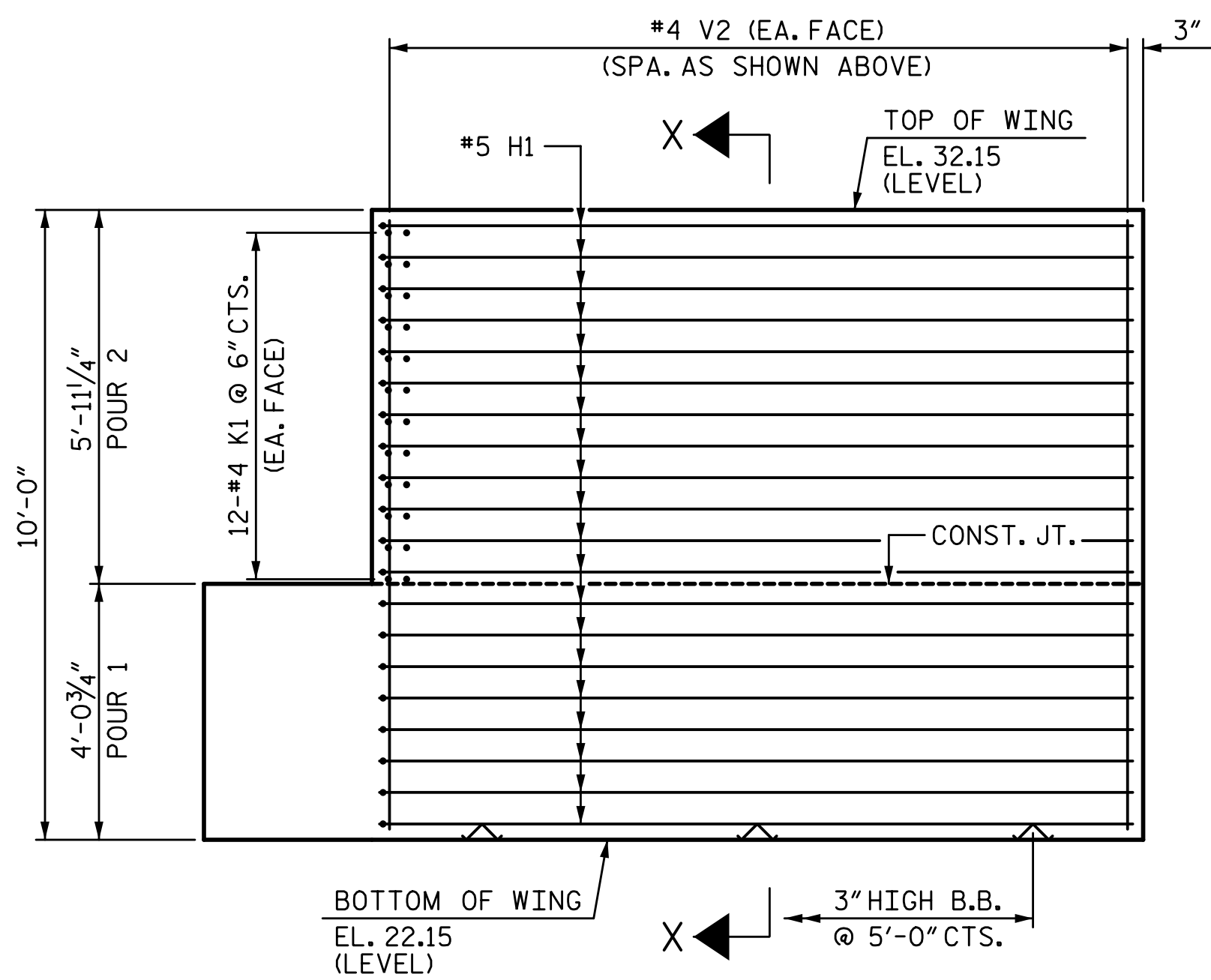
9/14/2022 8:06:03 AM P:\Raleigh\Projects\2018\Division 3 (SEA)\B-5652 (Onslow 33 US17 NBL over Wolf Swamp)\Structures\Drawings\Final\401\_B5652\_SMU\_E1-660033.dgn



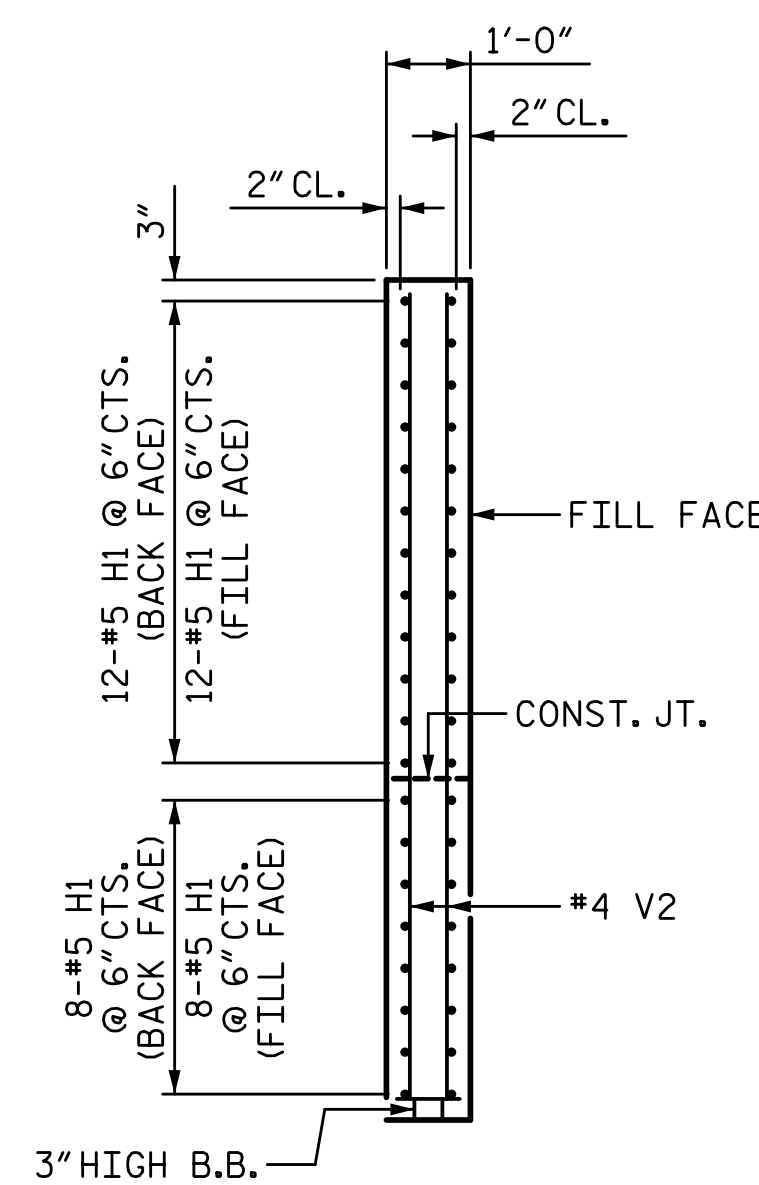
PLAN OF WING (W1)



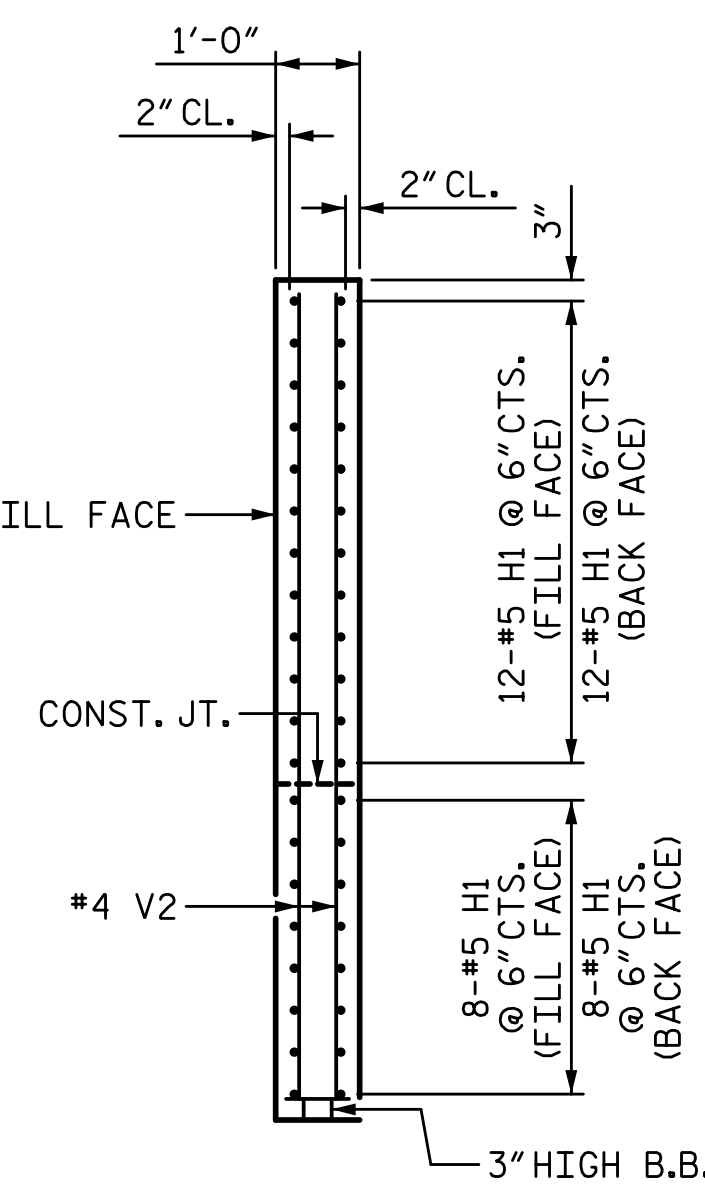
PLAN OF WING (W2)



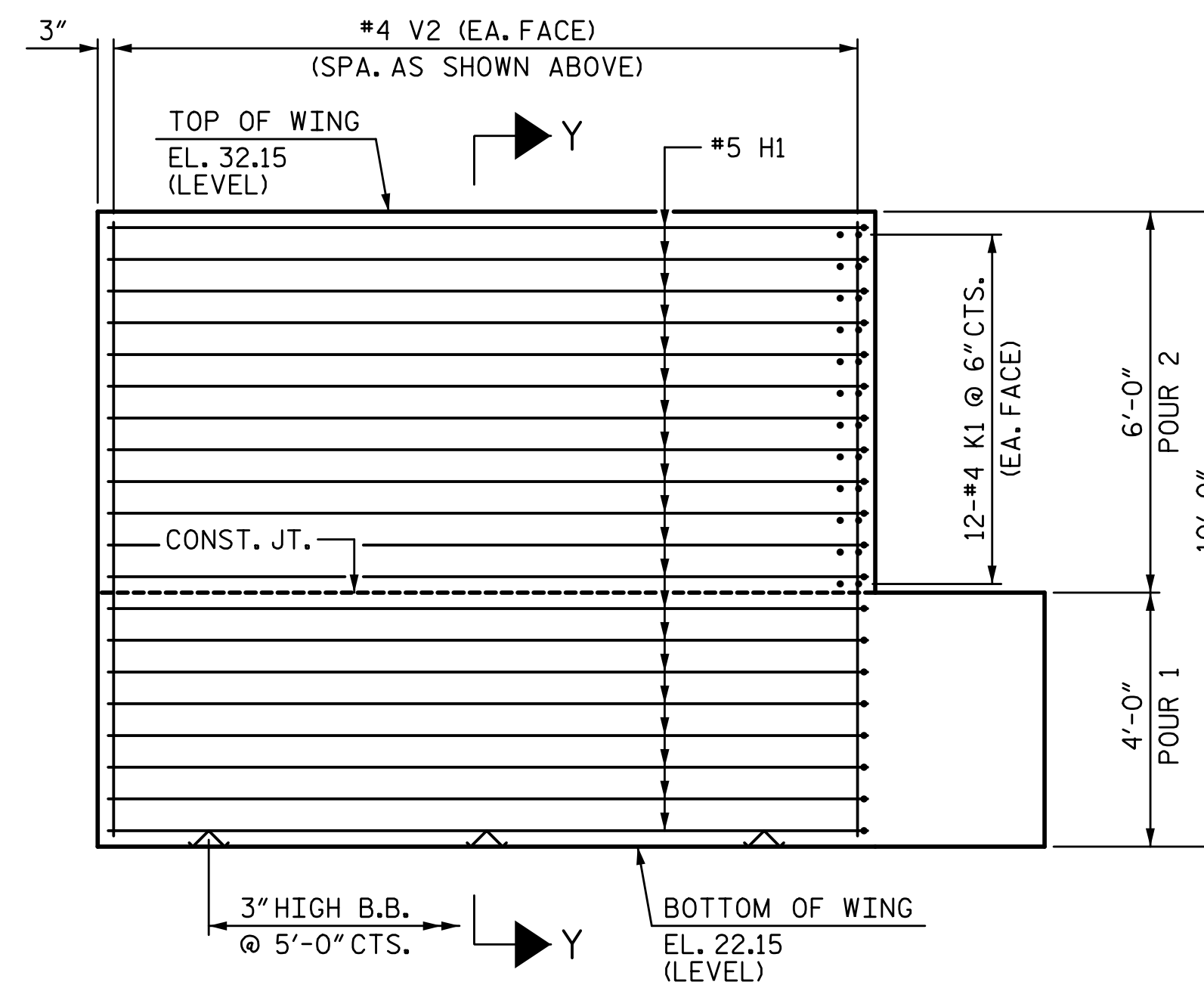
ELEVATION OF WING (W1)



SECTION X-X



SECTION Y-Y



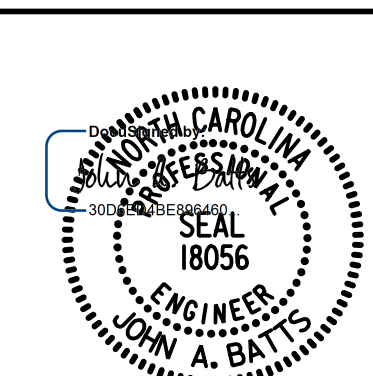
ELEVATION OF WING (W2)

PROJECT NO. B-5652  
ONSLow COUNTY  
 STATION: 20+64.00 -L-RT-

SHEET 2 OF 3

STATE OF NORTH CAROLINA  
 DEPARTMENT OF TRANSPORTATION  
 RALEIGH  
 SUBSTRUCTURE

END BENT 1



LICENSURE NO. C-4434

9/14/2022 | 5:22 AM

DRAWN BY: S.D. COOPER DATE: 5-22  
 CHECKED BY: J.A. BATTS DATE: 5-22  
 DESIGN ENGINEER OF RECORD: J.A. BATTS DATE: 5-22

DOCUMENT NOT CONSIDERED FINAL  
 UNLESS ALL SIGNATURES COMPLETED

REVISIONS				SHEET NO.	
NO.	BY:	DATE:	NO.	BY:	DATE:
1			3		
2			4		

TOTAL SHEETS: 26