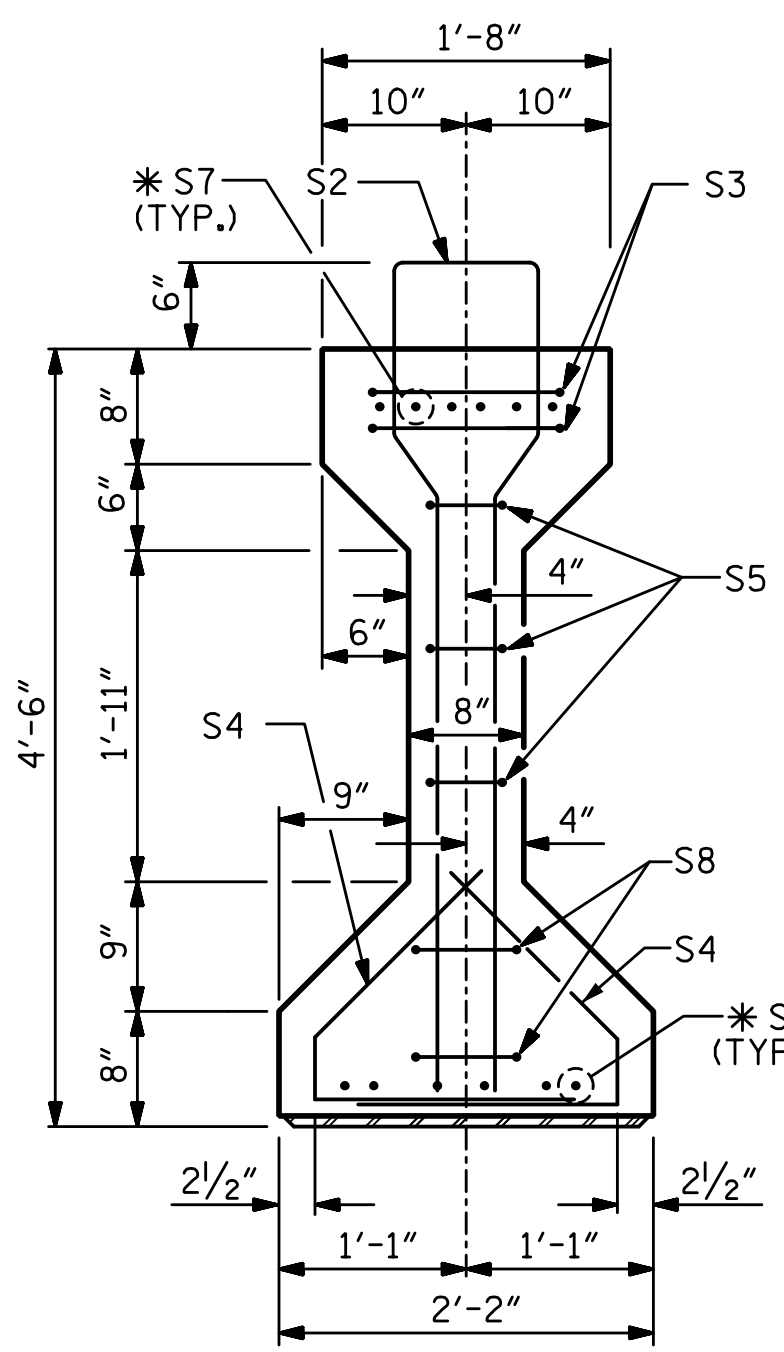
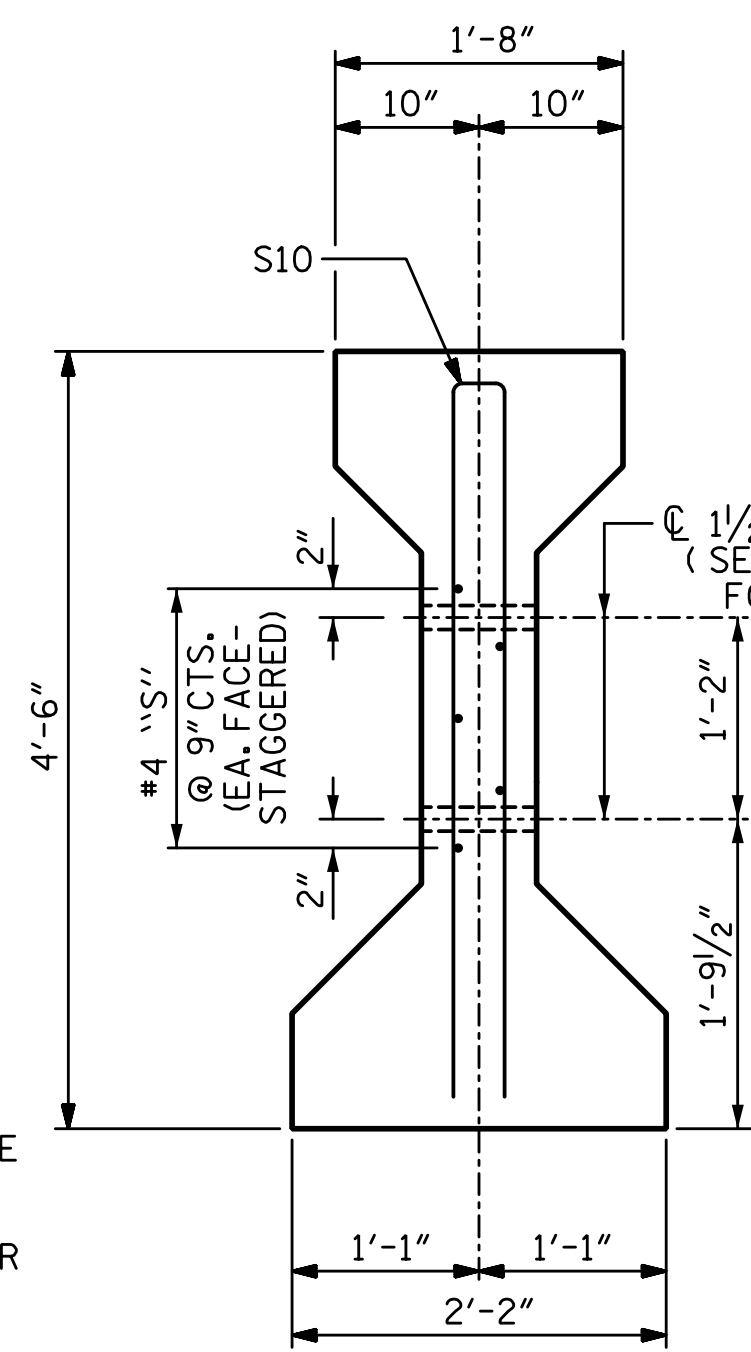


9/14/2022 8:05:57 AM P:\Raleigh\Projects\2018\Division 3 (SEA)\B-5652 (Onslow 33 US17 NBL over Wolf Swamp)\Structures\Drawings\Final\401\_B5652\_SMU\_C\_660033.dgn

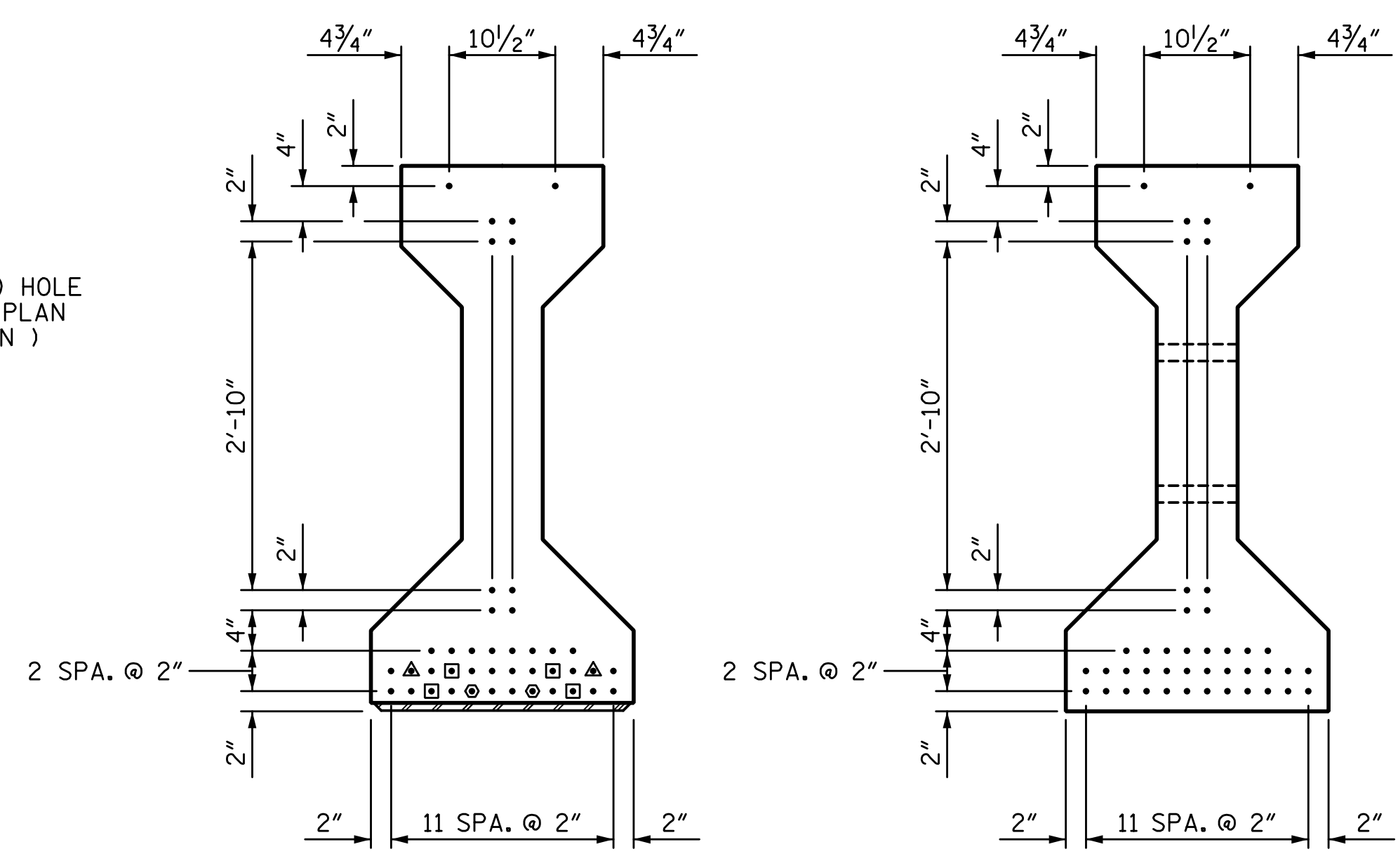


SECTION A-A

\* FOR S7 BARS, SEE  
DETAIL 'A' OF  
PRESTRESSED  
CONCRETE GIRDER  
DETAILS SHEET

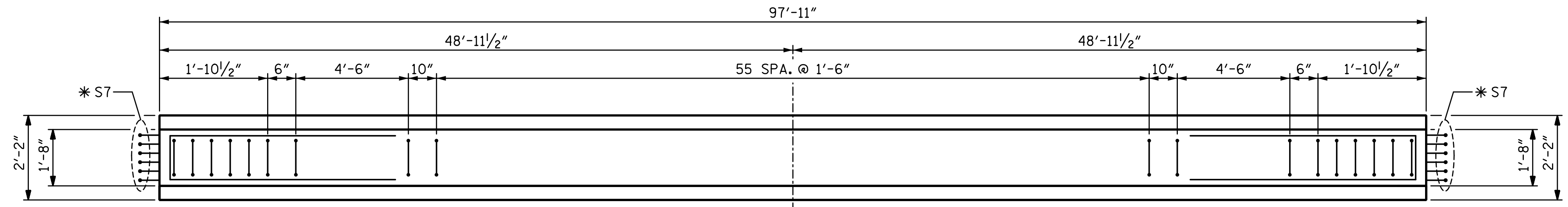


SECTION B-B  
(S1 BARS NOT SHOWN)

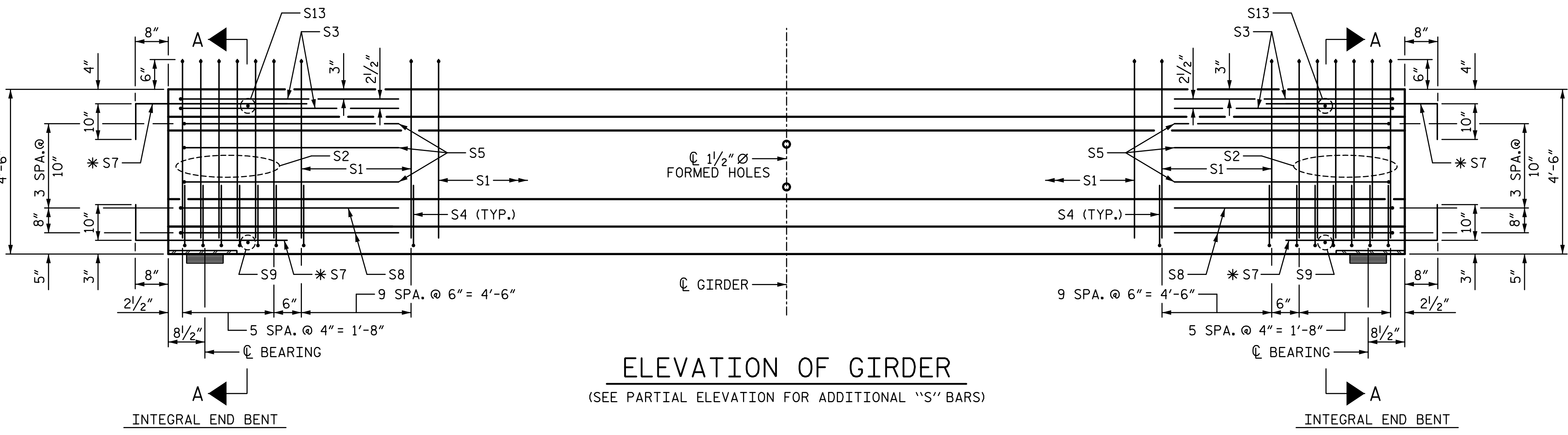


AT END OF GIRDER      AT C OF GIRDER  
0.6" Ø LOW RELAXATION STRAND LAYOUT

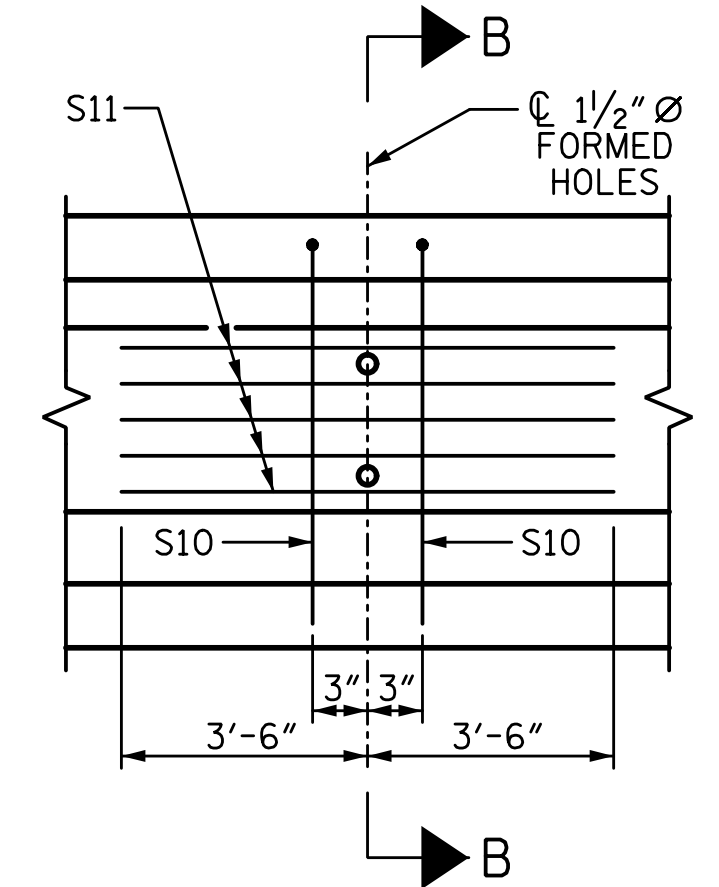
- FULLY BONDED STRAND
- ▲ STRAND DEBONDED FOR 6'-0" FROM END OF GIRDER
- STRAND DEBONDED FOR 12'-0" FROM END OF GIRDER
- STRAND DEBONDED FOR 24'-0" FROM END OF GIRDER



PLAN OF GIRDER



ELEVATION OF GIRDER  
(SEE PARTIAL ELEVATION FOR ADDITIONAL "S" BARS)



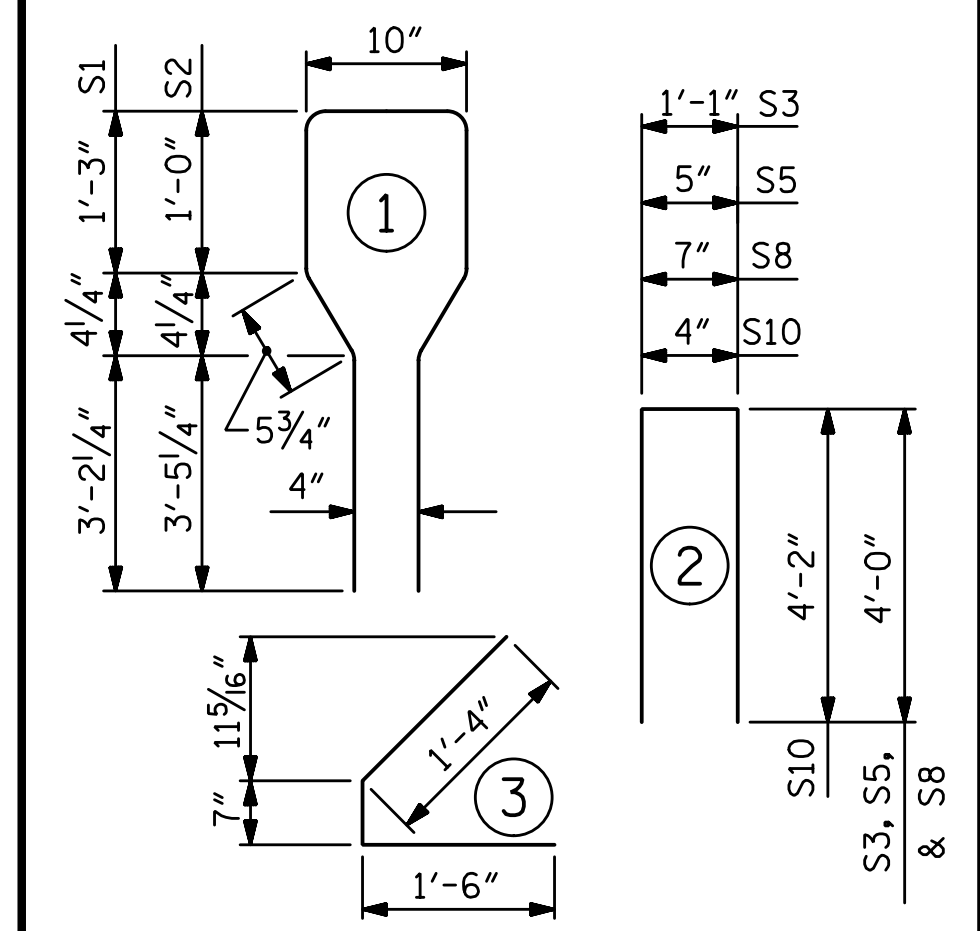
PARTIAL ELEVATION  
SHOWING INTERMEDIATE DIAPHRAGM  
REINFORCING STEEL FOR ALL GIRDERS

0.6" Ø L. R. GRADE 270 STRANDS		
AREA (SQUARE INCHES)	ULTIMATE STRENGTH (LBS. PER STRAND)	APPLIED PRESTRESS (LBS. PER STRAND)
0.217	58,600	43,950

REINFORCING STEEL FOR ONE GIRDER					
BAR	NO.	SIZE	TYPE	LENGTH	WEIGHT
S1	76	#4	1	10'-8"	542
S2	12	#4	1	10'-8"	192
S3	4	#4	2	9'-1"	24
S4	64	#4	3	3'-5"	146
S5	6	#4	2	8'-5"	34
* S7	24	#5	STR	3'-8"	92
S8	4	#4	2	8'-7"	23
S9	2	#3	STR	1'-10"	1
S10	2	#5	2	8'-8"	18
S11	5	#4	STR	7'-0"	23
S13	2	#3	STR	1'-4"	1

\* NOTE: S7 BARS SHALL BE BENT BEFORE SHIPMENT. HEAT BENDING SHALL NOT BE ALLOWED.

BAR TYPES



ALL BAR DIMENSIONS ARE OUT-TO-OUT

QUANTITIES FOR ONE GIRDER

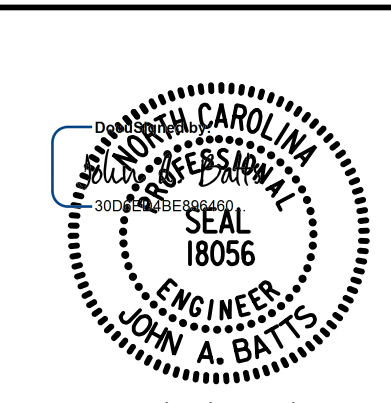
SPAN A	REINFORCING STEEL	7,500 PSI CONCRETE	0.6" Ø L. R. STRANDS
	LB.	C.Y.	No.
ALL GIRDERS	1096	19.9	42

GIRDERS REQUIRED

NUMBER	LENGTH	TOTAL LENGTH
5	97'-11"	489'-7"

PROJECT NO. B-5652  
ONLOW COUNTY  
 STATION: 20+64.00 -L-RT-

STATE OF NORTH CAROLINA  
 DEPARTMENT OF TRANSPORTATION  
 RALEIGH  
 SUPERSTRUCTURE  
 AASHTO TYPE IV  
 PRESTRESSED CONCRETE  
 GIRDER



LICENSURE NO. C-4434

9/14/2022 | 5:22 AM

DRAWN BY: T. BANKOVICH	DATE: 5-22
CHECKED BY: J.A. BATTS	DATE: 5-22
DESIGN ENGINEER OF RECORD: J.A. BATTS	DATE: 5-22

REVISIONS				SHEET NO.	
NO.	BY:	DATE:	NO.	BY:	DATE:
1			3		
2			4		

TOTAL SHEETS: 26

DOCUMENT NOT CONSIDERED FINAL  
 UNLESS ALL SIGNATURES COMPLETED