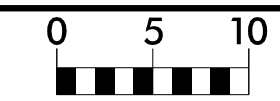


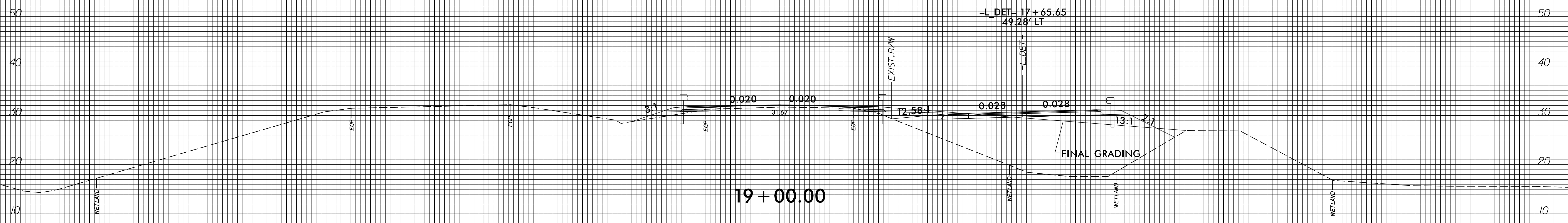
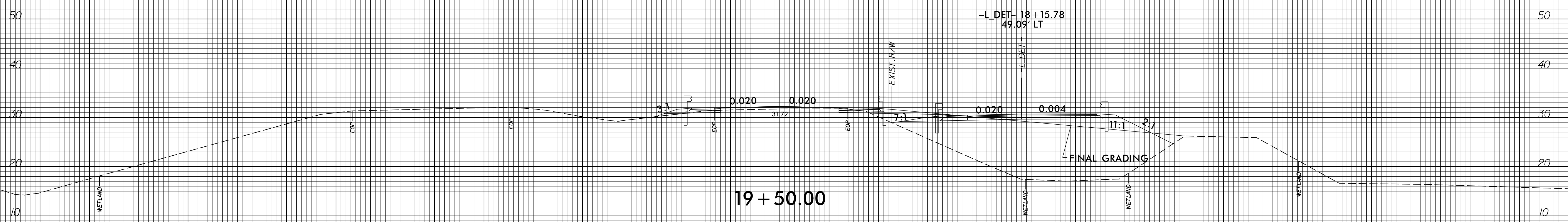
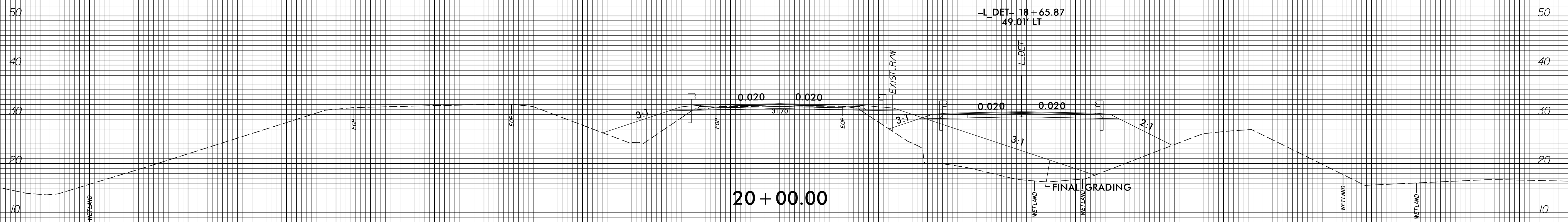
6/23/16



PROJ. REFERENCE NO.  
B-5652

SHEET NO.  
X-6

150 140 130 120 110 100 90 80 70 60 50 40 30 20 10 0 10 20 30 40 50 60 70 80 90 100 110 120 130 140 150



-L RT-

150 140 130 120 110 100 90 80 70 60 50 40 30 20 10 0 10 20 30 40 50 60 70 80 90 100 110 120 130 140 150

8:47:31 AM  
C:\Users\p33594\Documents\CorridorModeling\B-5652\_rdy\_XPL\_L&LDET.dgn  
P:\K86854