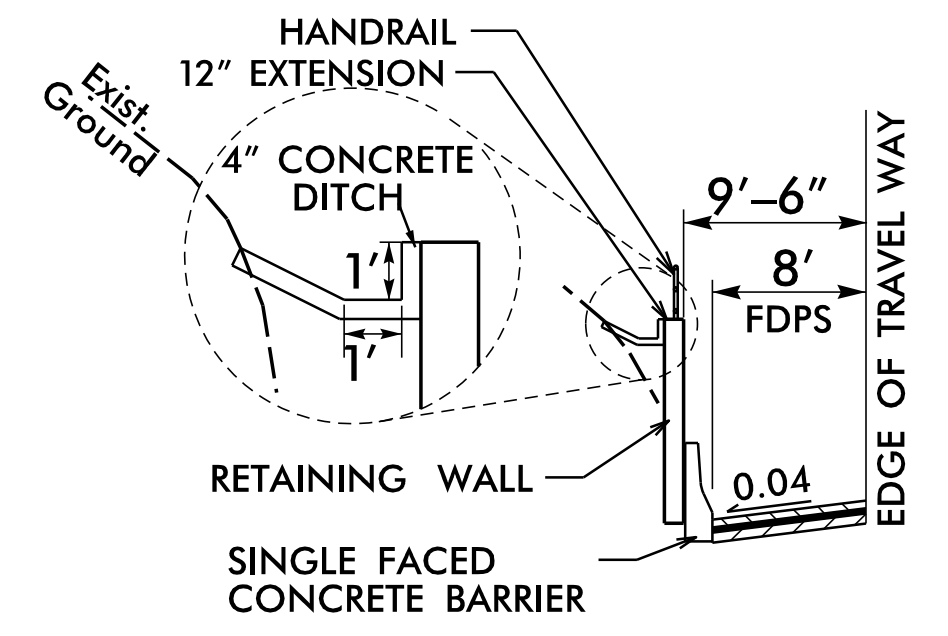
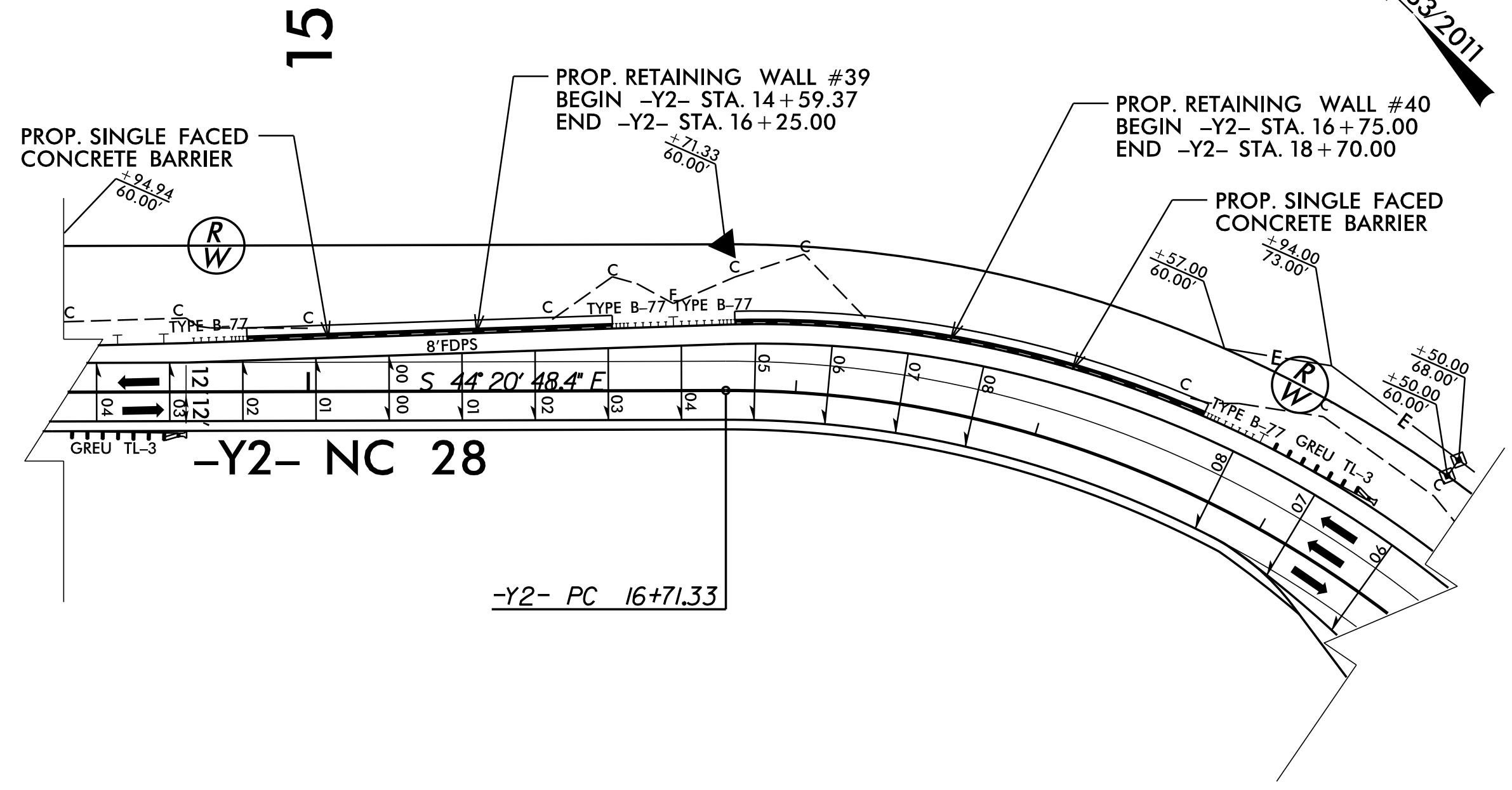


RETAINING WALL #39 & #40:



DETAIL FOR WALL #39 & #40
NOT TO SCALE
-Y2- STA. 14+59.37 TO -Y2- STA. 16+25.00, LT
-Y2- 16+75.00 TO -Y2- STA. 18+70.00, LT

GEOTECHNICAL ENGINEER

ENGINEER

SEAL 042642

ROBERT E. KRAL

DocuSigned by: *[Signature]* 08/01/2022

DATE SIGNATURE DATE

DOCUMENT NOT CONSIDERED FINAL UNLESS ALL SIGNATURES COMPLETED

RETAINING WALL #39 & #40 - PLAN
NOT TO SCALE

RETAINING WALL NO.	SOIL NAIL RETAINING WALLS (SQUARE FEET)	SOIL NAIL VERIFICATION TESTS	SOIL NAIL PROOF TESTS
39	1,720 *	2	5
40	2,690 *	2	10
HORIZONTAL DRAINS (CONTINGENCY)			210 LF

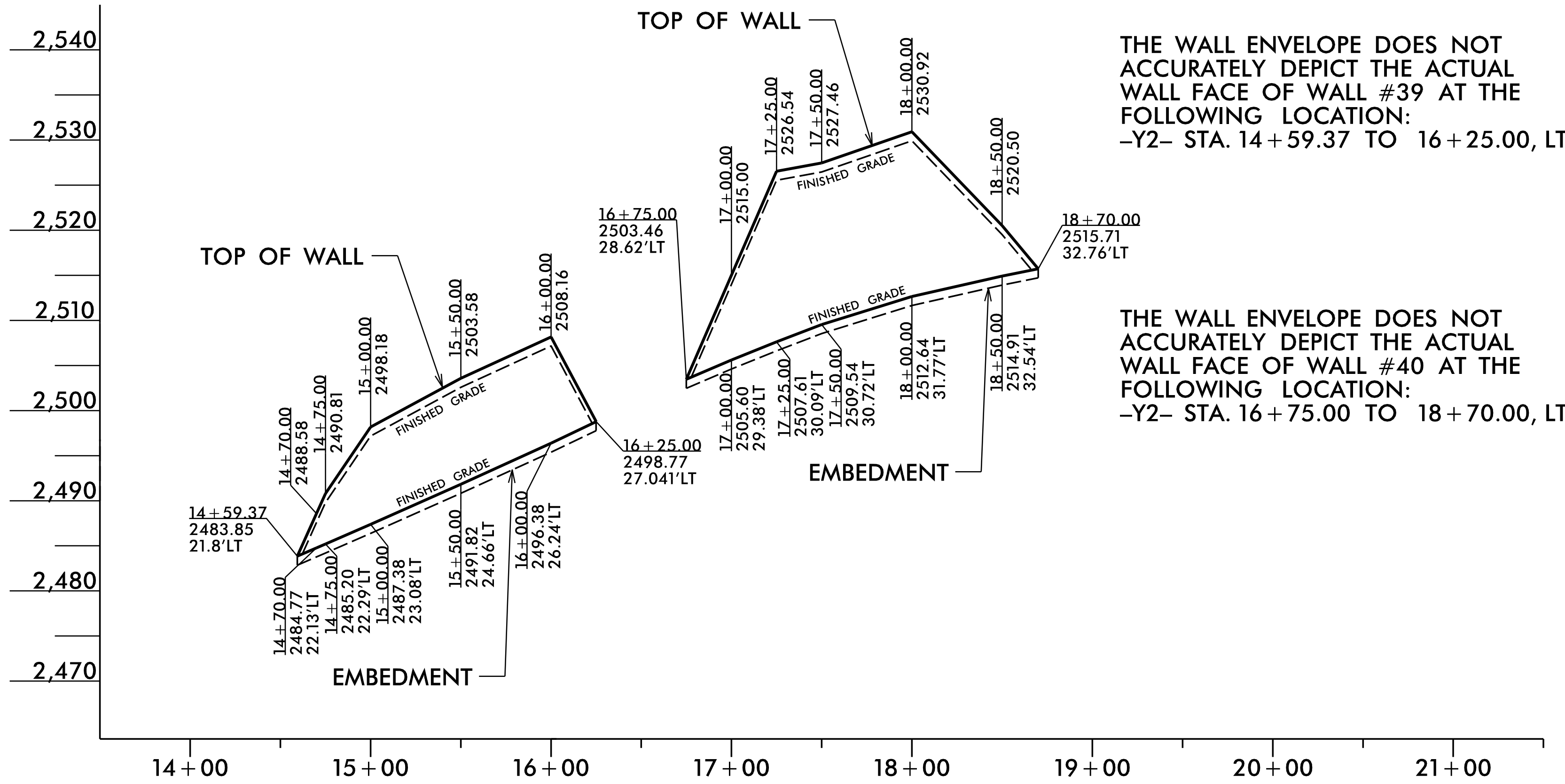
* INCLUDES RETAINING WALL EMBEDMENT

STA. -Y2-	OFFSET FROM -Y2- (RT) FT.	ELEV. @ TOP OF WALL	BOW FINISHED GRADE	TOP OF LEVELING PAD	ESTIMATED WALL EMBEDMENT FT.	WALL DESIGN HEIGHT "H"
14+59.37	21.80	2483.85	2483.85	2482.85	1.00	1.00
14+70.00	22.13	2488.58	2484.77	2483.77	1.00	3.81
14+75.00	22.29	2490.81	2485.20	2484.20	1.00	5.61
15+00.00	23.08	2498.18	2487.38	2486.38	1.00	10.80
15+50.00	24.66	2503.58	2491.82	2490.82	1.00	11.76
16+00.00	26.24	2508.16	2496.38	2495.38	1.00	11.78
16+25.00	27.04	2498.77	2498.77	2497.77	1.00	1.00

BOW = BOTTOM OF WALL
ALL MEASUREMENTS ARE IN FEET

STA. -Y2-	OFFSET FROM -Y2- (RT) FT.	ELEV. @ TOP OF WALL	BOW FINISHED GRADE	TOP OF LEVELING PAD	ESTIMATED WALL EMBEDMENT FT.	WALL DESIGN HEIGHT "H"
16+75.00	28.62	2503.46	2503.46	2502.46	1.00	1.00
17+00.00	29.38	2515.00	2505.60	2504.60	1.00	9.40
17+25.00	30.09	2526.54	2507.61	2506.61	1.00	18.93
17+50.00	30.72	2527.46	2509.54	2508.54	1.00	17.92
18+00.00	31.77	2530.92	2512.64	2511.64	1.00	18.28
18+50.00	32.54	2520.50	2514.91	2513.91	1.00	5.59
18+70.00	32.76	2515.71	2515.71	2514.71	1.00	1.00

BOW = BOTTOM OF WALL
ALL MEASUREMENTS ARE IN FEET



THE WALL ENVELOPE DOES NOT ACCURATELY DEPICT THE ACTUAL WALL FACE OF WALL #39 AT THE FOLLOWING LOCATION:
-Y2- STA. 14+59.37 TO 16+25.00, LT

THE WALL ENVELOPE DOES NOT ACCURATELY DEPICT THE ACTUAL WALL FACE OF WALL #40 AT THE FOLLOWING LOCATION:
-Y2- STA. 16+75.00 TO 18+70.00, LT

RETAINING WALL #39 & #40 - ENVELOPE
NOT TO SCALE
(LOOKING AT FACE OF WALL)

PROJECT NO.: A-0009CC
GRAHAM COUNTY
RETAINING WALL #39: -Y2- 14+59, 22' LT TO 16+25, 27' LT
RETAINING WALL #40: -Y2- 16+75, 29' LT TO 18+70, 33' LT
SHEET 1 OF 3

PREPARED BY: R. KRAL	DATE: 7/9/2022	RETAINING WALL #39 & #40 ENVELOPE AND WALL LAYOUT PROVIDED BY TGS ENGINEERS, INC.
REVIEWED BY: M. BREWER	DATE: 7/9/2022	

Prepared in the Office of:

CGE CAROLINAS GEOTECHNICAL GROUP
2400 CROWPOINT EXECUTIVE DRIVE
SUITE 800
CHARLOTTE, NC 28227
(980) 339-8684

NORTH CAROLINA DEPARTMENT OF TRANSPORTATION DIVISION OF HIGHWAYS

GEOTECHNICAL ENGINEERING UNIT

REVISIONS					
NO.	BY	DATE	NO.	BY	DATE
1			3		
2			4		

SHEET NO. W09_40-1