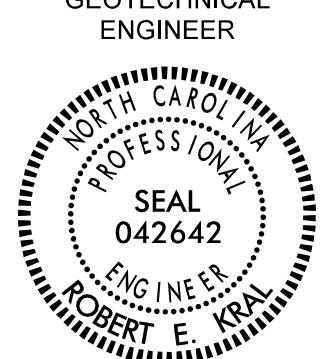
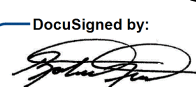
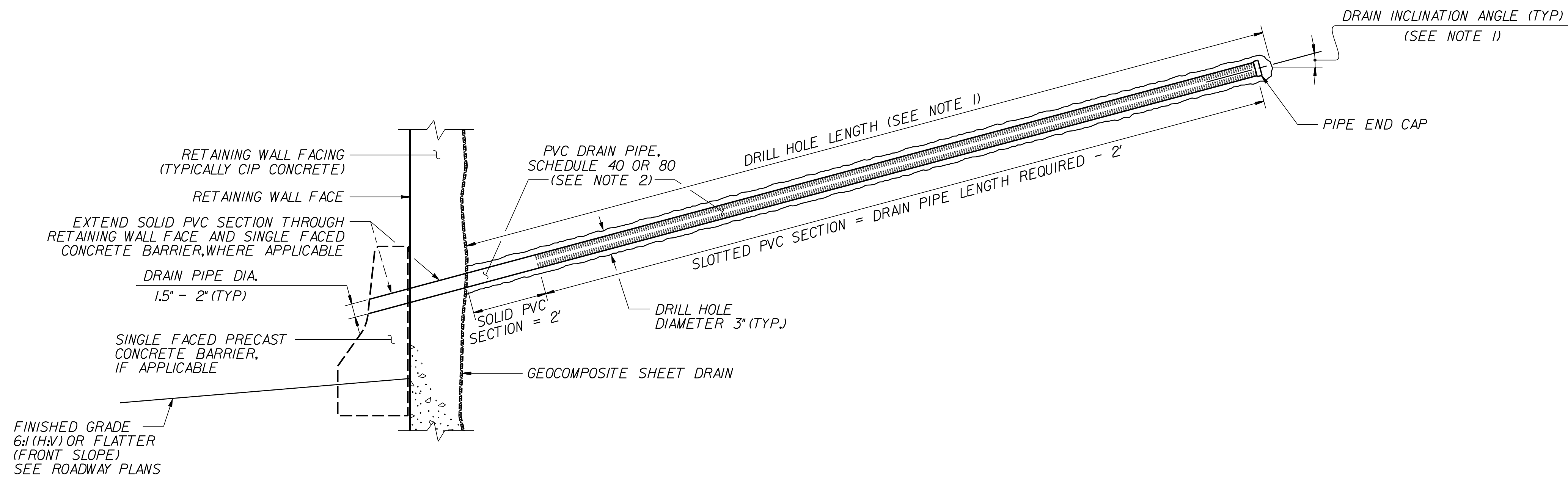
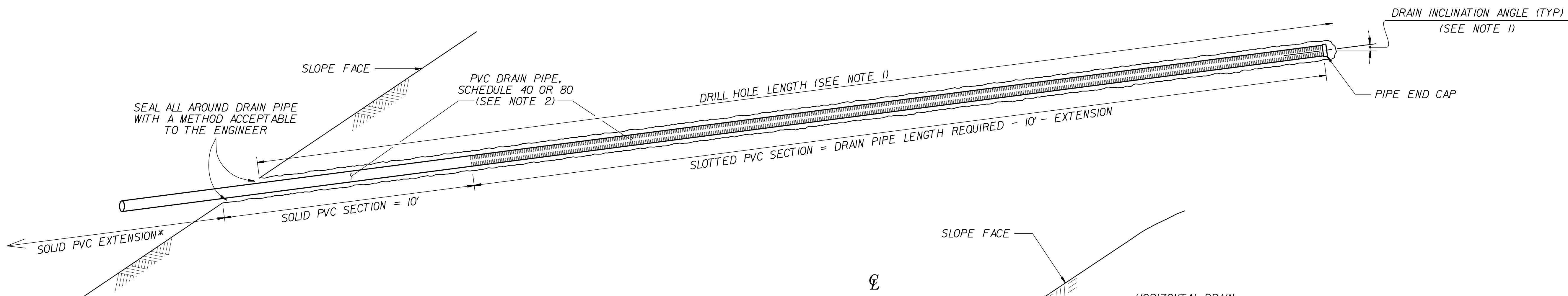


GEOTECHNICAL ENGINEER  SEAL 042642 ROBERT E. KRAL	ENGINEER
DocuSigned by:  R0ADT03B2AB484F4 SIGNATURE	08/01/2022 DATE
DOCUMENT NOT CONSIDERED FINAL UNLESS ALL SIGNATURES COMPLETED	



RETAINING WALL HORIZONTAL DRAIN



SLOPE HORIZONTAL DRAIN

***EXTEND SOLID PVC SECTION TO CONNECT PIPE TO A DRAINAGE SYSTEM OR DISCHARGE WATER AS DIRECTED**

EXAMPLE CROSS-SECTION WITH SLOPE HORIZONTAL DRAIN

***SEE NOTE 1 FOR DRAIN ELEVATIONS ABOVE (OR BELOW) GRADE**

NOTES:

1. SEE ROADWAY SUMMARY SHEETS FOR APPROXIMATE KNOWN HORIZONTAL DRAIN LOCATIONS, ELEVATIONS, INCLINATION AND LENGTHS. ADDITIONAL DRAINS MAY BE REQUIRED AS DETERMINED BY THE ENGINEER.
2. DRAIN PIPES MAY BE OMITTED FOR SOME HORIZONTAL DRAINS. SEE ROADWAY SUMMARY SHEETS FOR DRAIN PIPE REQUIREMENTS INCLUDING THOSE DRAINS WITHOUT PIPES.
3. FOR HORIZONTAL DRAINS, SEE HORIZONTAL DRAINS SPECIAL PROVISION (GT -6).

PROJECT NO.: A-0009CC

GRAHAM COUNTY

RETAINING WALL #35: -Y2- 77+94, 34' LT TO 88+25, 28' LT


SHEET 4 OF 4

PREPARED BY: R. KRAL	DATE: 7/9/2022
REVIEWED BY: M. BREWER	DATE: 7/9/2022

Prepared in the Office of:



**CAROLINAS
GEOTECHNICAL
GROUP**
2400 CROWNPOINT EXECUTIVE DRIVE
SUITE 800
CHARLOTTE, NC 28227
(980) 339-8684



**NORTH CAROLINA
DEPARTMENT OF TRANSPORTATION
DIVISION OF HIGHWAYS**

**GEOTECHNICAL
ENGINEERING UNIT**

**RETAINING WALL #35
SOIL NAIL RETAINING WALL**

REVISIONS					
NO.	BY	DATE	NO.	BY	DATE
1			3		
2			4		

SHEET NO. W35-4