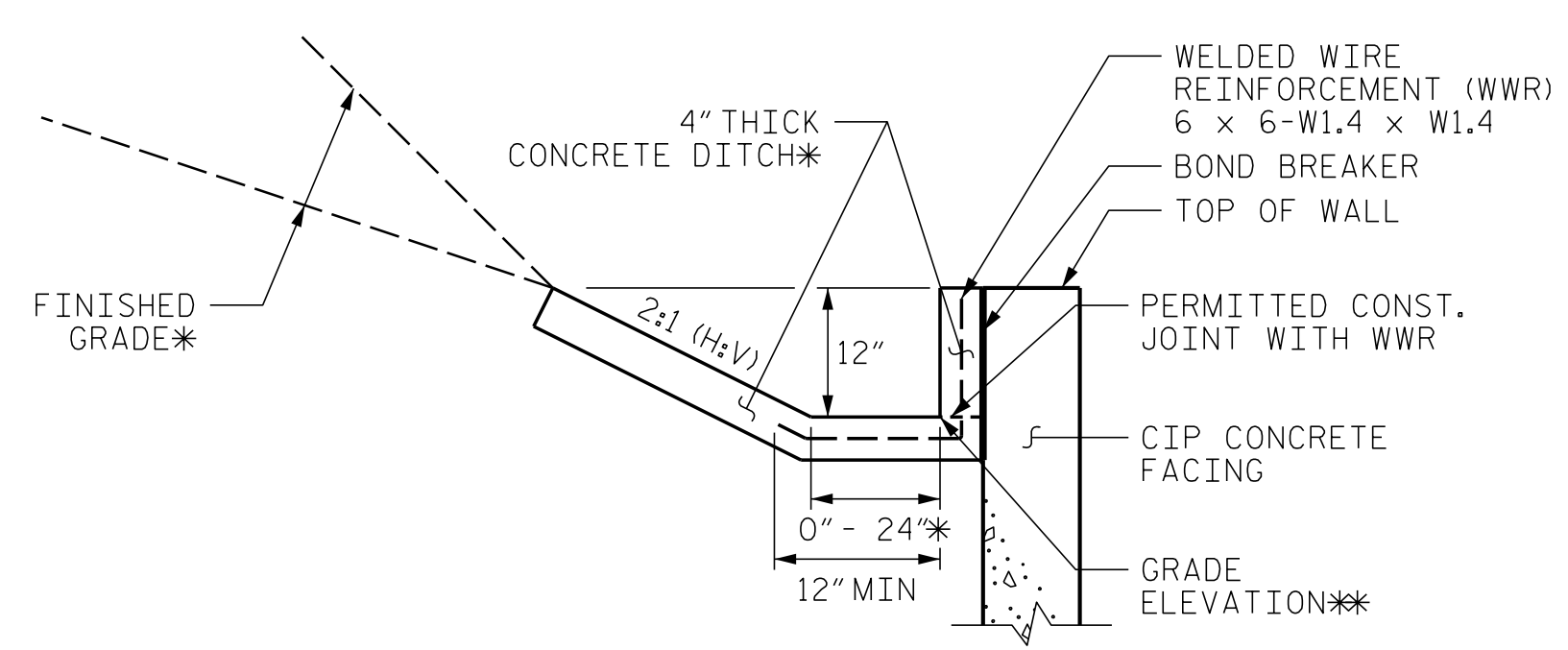
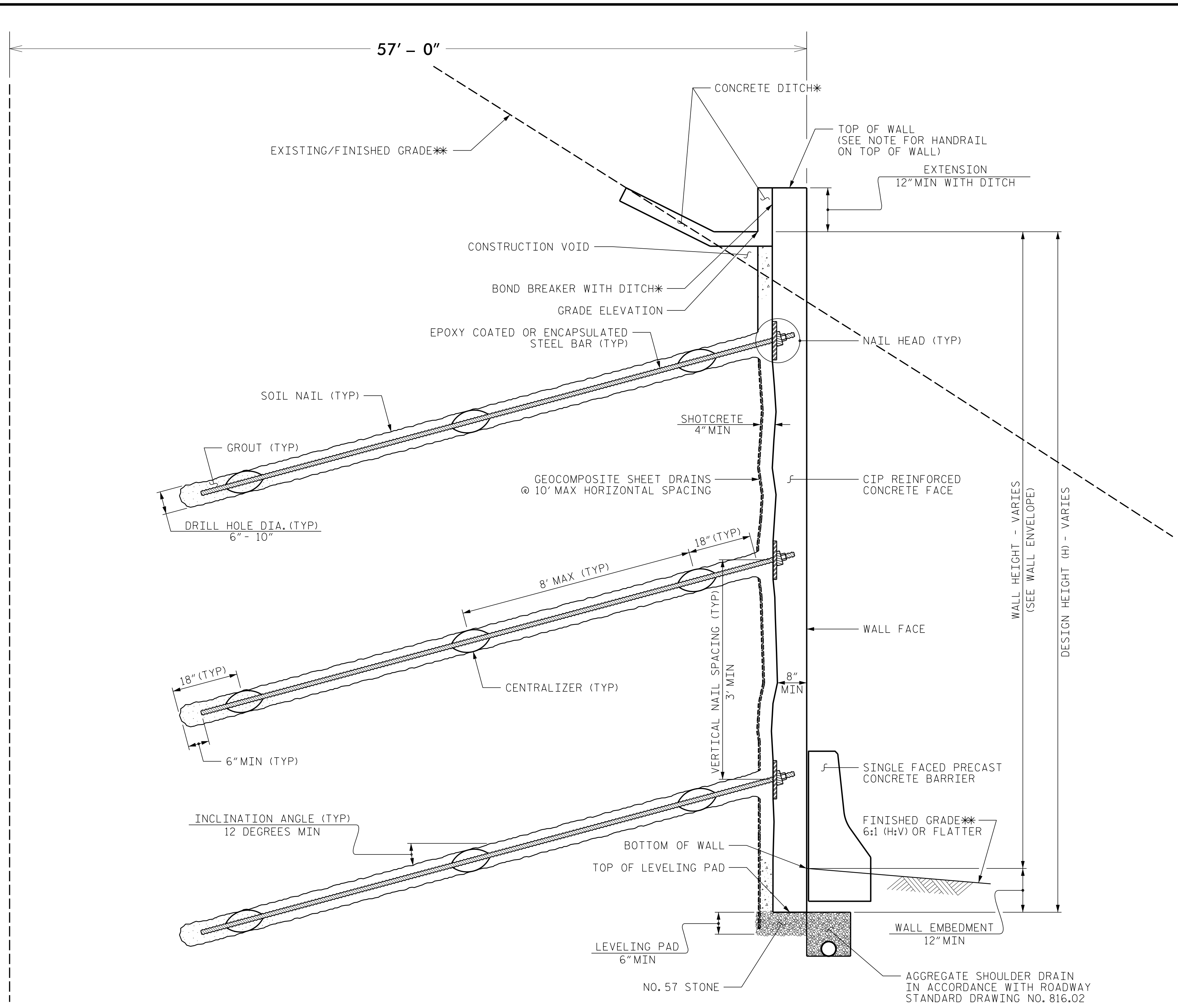


PROPOSED PERMANENT EASEMENT



CONCRETE DITCH BEHIND WALL WITH CONCRETE FACING

*SEE ROADWAY PLANS FOR CONCRETE DITCH AND FINISHED GRADE DETAILS.
 **SEE WALL ENVELOPE FOR GRADE ELEVATIONS.

SOIL NAIL WALL - TYPICAL SECTION

*SEE CONCRETE DITCH BEHIND WALL DETAILS.
 **SEE PLANS FOR FINISHED GRADE.

GEOTECHNICAL ENGINEER ROBERT E. KRAL	ENGINEER _____ DATE
DocuSigned by: SIGNATURE	08/01/2022 DATE
DOCUMENT NOT CONSIDERED FINAL UNLESS ALL SIGNATURES COMPLETED	

PROJECT NO.: A-0009CC
 GRAHAM COUNTY
 RETAINING WALL #35: -Y2- 77+94, 34' LT TO 88+25, 28' LT
 SHEET 3 OF 4

PREPARED BY: R. KRAL	DATE: 7/9/2022
REVIEWED BY: M. BREWER	DATE: 7/9/2022

Prepared in the Office of:

**CAROLINAS
 GEOTECHNICAL
 GROUP**
 2400 CROWNPOINT EXECUTIVE DRIVE
 SUITE 800
 CHARLOTTE, NC 28227
 (980) 339-8684

**NORTH CAROLINA
 DEPARTMENT OF TRANSPORTATION
 DIVISION OF HIGHWAYS**

**GEOTECHNICAL
 ENGINEERING UNIT**

REVISIONS					
NO.	BY	DATE	NO.	BY	DATE
1			3		
2			4		

SHEET NO. W35-3