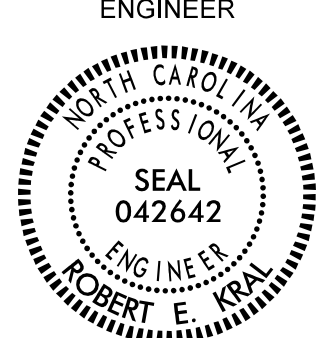
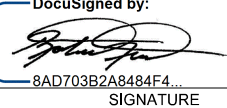
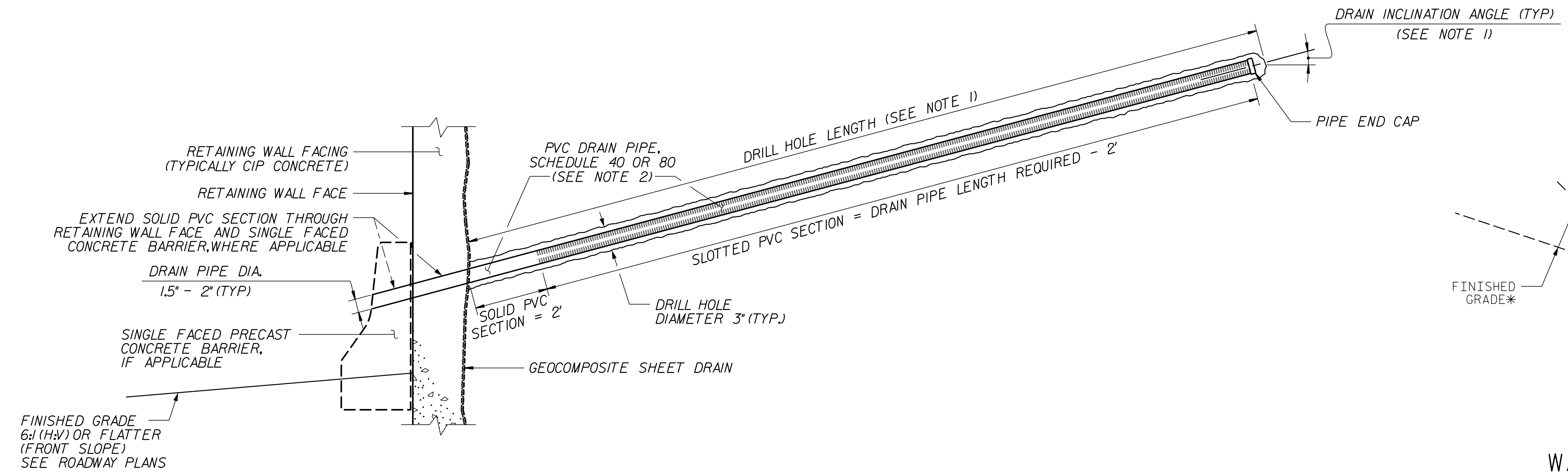
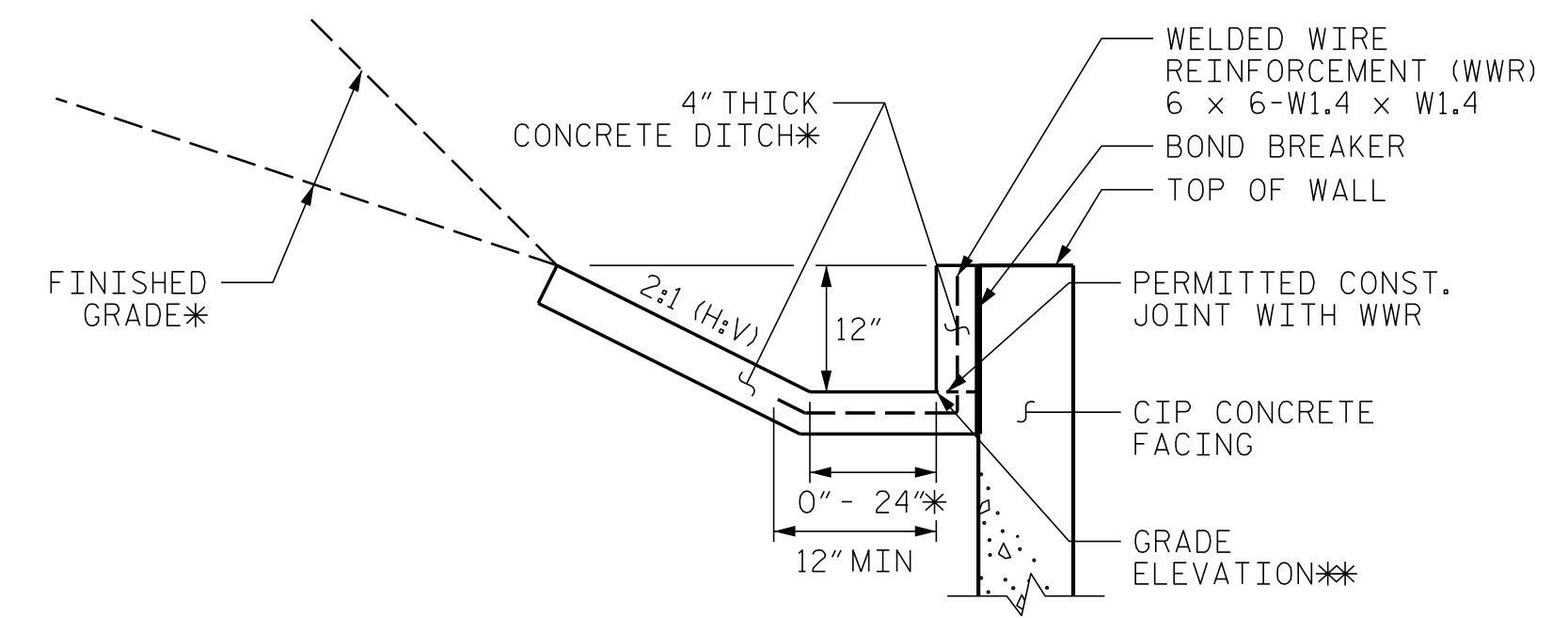


GEOTECHNICAL ENGINEER  SEAL 042642 ROBERT E. KRAL	ENGINEER  _____ SIGNATURE
DocuSigned by:  SIGNATURE	08/01/2022 DATE
<b>DOCUMENT NOT CONSIDERED FINAL UNLESS ALL SIGNATURES COMPLETED</b>	

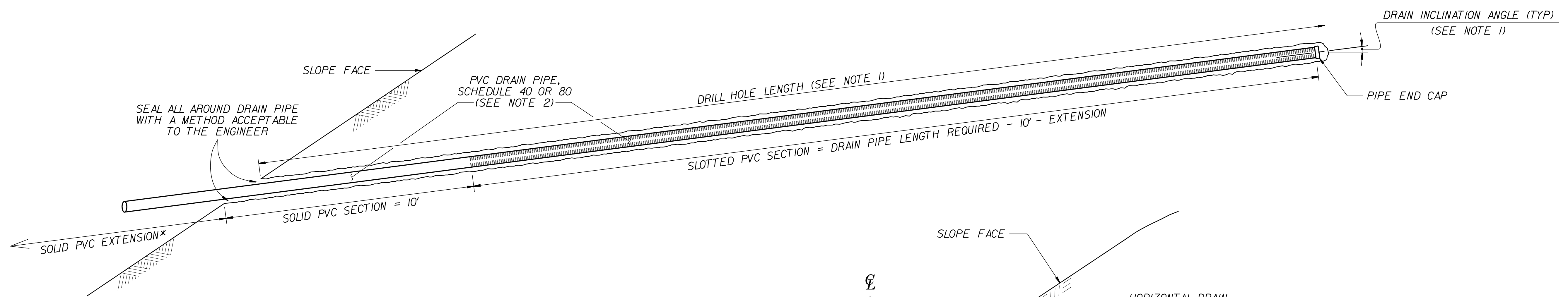


**RETAINING WALL HORIZONTAL DRAIN**



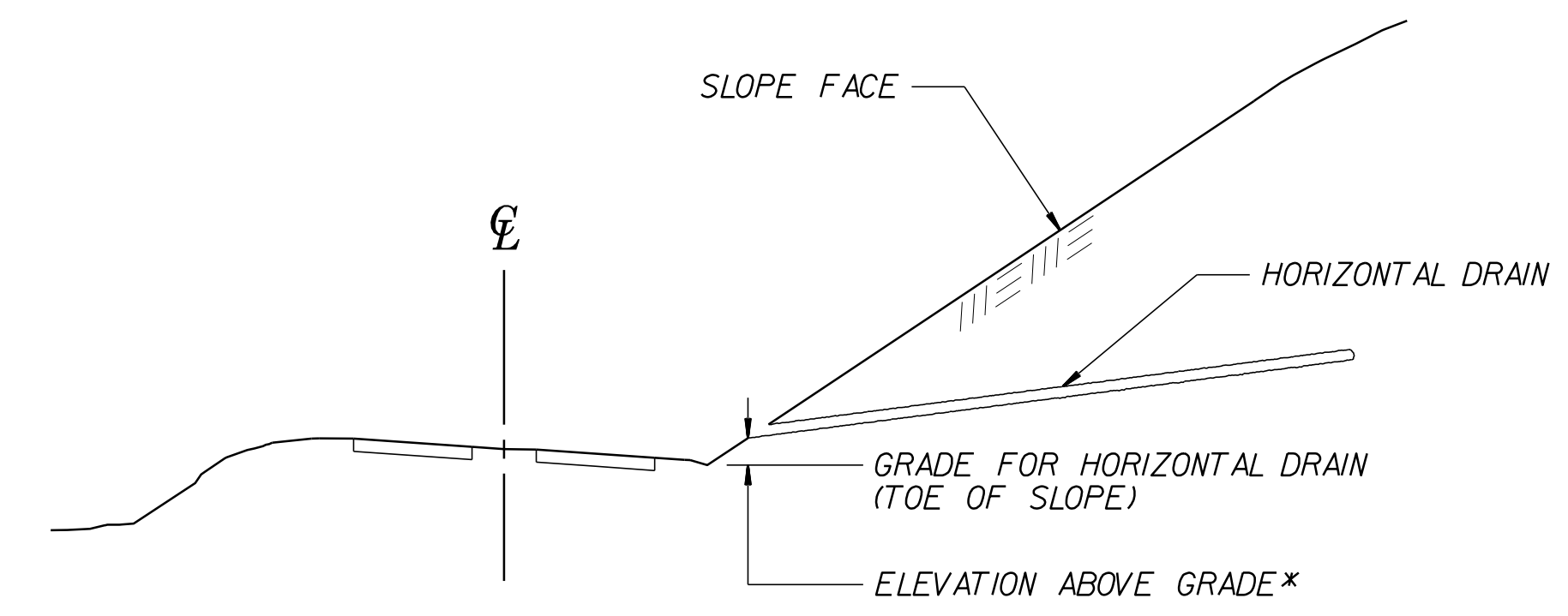
**CONCRETE DITCH BEHIND WALL WITH CONCRETE FACING**

\*SEE ROADWAY PLANS FOR CONCRETE DITCH AND FINISHED GRADE DETAILS.  
\*\*SEE WALL ENVELOPE FOR GRADE ELEVATIONS.



**SLOPE HORIZONTAL DRAIN**

\*EXTEND SOLID PVC SECTION TO CONNECT PIPE TO A DRAINAGE SYSTEM OR DISCHARGE WATER AS DIRECTED



**EXAMPLE CROSS-SECTION WITH SLOPE HORIZONTAL DRAIN**

\*SEE NOTE 1 FOR DRAIN ELEVATIONS ABOVE (OR BELOW) GRADE

**NOTES:**

1. SEE ROADWAY SUMMARY SHEETS FOR APPROXIMATE KNOWN HORIZONTAL DRAIN LOCATIONS, ELEVATIONS, INCLINATION AND LENGTHS. ADDITIONAL DRAINS MAY BE REQUIRED AS DETERMINED BY THE ENGINEER.
2. DRAIN PIPES MAY BE OMITTED FOR SOME HORIZONTAL DRAINS. SEE ROADWAY SUMMARY SHEETS FOR DRAIN PIPE REQUIREMENTS INCLUDING THOSE DRAINS WITHOUT PIPES.
3. FOR HORIZONTAL DRAINS, SEE HORIZONTAL DRAINS SPECIAL PROVISION (GT-6).

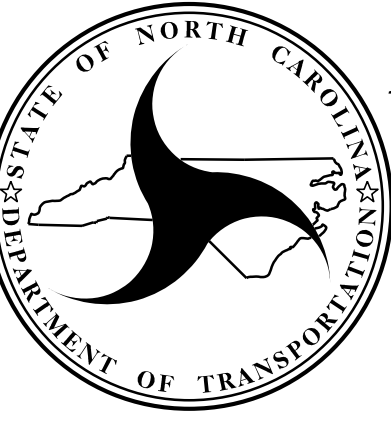
PROJECT NO.: A-0009CC  
 GRAHAM COUNTY  
 RETAINING WALL #24: -L- 453+25, 34' LT TO 456+25, 34' LT  
 SHEET 3 OF 3

PREPARED BY: R. KRAL	DATE: 7/9/2022
REVIEWED BY: M. BREWER	DATE: 7/9/2022

Prepared in the Office of:



**CAROLINAS GEOTECHNICAL GROUP**  
 2400 CROWNPOINT EXECUTIVE DRIVE  
 SUITE 800  
 CHARLOTTE, NC 28227  
 (980) 339-8684



**NORTH CAROLINA DEPARTMENT OF TRANSPORTATION DIVISION OF HIGHWAYS**

**GEOTECHNICAL ENGINEERING UNIT**

REVISIONS						SHEET NO.
NO.	BY	DATE	NO.	BY	DATE	
1			3			W24-3
2			4			