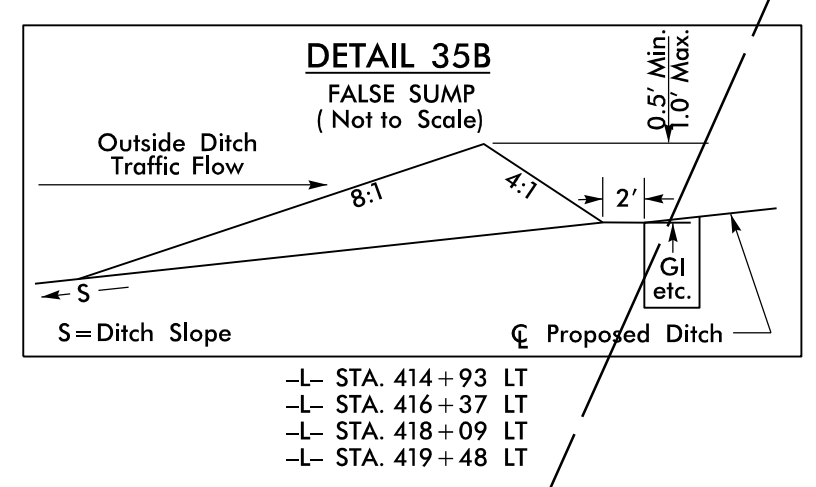
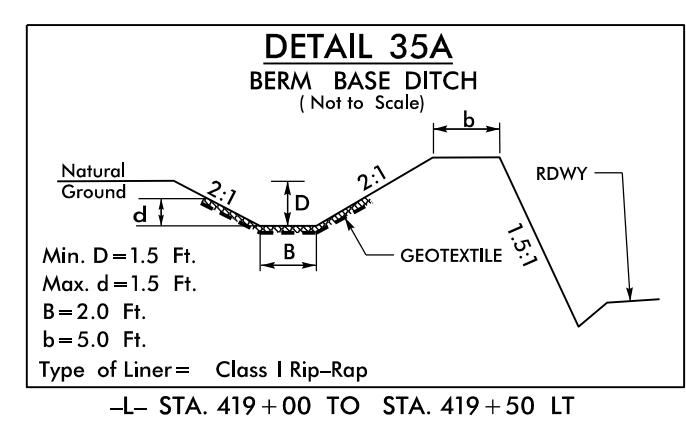
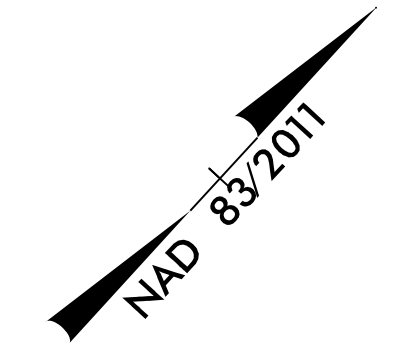


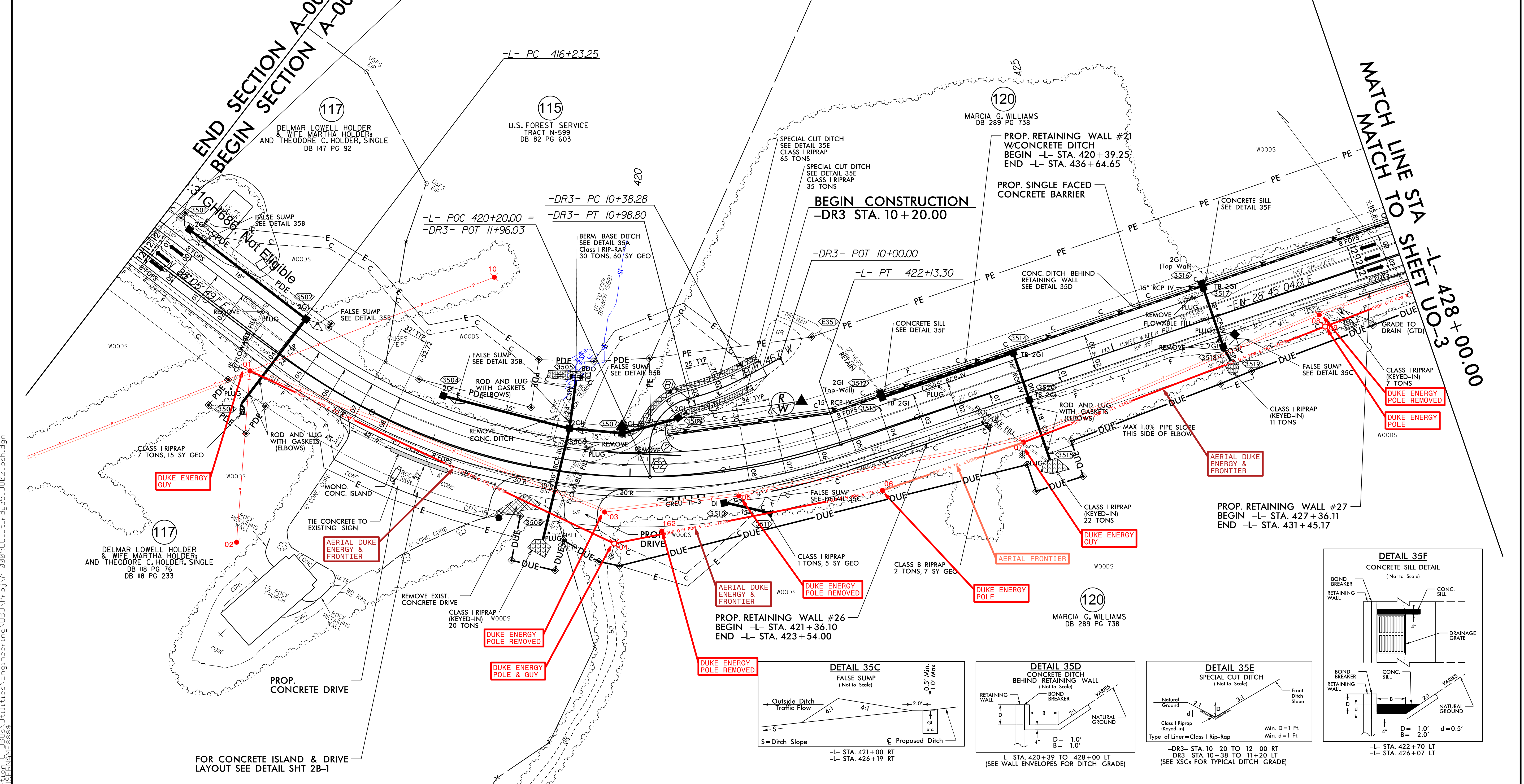
UTILITIES BY OTHERS

ALL PROPOSED UTILITY WORK SHOWN ON THIS SHEET WILL BE DONE BY OTHERS. NO PAYMENT WILL BE MADE TO THE CONTRACTOR FOR PROPOSED UTILITY WORK SHOWN ON THIS SHEET.



END SECTION A-0009CB
BEGIN SECTION A-0009CC

BEGIN TIP PROJECT A-0009CC
 -L- STA. 414 + 50.00



MATCH LINE TO SHEET UO-3
 -L- STA. 428 + 00.00

DUKE ENERGY GUY

AERIAL DUKE ENERGY & FRONTIER

DUKE ENERGY POLE REMOVED

DUKE ENERGY POLE & GUY

AERIAL DUKE ENERGY & FRONTIER

DUKE ENERGY POLE REMOVED

DUKE ENERGY POLE

DUKE ENERGY GUY

AERIAL DUKE ENERGY & FRONTIER

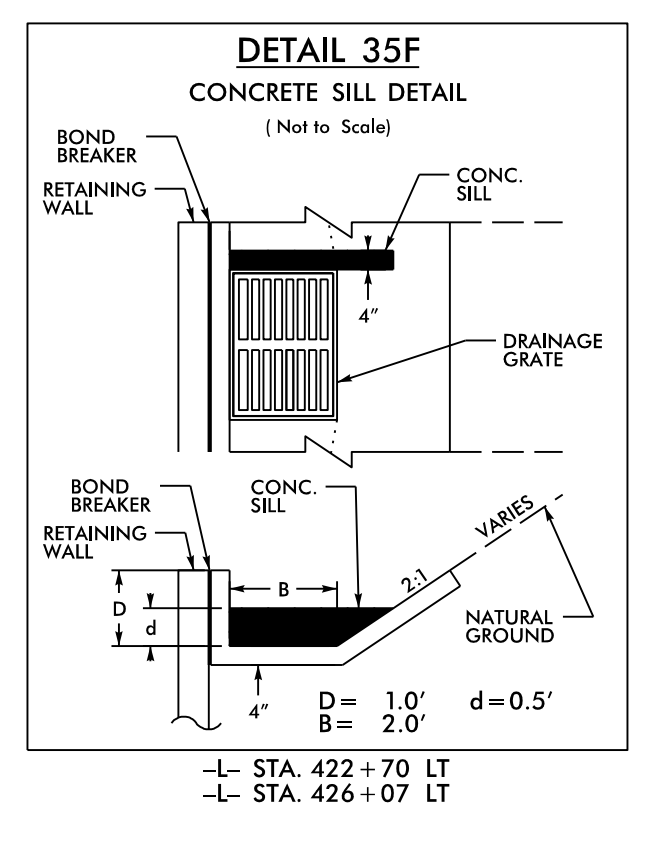
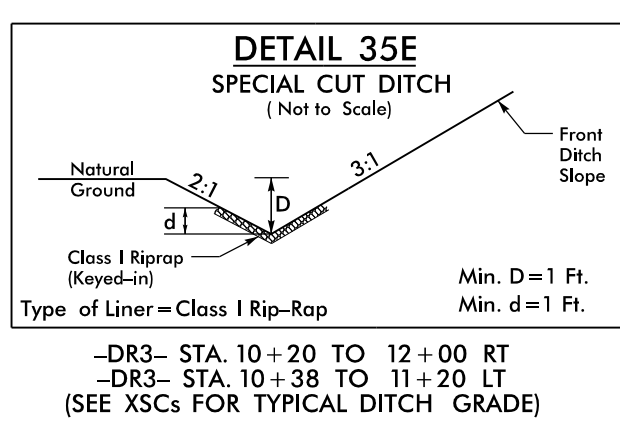
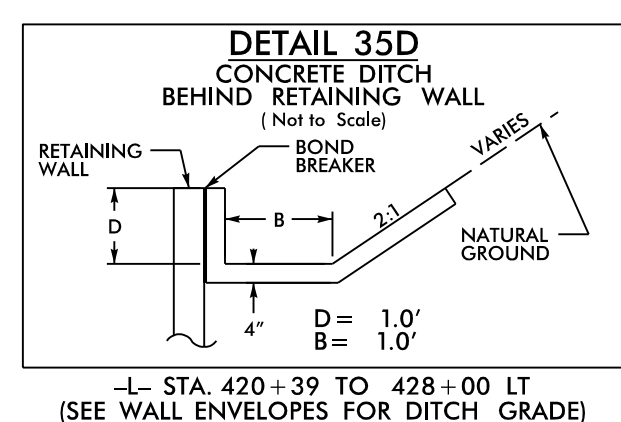
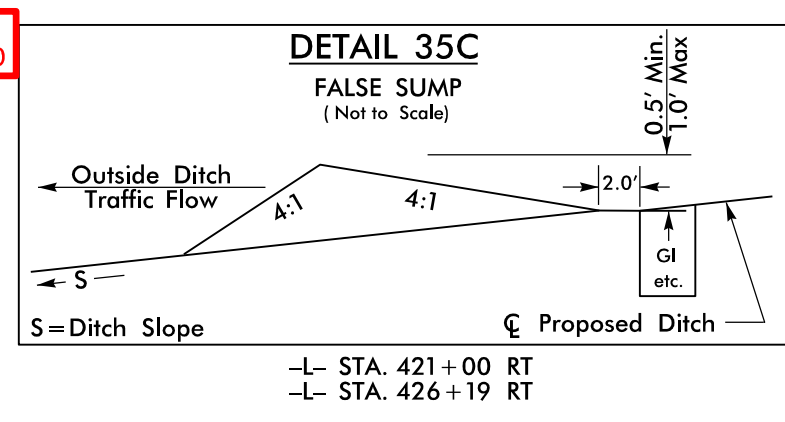
DUKE ENERGY POLE REMOVED

DUKE ENERGY POLE

PROP. RETAINING WALL #27
 BEGIN -L- STA. 427+36.11
 END -L- STA. 431+45.17

PROP. RETAINING WALL #26
 BEGIN -L- STA. 421+36.10
 END -L- STA. 423+54.00

FOR CONCRETE ISLAND & DRIVE LAYOUT SEE DETAIL SHT 2B-1



5/14/09

14-OCT-2022 07:50
 C:\Users\jgibson\Documents\Projects\A-0009CC\ut.rdj\35_U002_psh.dgn
 9c (TGS)\Utilities\Engineer\mg\UBOV\Proj\A-0009CC\ut.rdj\35_U002_psh.dgn