

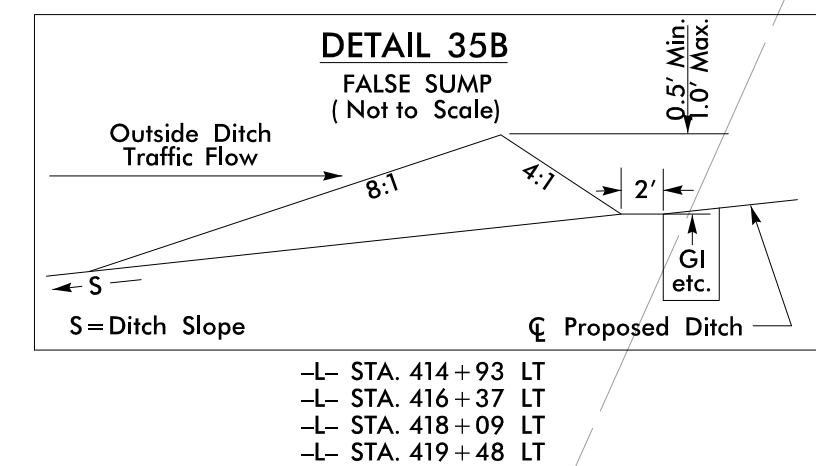
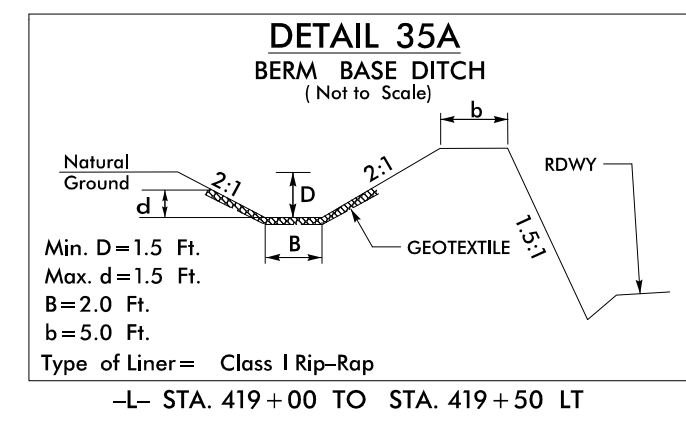
SEEDING AND PLANTING ON US FOREST SERVICE (USFS) PROPERTY WILL BE IMPLEMENTED AS DIRECTED BY THE ENGINEER ON NCDOT RIGHT OF WAY AND ADJOINING USFS PROPERTY. REFER TO THE EROSION CONTROL SPECIAL PROVISIONS.

For Slopes Excavated Greater Than 10 feet Install Matting for Erosion Control on Entire Slope as Work Allows.

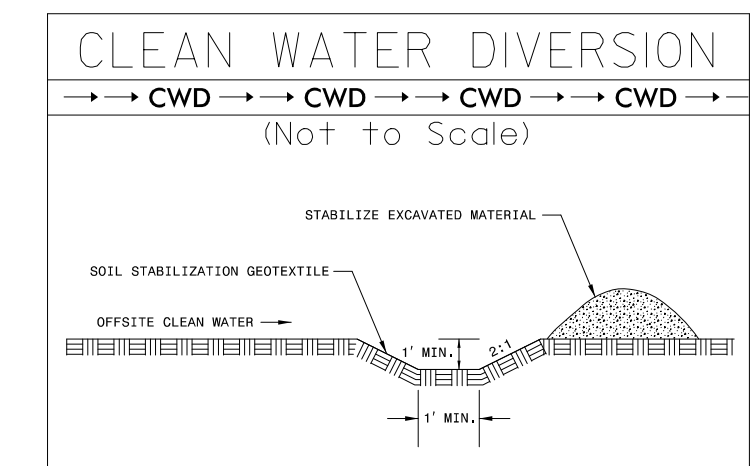
IN LIEU OF ROCK INLET SEDIMENT TRAP TYPE C, UTILIZE FABRIC INSERT INLET PROTECTION DEVICES IN AREAS WHERE WATER MAY POND ON ROAD OPEN TO LIVE TRAFFIC.

Place Matting for Erosion Control on Slopes Adjacent to Permitted Wetlands as Work Allows.

MINIMIZE CLEARING AND GRUBBING SAFETY FENCE

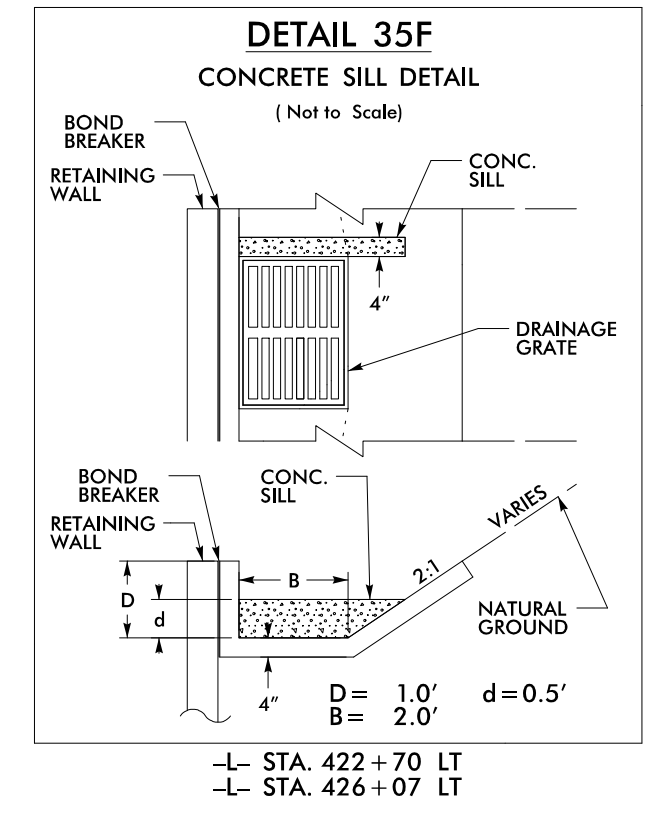
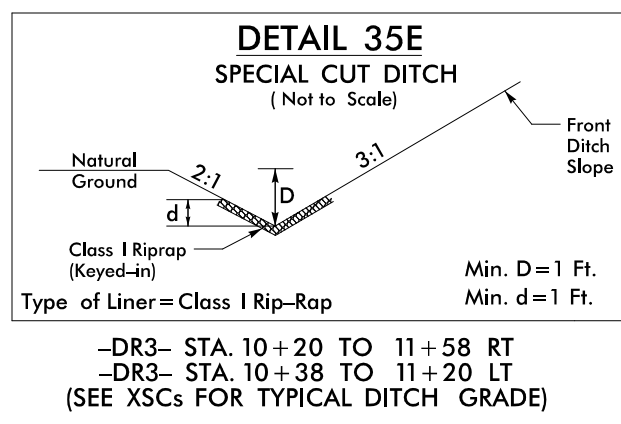
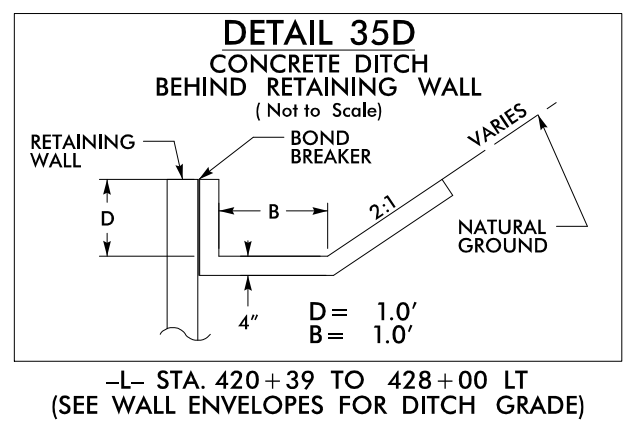
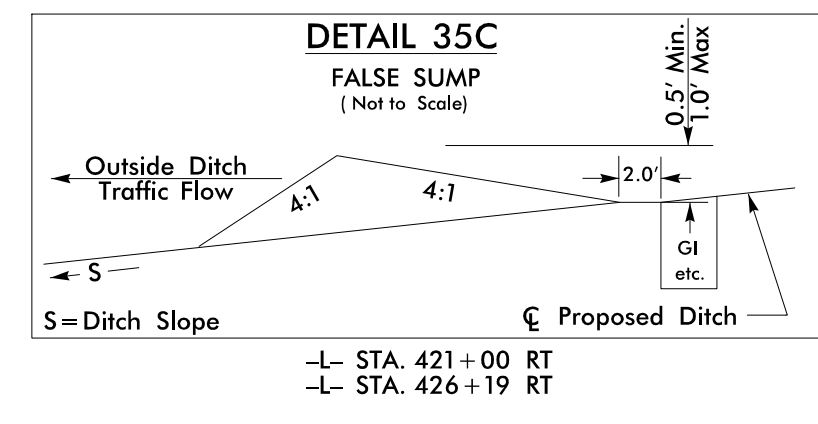
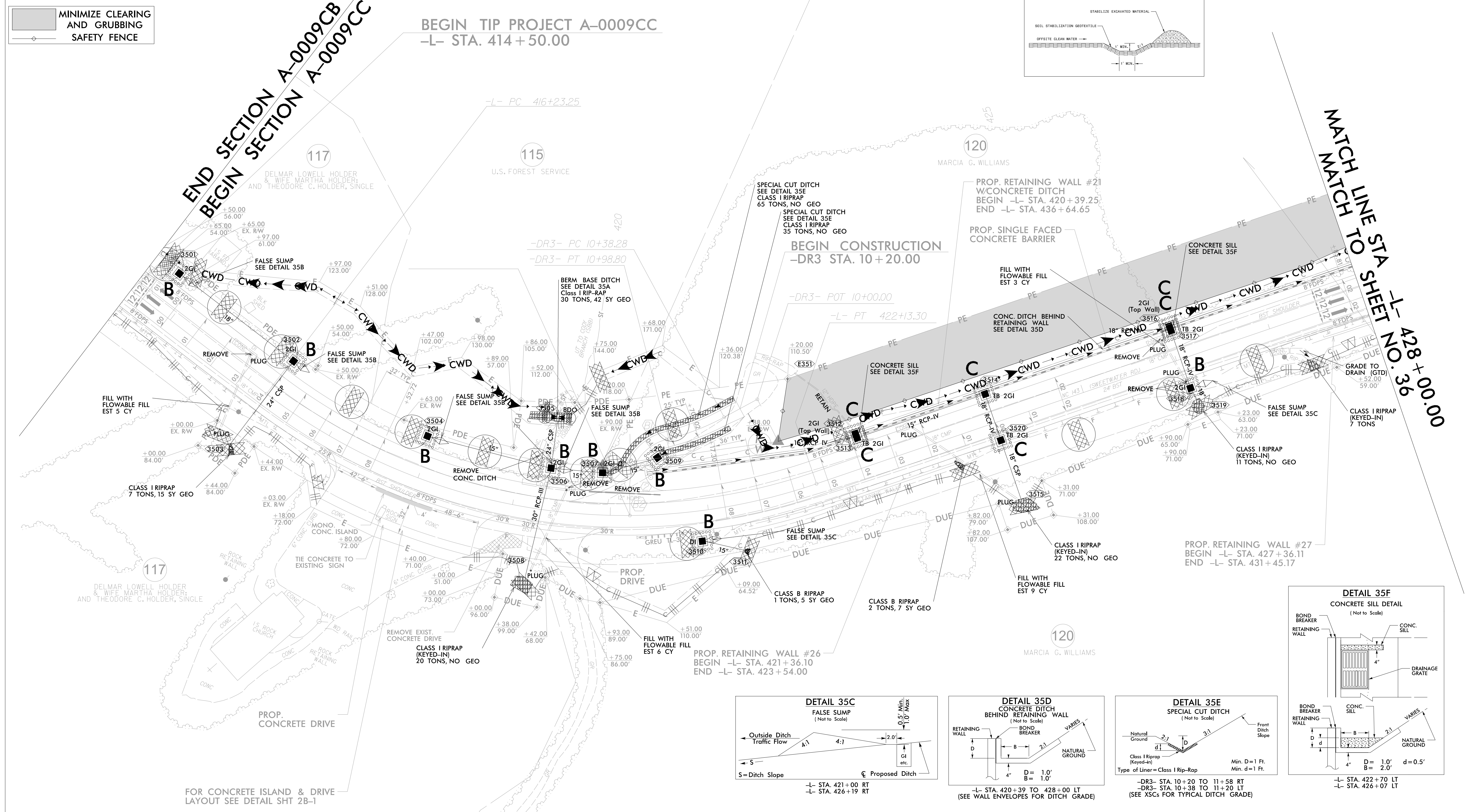


CLEAN WATER DIVERSIONS ARE INDEPENDENT OF OTHER EC DITCH LINES AND TERMINATE INTO A SC-A.



PROJECT REFERENCE NO. A-0009CC	SHEET NO. EC-14/CONST.35
ROADWAY DESIGN ENGINEER	HYDRAULICS ENGINEER
TGS ENGINEERS 201 W. MARION ST-STE 200 SHELBY, NC 28150 PH (704) 476-0003 CORP. LICENSE NO.: C-0275	

BEGIN TIP PROJECT A-0009CC
-L- STA. 414 + 50.00



FOR CONCRETE ISLAND & DRIVE LAYOUT SEE DETAIL SHT 2B-1