

STATE OF NORTH CAROLINA DEPT. OF TRANSPORTATION DIVISION OF HIGHWAYS RALEIGH, N.C.

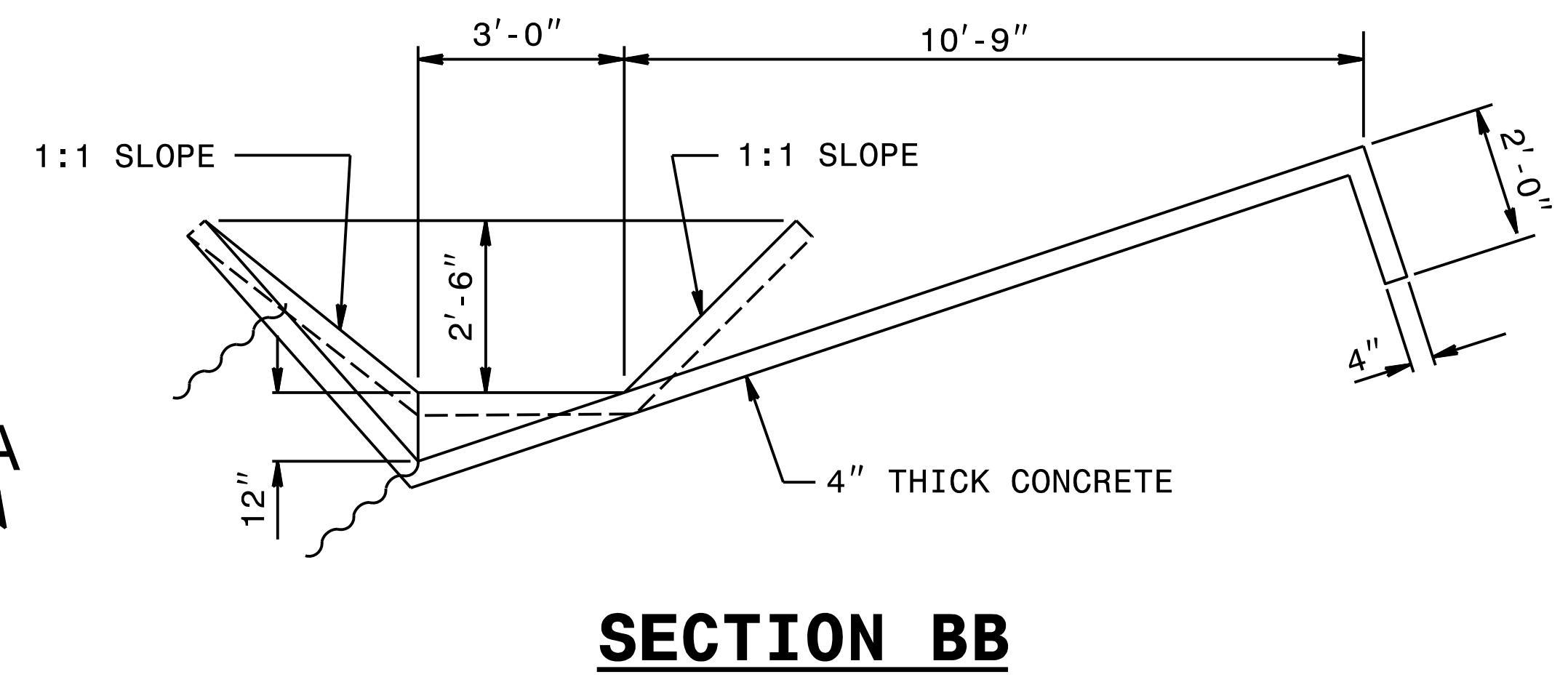
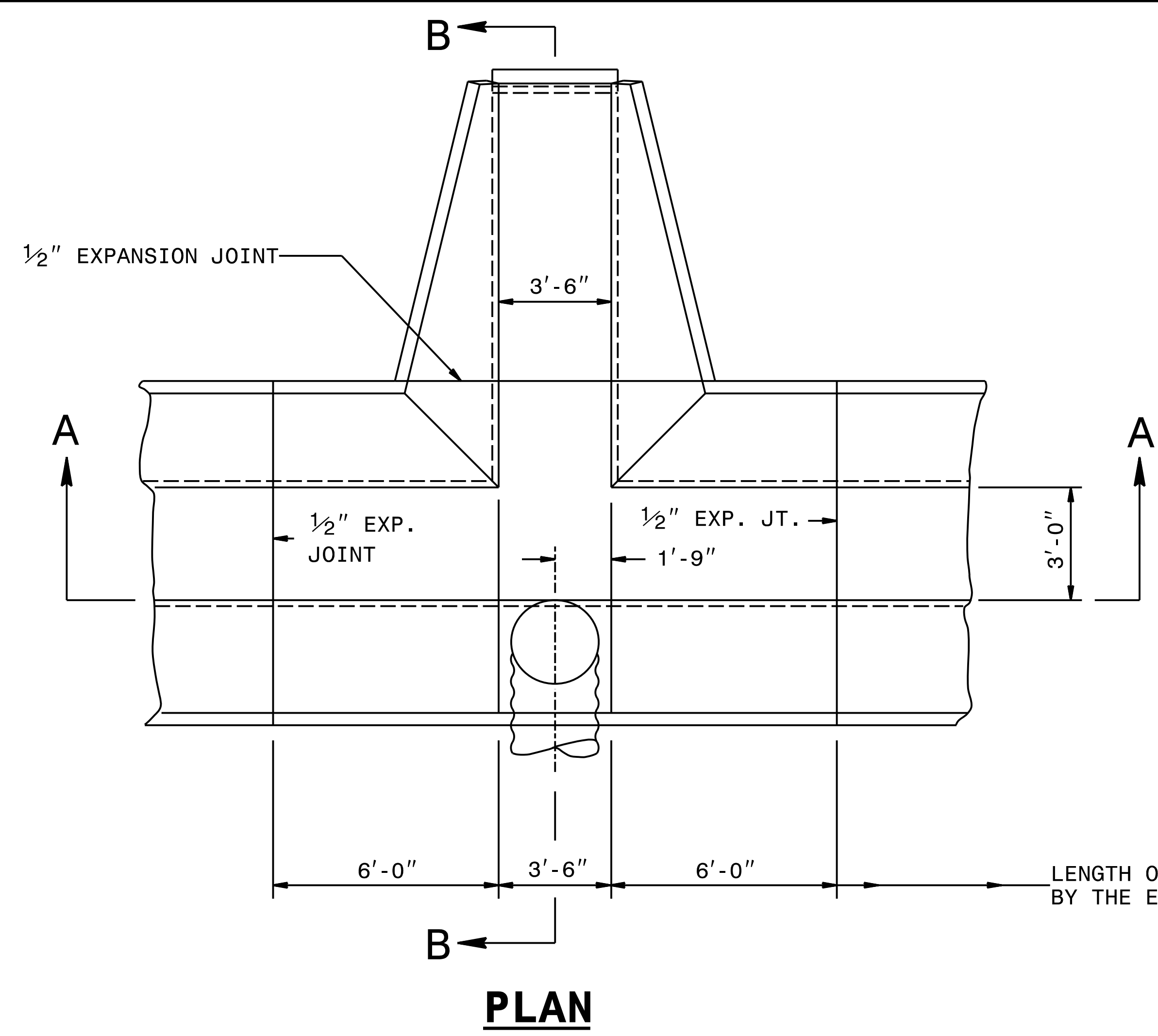
STATE OF NORTH CAROLINA DEPT. OF TRANSPORTATION DIVISION OF HIGHWAYS RALEIGH, N.C.

ENGLISH DETAIL DRAWING FOR GUIDE FOR BERM DRAINAGE OUTLET 36" PIPE

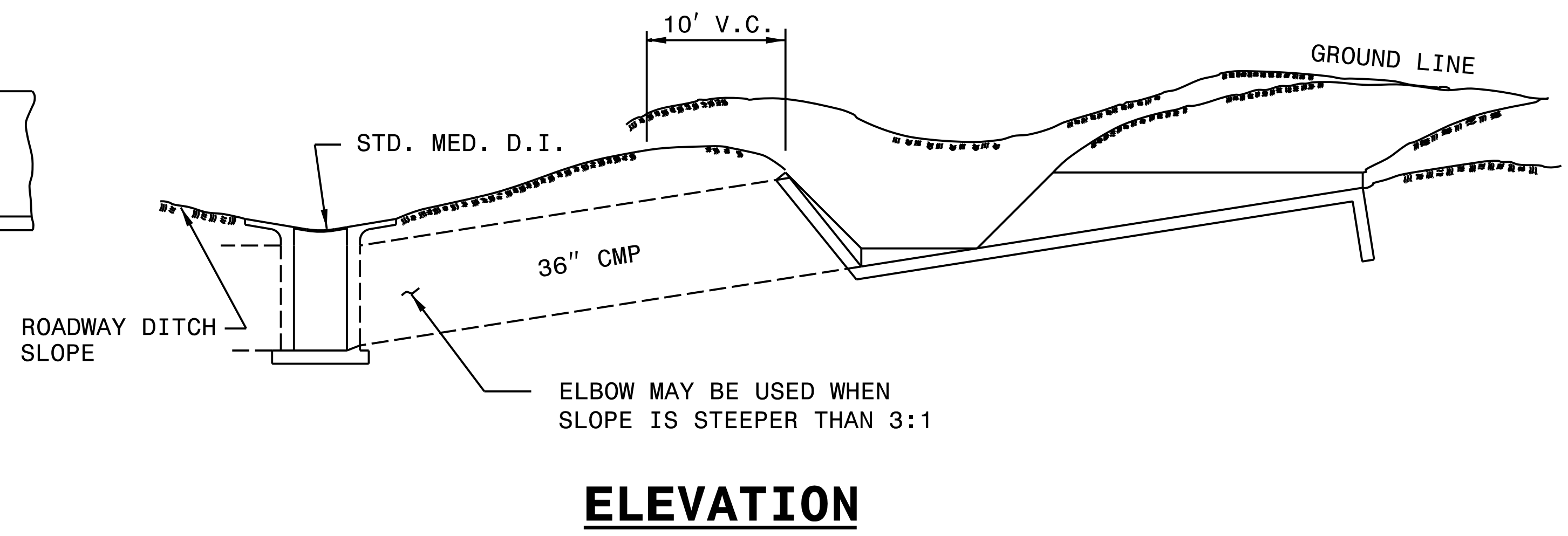
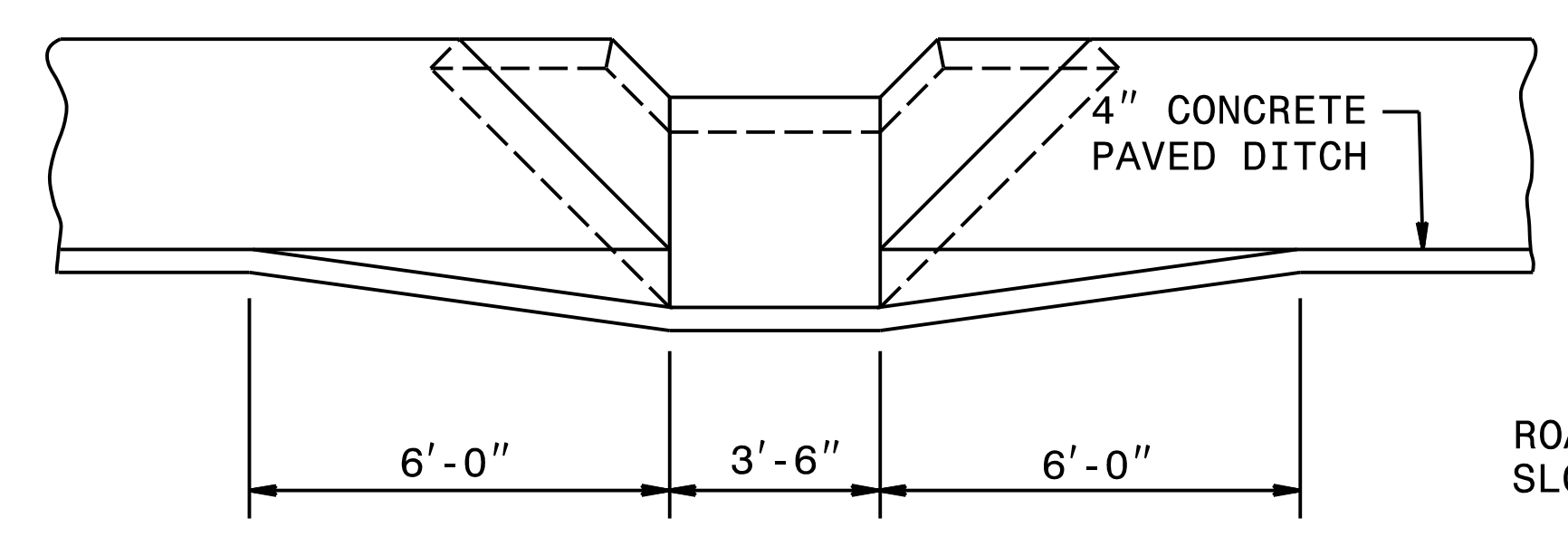
ENGLISH DETAIL DRAWING FOR GUIDE FOR BERM DRAINAGE OUTLET 36" PIPE

SHEET 1 OF 1

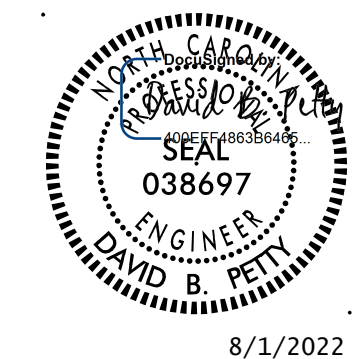
SHEET 1 OF 1



GENERAL NOTES: WHERE NECESSARY, ELBOWS MAY BE USED TO SKEW PIPE TO FIT INLETS WHERE THERE IS OFFSET BETWEEN THE INLET END AT BERM AND THE D.I.



| | |
|--|---|
| <p>DETAIL PREPARED BY:</p> <p>TGS ENGINEERS 706 HILLSBOROUGH ST SUITE 200 RALEIGH, NC 27603 PH (919) 773-8887 CORP. LICENSE NO.: C-0275</p> | <p>DETAIL PREPARED FOR:</p> <p>NORTH CAROLINA DEPARTMENT OF TRANSPORTATION</p> <p>DIVISION 14 252 Webster Rd Sylva, NC 28779</p> |
|--|---|



SEE PLATE FOR TITLE

ORIGINAL BY: 2002 STANDARDS DATE: 01-15-02
MODIFIED BY: DAVID B. PETTY DATE: 3-16-22
CHECKED BY: DATE:
FILE SPEC.: usr/details/stand/850d01.dgn

DOCUMENT NOT CONSIDERED FINAL UNLESS ALL SIGNATURES COMPLETED

X:\NC\0001\A-0009\A-0009\Drainage\Special Details for A-0009\850d01 Special Design 8D0.dgn User:zrichard 3/18/2022