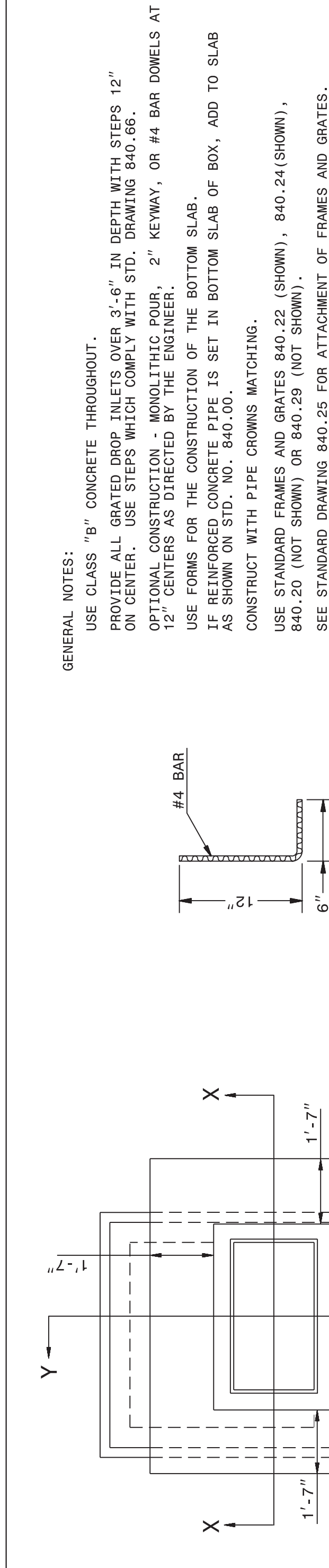


STATE OF
NORTH CAROLINA
DEPT. OF TRANSPORTATION
DIVISION OF HIGHWAYS
RALEIGH, N.C.

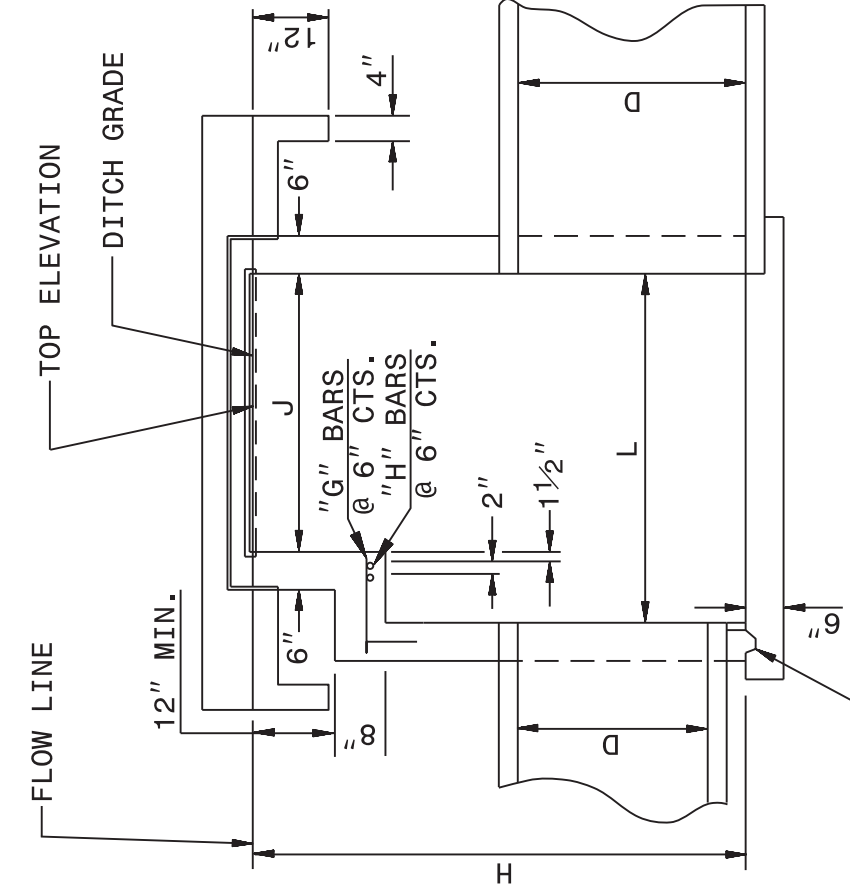
ENGLISH DETAIL DRAWING FOR
CONCRETE GRATED DROP INLET TYPE 'A'
MINIMUM DEPTH
12" THRU 72" PIPE

SHEET 1 OF 2
840d17

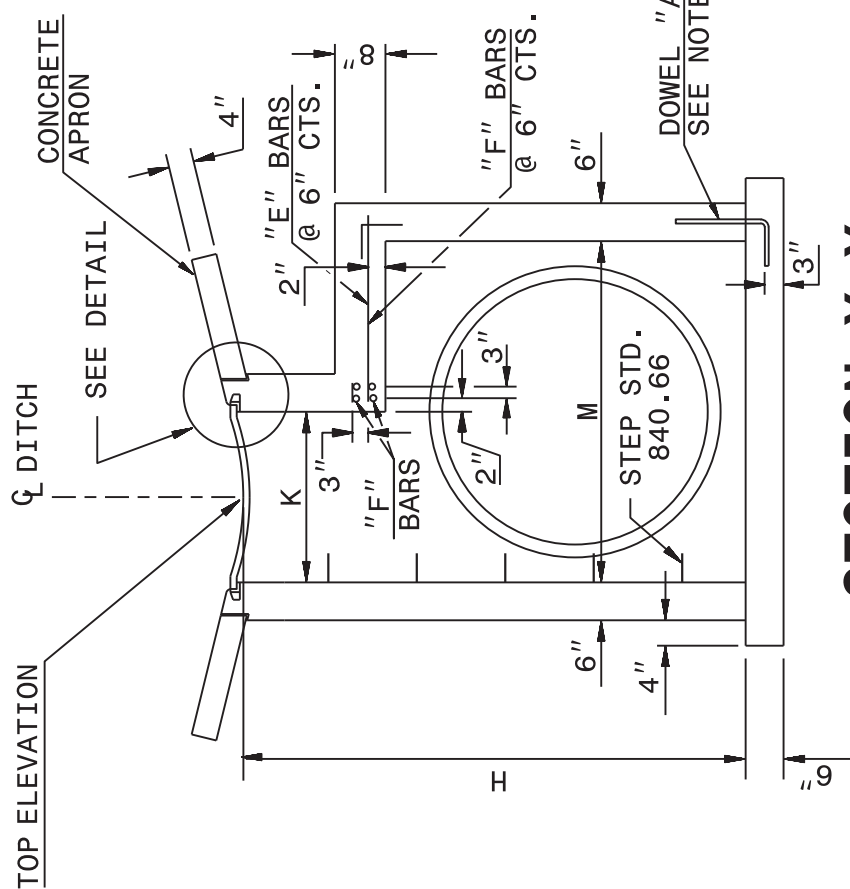


DOWEL - A

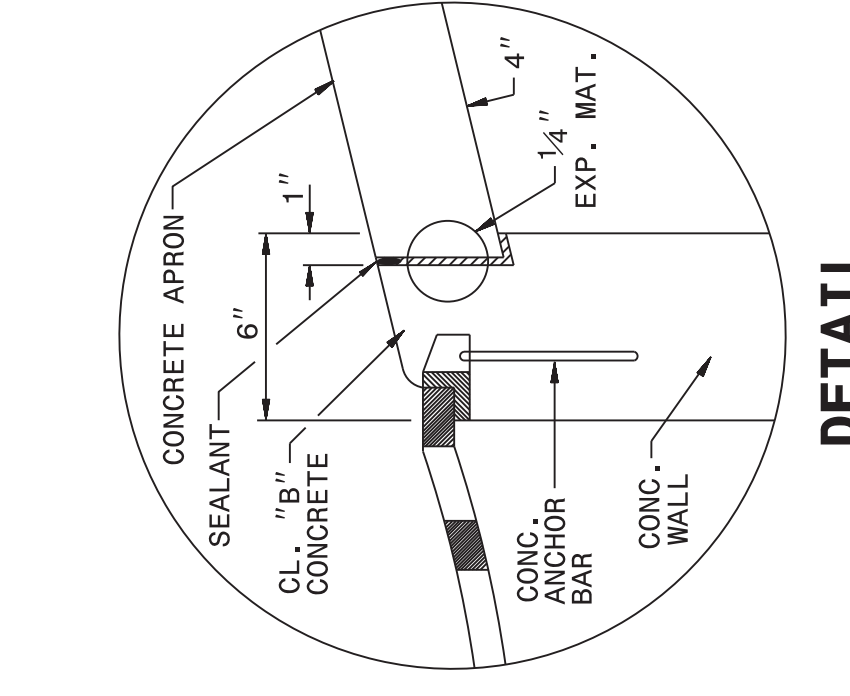
GENERAL NOTES:
USE CLASS "B" CONCRETE THROUGHOUT.
PROVIDE ALL GRATED DROP INLETS OVER 3'-6" IN DEPTH WITH STEPS 12" ON CENTER. USE STEPS WHICH COMPLY WITH STD. DRAWING 840.66.
OPTIONAL CONSTRUCTION - MONOLITHIC POUR, 2" KEYWAY, OR #4 BAR DOWELS AT 12" CENTERS AS DIRECTED BY THE ENGINEER.
USE FORMS FOR THE CONSTRUCTION OF THE BOTTOM SLAB.
IF REINFORCED CONCRETE PIPE IS SET IN BOTTOM SLAB OF BOX, ADD TO SLAB AS SHOWN ON STD. NO. 840.00.
CONSTRUCT WITH PIPE CROWNS MATCHING.
USE STANDARD FRAMES AND GRATES 840.22 (SHOWN), 840.24 (SHOWN), 840.20 (NOT SHOWN) OR 840.29 (NOT SHOWN).
SEE STANDARD DRAWING 840.25 FOR ATTACHMENT OF FRAMES AND GRATES.
CHAMFER ALL EXPOSED CORNERS 1".
DRAWING NOT TO SCALE.
MAX. DEPTH OF THIS STRUCTURE FROM TOP OF BOTTOM SLAB TO TOP ELEVATION IS 12 FEET.



SECTION X-X



SECTION Y-Y



DETAIL
(APRON SUPPORT NOTCH)

STATE OF
NORTH CAROLINA
DEPT. OF TRANSPORTATION
DIVISION OF HIGHWAYS
RALEIGH, N.C.

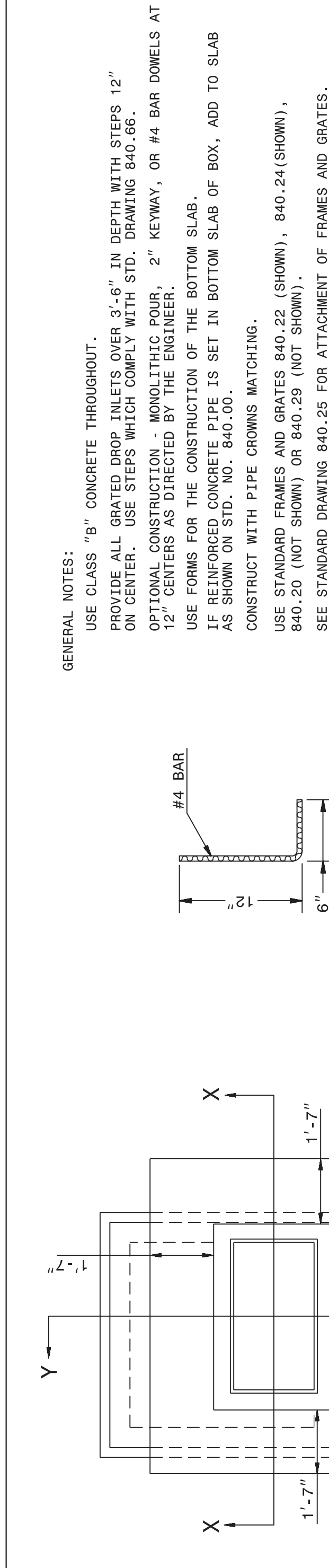
ENGLISH DETAIL DRAWING FOR
CONCRETE GRATED DROP INLET TYPE 'A'
MINIMUM DEPTH
12" THRU 72" PIPE

SHEET 1 OF 2
840d17

STATE OF
NORTH CAROLINA
DEPT. OF TRANSPORTATION
DIVISION OF HIGHWAYS
RALEIGH, N.C.

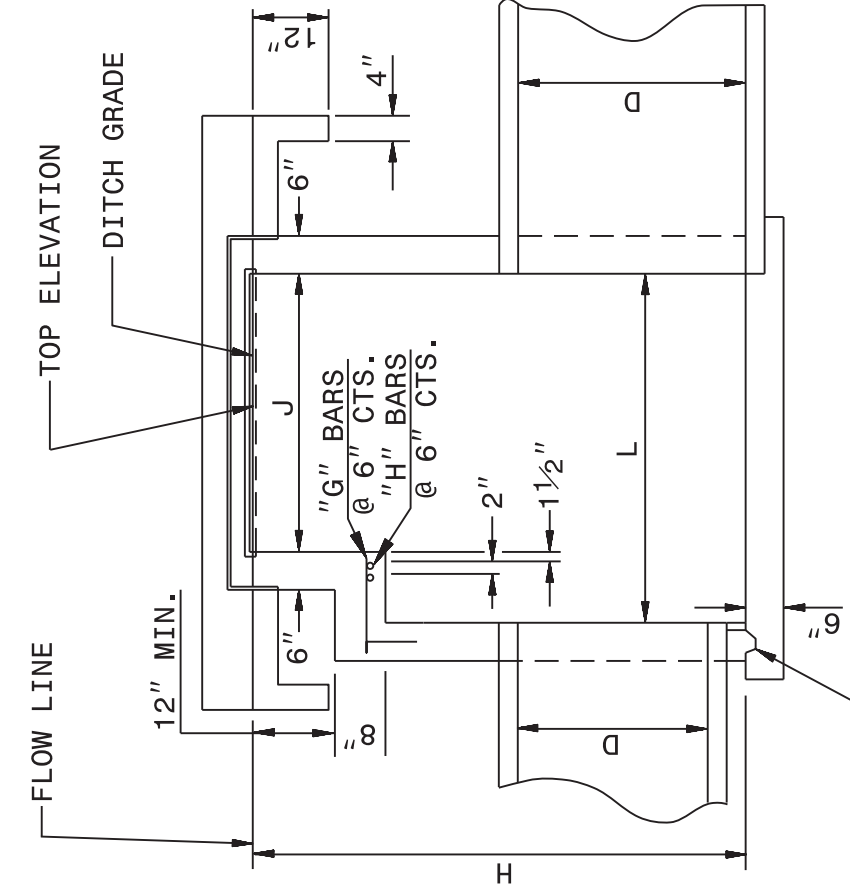
ENGLISH DETAIL DRAWING FOR
CONCRETE GRATED DROP INLET TYPE 'A'
MINIMUM DEPTH
12" THRU 72" PIPE

SHEET 2 OF 2
840d17

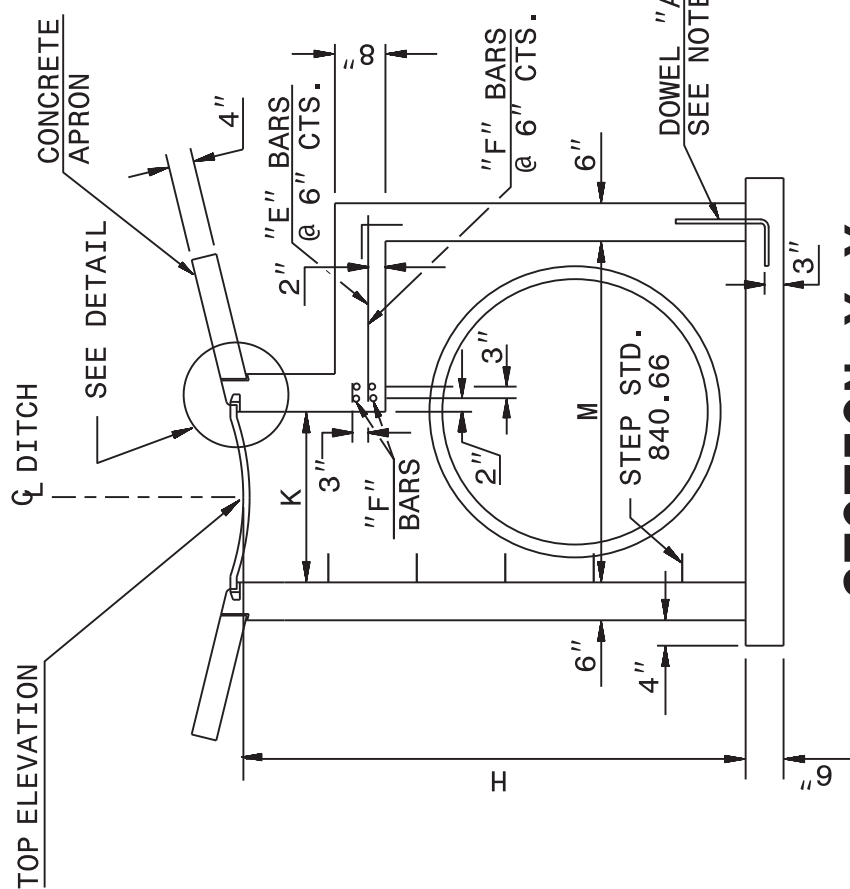


DOWEL - B1

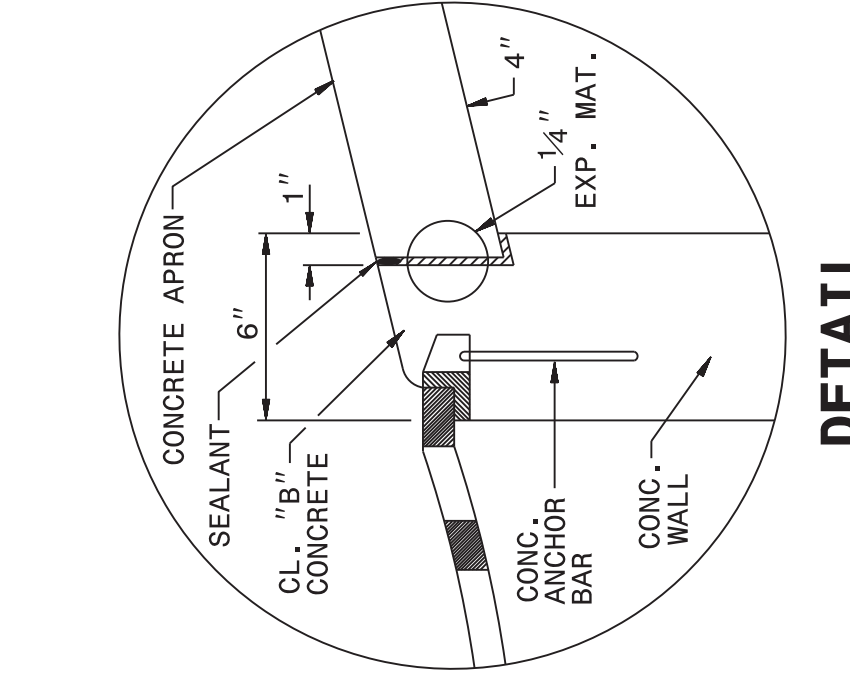
GENERAL NOTES:
USE CLASS "B" CONCRETE THROUGHOUT.
PROVIDE ALL GRATED DROP INLETS OVER 3'-6" IN DEPTH WITH STEPS 12" ON CENTER. USE STEPS WHICH COMPLY WITH STD. DRAWING 840.66.
OPTIONAL CONSTRUCTION - MONOLITHIC POUR, 2" KEYWAY, OR #4 BAR DOWELS AT 12" CENTERS AS DIRECTED BY THE ENGINEER.
USE FORMS FOR THE CONSTRUCTION OF THE BOTTOM SLAB.
IF REINFORCED CONCRETE PIPE IS SET IN BOTTOM SLAB OF BOX, ADD TO SLAB AS SHOWN ON STD. NO. 840.00.
CONSTRUCT WITH PIPE CROWNS MATCHING.
USE STANDARD FRAMES AND GRATES 840.22 (SHOWN), 840.24 (SHOWN), 840.20 (NOT SHOWN) OR 840.29 (NOT SHOWN).
SEE STANDARD DRAWING 840.25 FOR ATTACHMENT OF FRAMES AND GRATES.
CHAMFER ALL EXPOSED CORNERS 1".
DRAWING NOT TO SCALE.
MAX. DEPTH OF THIS STRUCTURE FROM TOP OF BOTTOM SLAB TO TOP ELEVATION IS 12 FEET.



SECTION X-X



SECTION Y-Y



DETAIL
(APRON SUPPORT NOTCH)

STATE OF
NORTH CAROLINA
DEPT. OF TRANSPORTATION
DIVISION OF HIGHWAYS
RALEIGH, N.C.

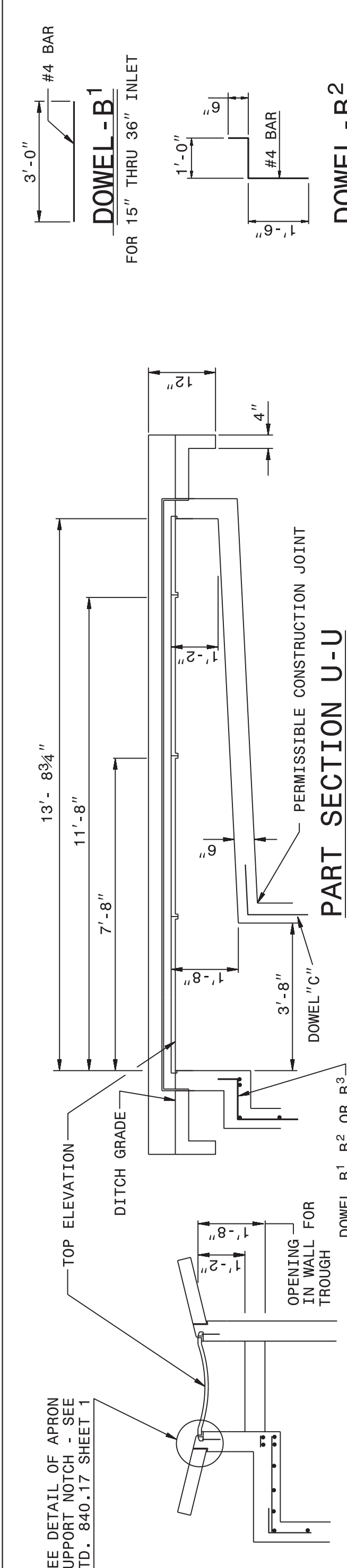
ENGLISH DETAIL DRAWING FOR
CONCRETE GRATED DROP INLET TYPE 'A'
MINIMUM DEPTH
12" THRU 72" PIPE

SHEET 2 OF 2
840d17

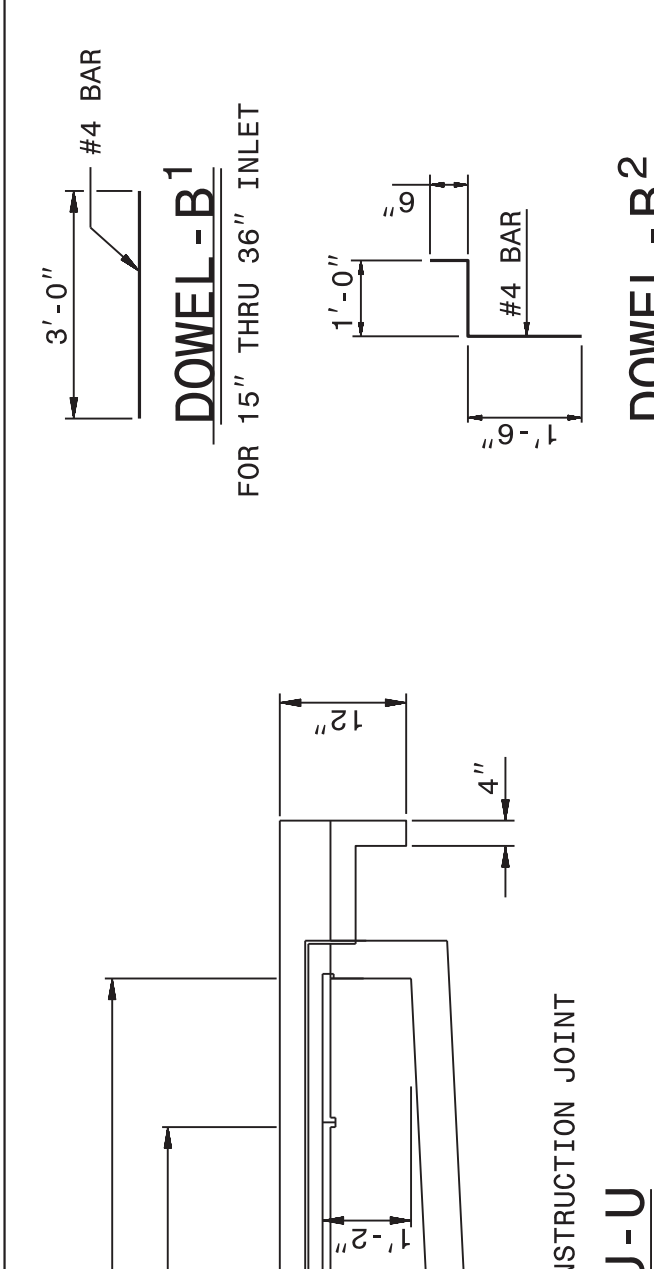
STATE OF
NORTH CAROLINA
DEPT. OF TRANSPORTATION
DIVISION OF HIGHWAYS
RALEIGH, N.C.

ENGLISH DETAIL DRAWING FOR
CONCRETE GRATED DROP INLET TYPE 'A'
MINIMUM DEPTH
12" THRU 72" PIPE

SHEET 2 OF 2
840d17



PART SECTION U-U

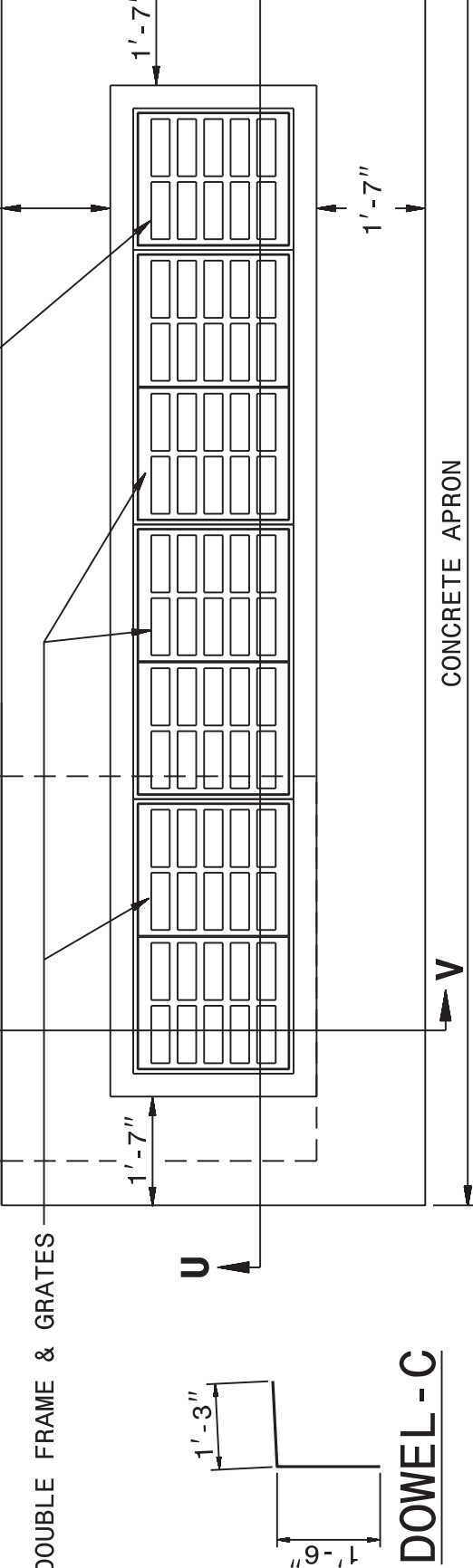


PART SECTION V-V

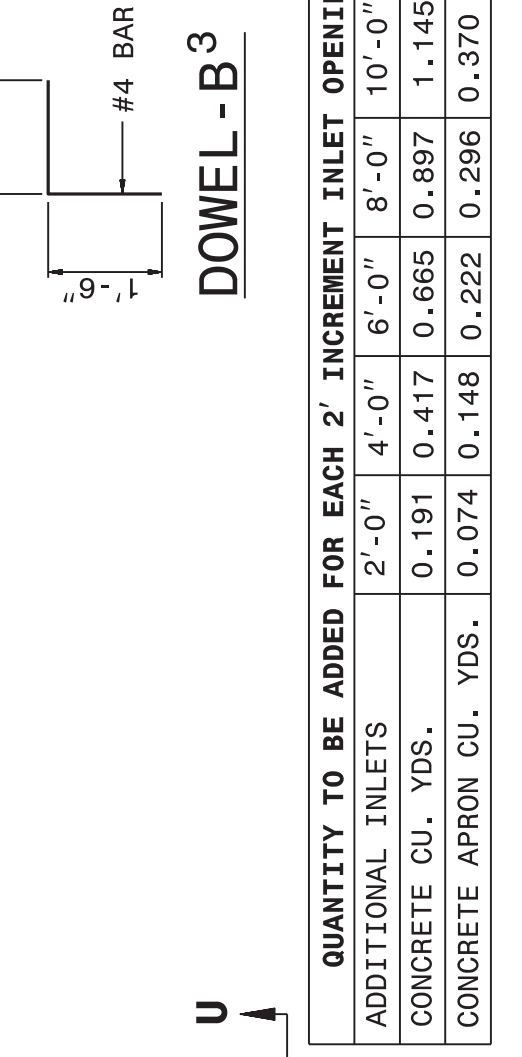
STATE OF
NORTH CAROLINA
DEPT. OF TRANSPORTATION
DIVISION OF HIGHWAYS
RALEIGH, N.C.

ENGLISH DETAIL DRAWING FOR
CONCRETE GRATED DROP INLET TYPE 'A'
MINIMUM DEPTH
12" THRU 72" PIPE

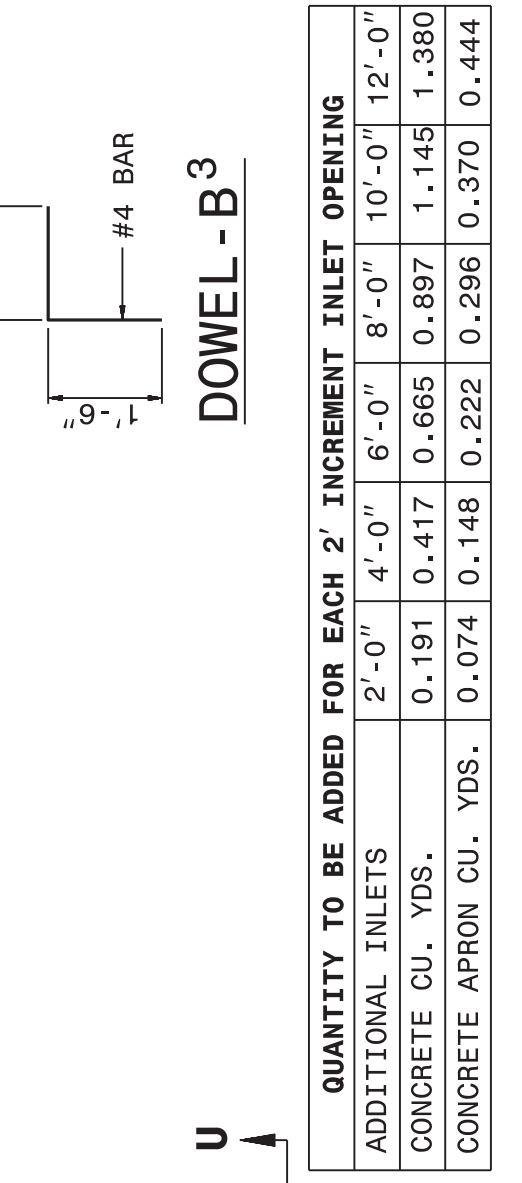
SHEET 2 OF 2
840d17



DOWEL - C



DOWEL - B2
FOR 42" INLET



DOWEL - B3

QUANTITY TO BE ADDED FOR EACH 2' INCREMENT INLET OPENING

ADDITIONAL INLETS	2'-0"	4'-0"	6'-0"	8'-0"	10'-0"	12'-0"
CONCRETE CU. YDS.	0.191	0.417	0.665	0.897	1.145	1.380
CONCRETE APRON CU. YDS.	0.074	0.148	0.222	0.296	0.370	0.444

PIPE	DIMENSIONS OF BOX AND PIPE		REINFORCING STEEL - NO. 4 BARS										MIN. DIMENSIONS AND QUANTITIES FOR CONCRETE GRATED DROP INLET (BASED ON MIN. HEIGHT, H)		DEDUCTIONS FOR ONE PIPE					
	SPAN	WIDTH	NO.	LENGTH	NO.	LENGTH	NO.	LENGTH	NO.	LENGTH	NO.	LENGTH	NO.	LENGTH	NO.	LENGTH	APRON	TOTAL		
12"	3'-8"	2'-0"	2'-0"	2'-3"	—	—	—	—	—	—	—	—	—	—	—	—	0.395	1.745		
15"	3'-8"	2'-0"	2'-0"	2'-5"	—	—	—	—	—	—	—	—	—	—	—	—	0.395	1.745		
18"	3'-8"	2'-0"	2'-0"	2'-8"	—	—	—	—	—	—	—	—	—	—	—	—	0.395	1.745		
24"	3'-8"	2'-0"	2'-0"	3'-3"	8	1'-5"	6	4'-9"	—	—	—	—	—	—	—	—	0.395	1.745		
30"	3'-8"	2'-0"	2'-0"	3'-10"	8	2'-0"	7	4'-9"	—	—	—	—	—	—	—	—	0.395	1.745		
36"	3'-8"	2'-0"	2'-0"	4'-4"	8	2'-5"	8	4'-11"	4	0'-9"	2	4'-11"	47	0.560	1.931	0.321	2.541	0.082	0.127	
42"	3'-8"	2'-0"	2'-0"	5'-0"	10	3'-1"	9	5'-7"	9	1'-5"	3	5'-7"	67	0.704	2.500	0.370	3.677	0.180	0.243	
48"	3'-8"	2'-0"	2'-0"	5'-6"	11	3'-7"	10	6'-1"	11	1'-11"	4	6'-1"	87	0.823	3.013	0.407	4.315	0.235	0.317	
54"	3'-8"	2'-0"	2'-0"	6'-0"	12	4'-1"	11	6'-7"	12	2'-5"	5	6'-7"	107	0.951	3.589	0.444	5.072	0.287	0.401	
60"	3'-8"	2'-0"	2'-0"	6'-6"	13	4'-9"	12	7'-3"	13	3'-1"	6	7'-3"	135	1.311	4.539	0.494	6.170	0.367	0.495	
66"	3'-8"	2'-0"	2'-0"	7'-1"	14	5'-4"	14	7'-10"	14	3'-7"	7	7'-10"	168	1.136	5.061	0.537	6.901	0.444	0.599	
72"	3'-8"	2'-0"	2'-0"	7'-8"	15	5'-11"	15	8'-5"	4	4'-3"	8	8'-5"	199	1.500	5.860	0.580	0.395	7.868	0.528	0.713



8/2/2022

DOCUMENT NOT CONSIDERED FINAL
UNLESS ALL SIGNATURES COMPLETED

**CONTRACT STANDARDS
AND DEVELOPMENT UNIT**
Office 919-707-6950 FAX 919-250-4119

SEE TITLE BLOCK

ORIGINAL BY: J. Howerton DATE: 1/22/14
MODIFIED BY: DATE:
CHECKED BY: DATE:
FILE SPEC.: jhowerton\minimum depth type A.dgn