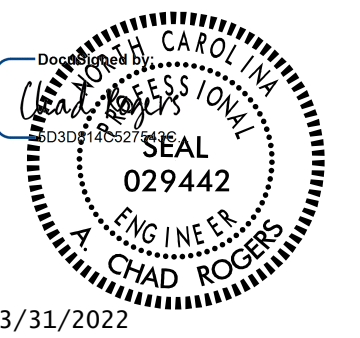
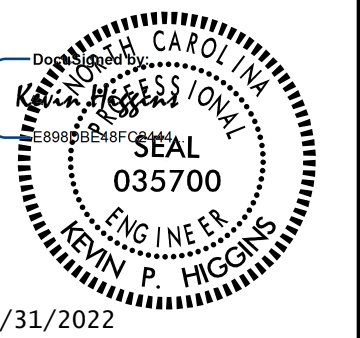



**This electronic collection of documents is provided
for the convenience of the user
and is Not a Certified Document –**

**The documents contained herein were originally issued
and sealed by the individuals whose names and license
numbers appear on each page, on the dates appearing
with their signature on that page.**

**This file or an individual page
shall not be considered a certified document.**

B.17/99

PROJECT REFERENCE NO. <i>B-5765</i>	SHEET NO. <i>X-1A</i>
	
DOCUMENT NOT CONSIDERED FINAL UNLESS ALL SIGNATURES COMPLETED	
 PARRISH & PARTNERS 11325 N COMMUNITY HOUSE RD SUITE 260 CHARLOTTE, NC 28277	

CROSS SECTION INDEX OF SHEETS		
ALIGNMENT	SHEET NO.	SHEET SUBTOTALS
-L-	X1 - X6	6
-Y2-	X7 - X8	2
-Y3-	X9 - X10	2
-DW1-	X11	1
-DW2-	X12	1
-DW3-	X13	1
-DW4-	X14	1
-DW5-	X15 - X16	2
TOTAL CROSS SECTION SHEETS		16

3/25/2022 10:46:13 AM XS_Index_SHEET.dgn

STATE OF NORTH CAROLINA DIVISION OF HIGHWAYS

PROJ. REFERENCE NO. B-5765	SHEET NO. X-1B
-------------------------------	-------------------

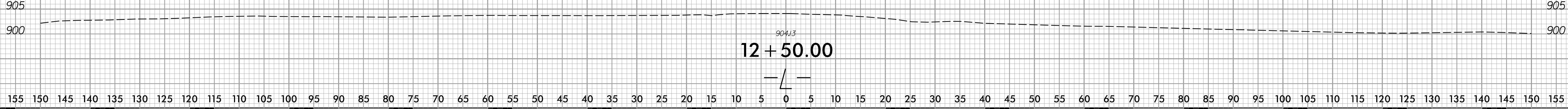
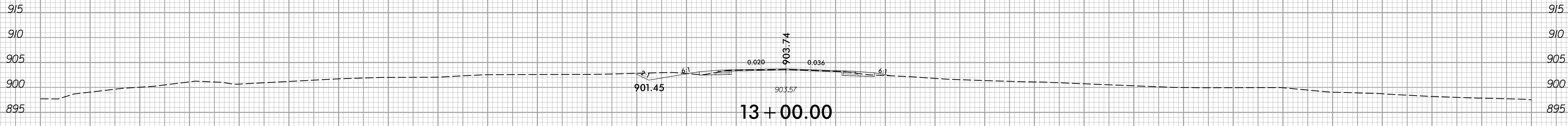
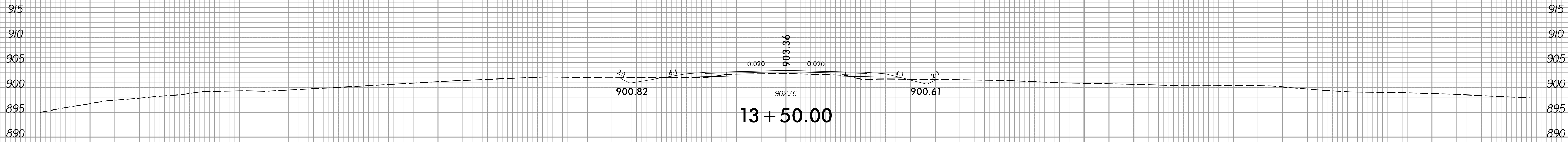
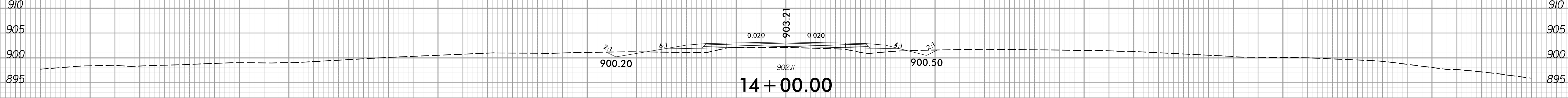
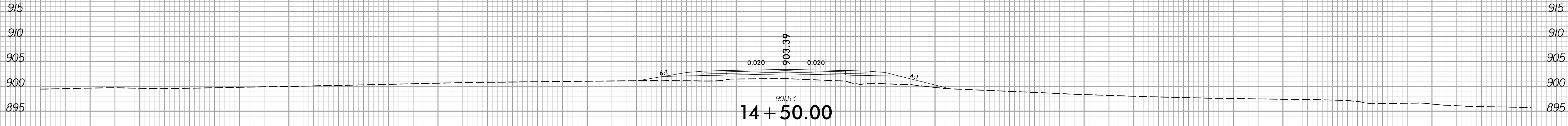
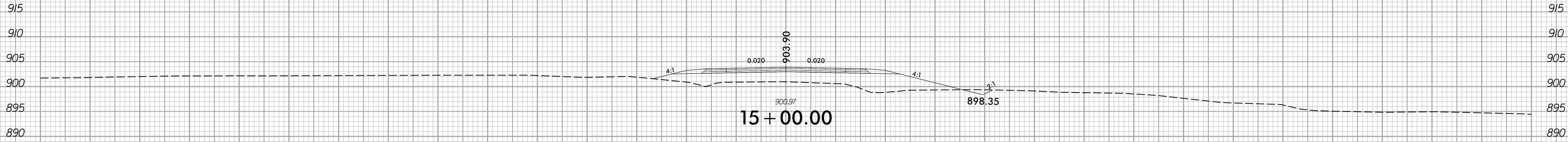
Approximate quantities only. Unclassified excavation, borrow excavation, fine grading, clearing and grubbing, breaking of existing pavement and removal of existing pavement will be paid for at the lump sum price for "Grading".

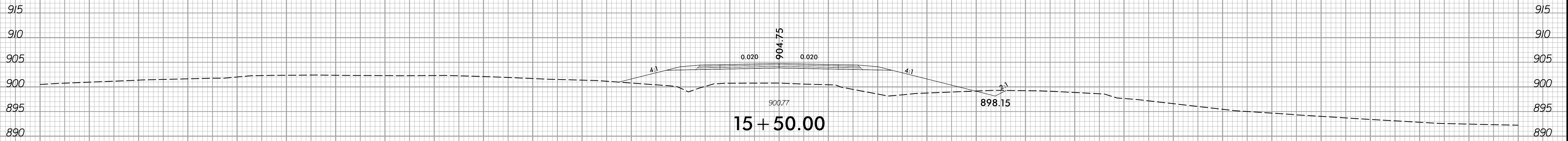
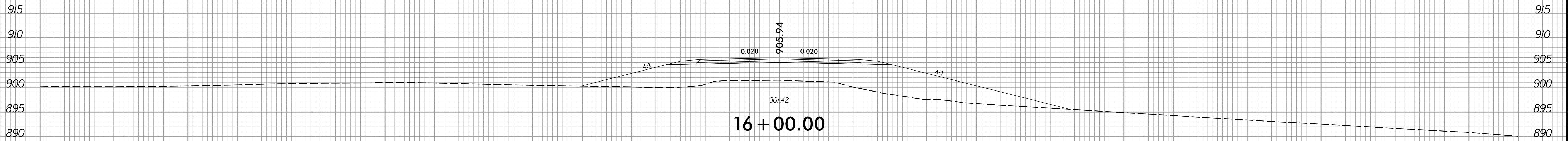
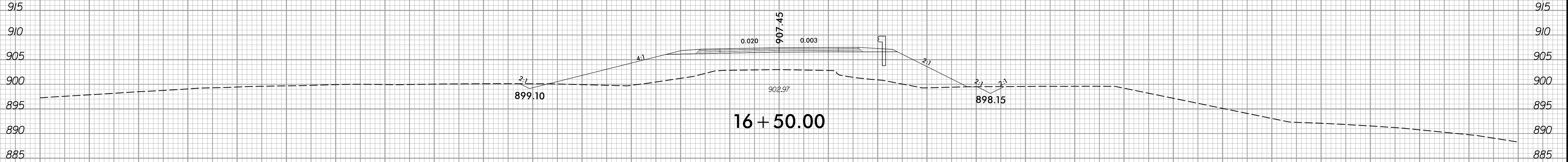
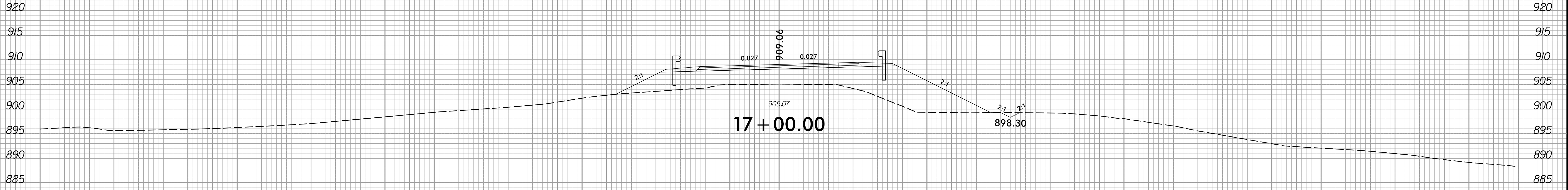
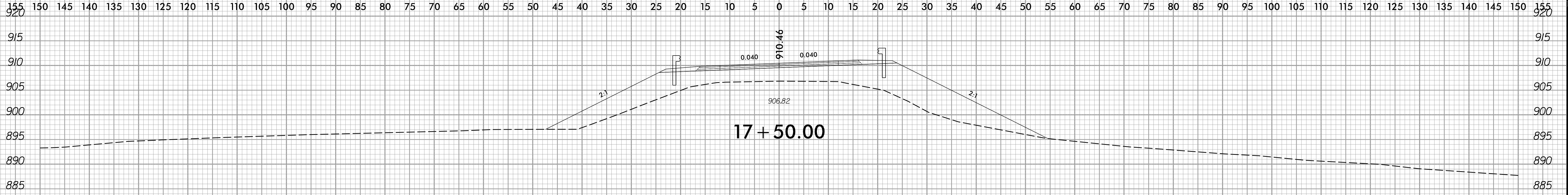
NOTE: EMBANKMENT COLUMN DOES NOT INCLUDE BACKFILL FOR UNDERCUT

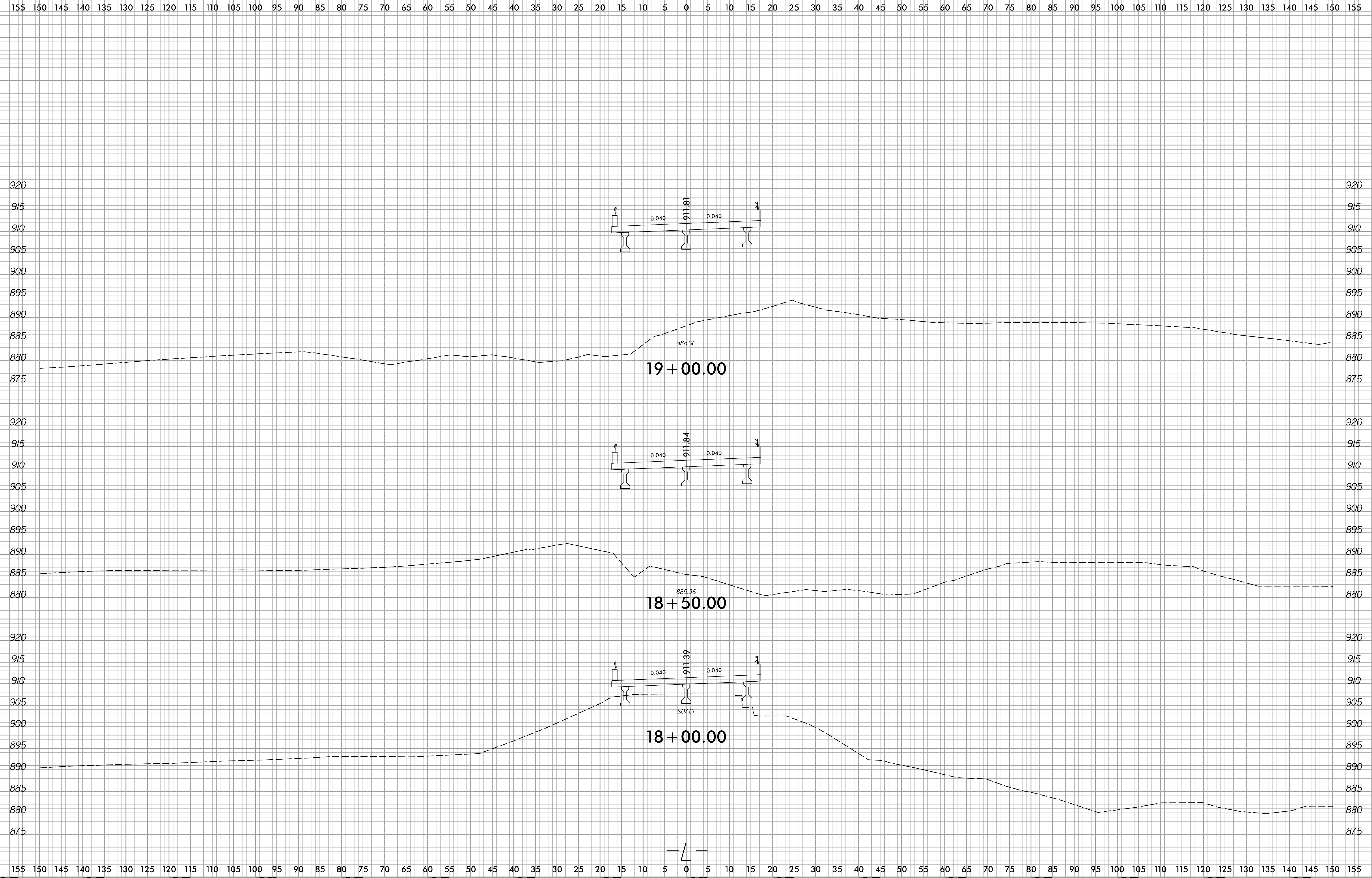
CROSS-SECTION SUMMARY

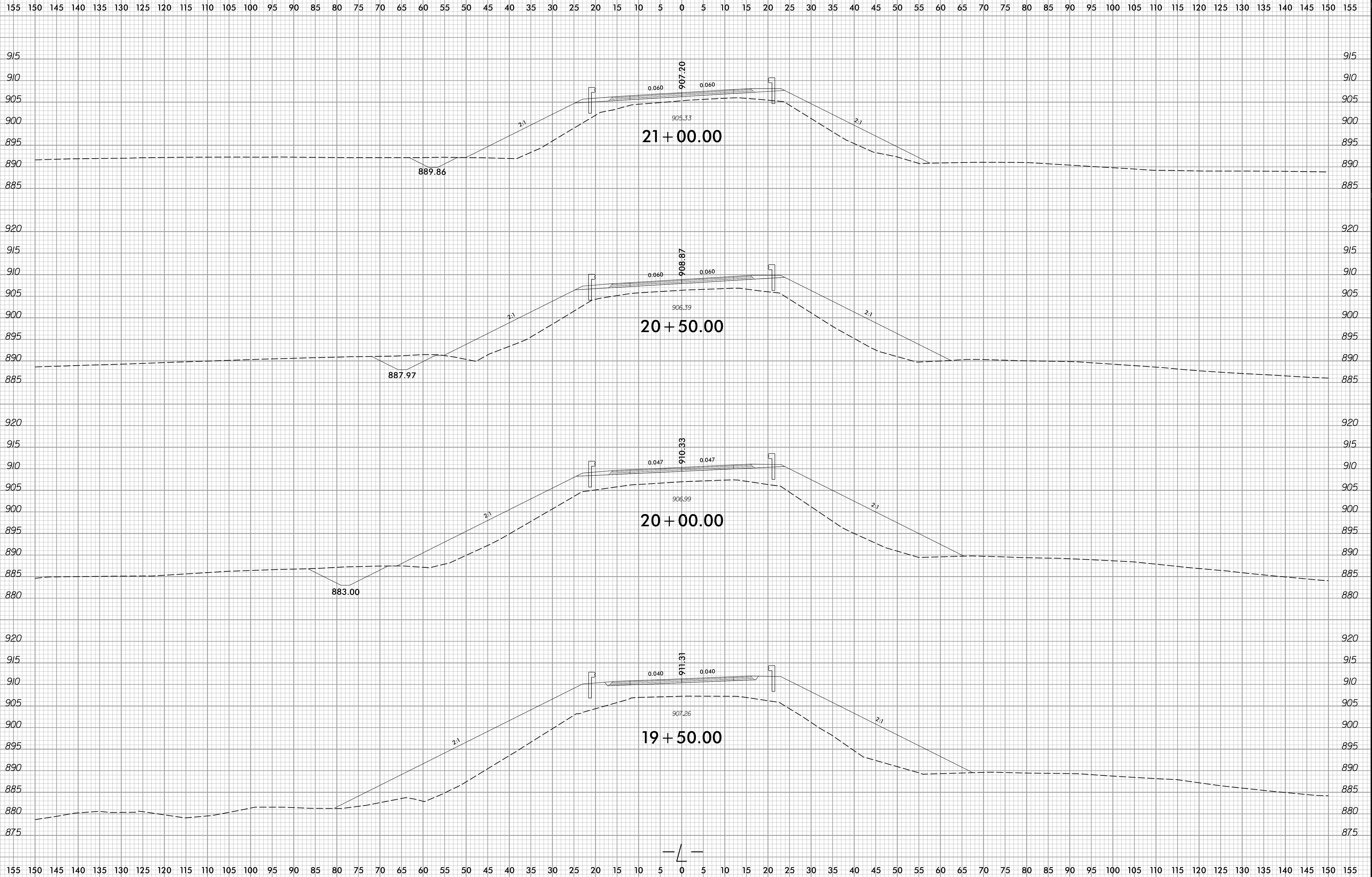
Station	Uncl. Exc. (cu. yd.)	Embt (cu. yd.)		Station	Uncl. Exc. (cu. yd.)	Embt (cu. yd.)
L				DW1		
13+00.00	0	0		10+00.00	0	0
13+50.00	22	6		10+50.00	11	47
14+00.00	15	25				
14+50.00	6	79		Station	Uncl. Exc.	Embt
15+00.00	3	179		DW2	(cu. yd.)	(cu. yd.)
15+50.00	6	322		10+00.00	0	0
16+00.00	4	525		10+50.00	6	31
16+50.00	6	624				
17+00.00	8	567		Station	Uncl. Exc.	Embt
17+50.00	2	619		DW3	(cu. yd.)	(cu. yd.)
				10+15.00	0	0
Station	Uncl. Exc.	Embt		10+50.00	5	19
L	(cu. yd.)	(cu. yd.)		11+00.00	0	97
19+50.00	0	0		11+50.00	0	216
20+00.00	41	1319				
20+50.00	67	932		Station	Uncl. Exc.	Embt
21+00.00	40	685		DW4	(cu. yd.)	(cu. yd.)
21+50.00	32	593		10+55.00	0	0
22+00.00	27	452		10+50.00	3	9
22+50.00	15	326		11+00.00	0	79
23+00.00	14	292				
23+50.00	14	186		Station	Uncl. Exc.	Embt
24+00.00	20	106		DW5	(cu. yd.)	(cu. yd.)
24+50.00	22	38		10+80.00	0	0
25+00.00	37	8		11+00.00	3	1
25+50.00	34	1		11+50.00	2	72
				12+00.00	0	214
Station	Uncl. Exc.	Embt		12+50.00	0	203
Y2	(cu. yd.)	(cu. yd.)				
12+00.00	0	0				
12+50.00	6	23				
13+00.00	8	31				
13+50.00	6	100				
14+00.00	12	95				
Station	Uncl. Exc.	Embt				
Y3	(cu. yd.)	(cu. yd.)				
11+50.00	0	0				
12+00.00	9	5				
12+50.00	11	6				
13+00.00	6	4				

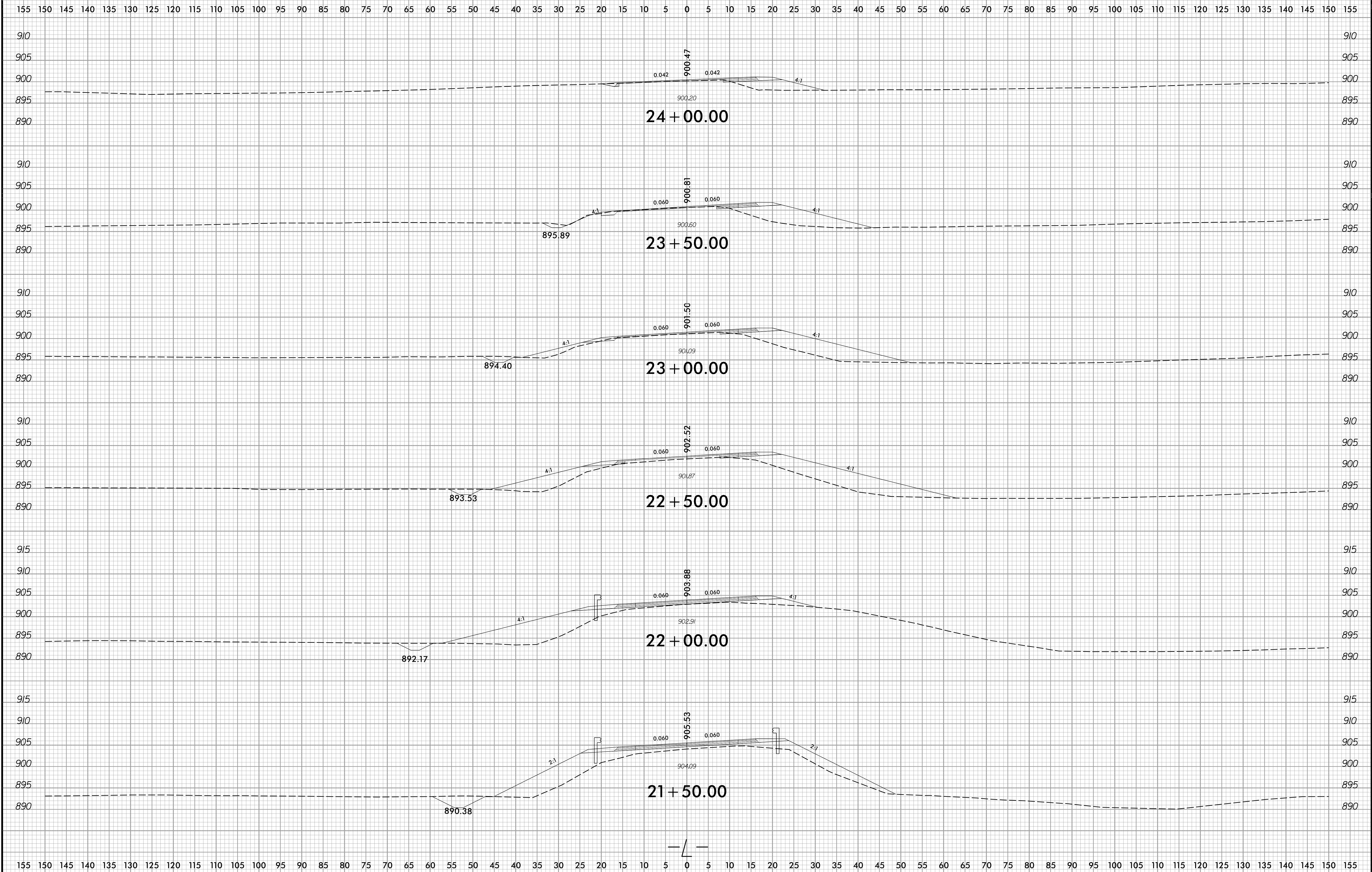
155 150 145 140 135 130 125 120 115 110 105 100 95 90 85 80 75 70 65 60 55 50 45 40 35 30 25 20 15 10 5 0 5 10 15 20 25 30 35 40 45 50 55 60 65 70 75 80 85 90 95 100 105 110 115 120 125 130 135 140 145 150 155



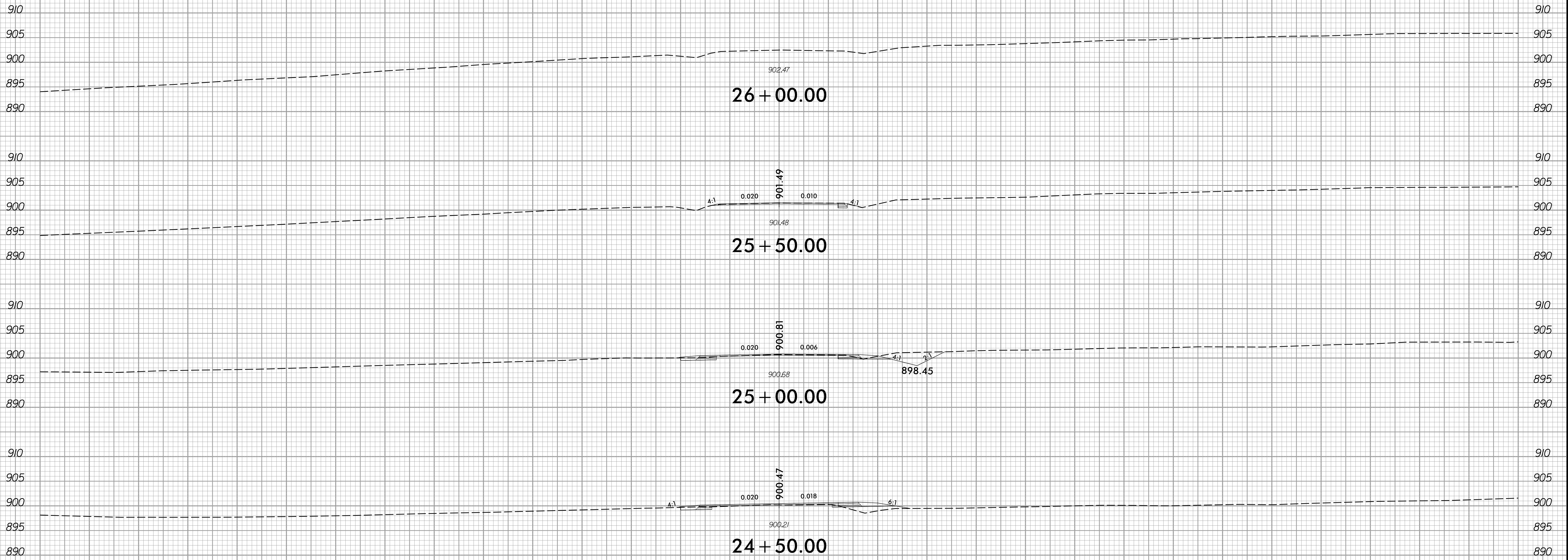






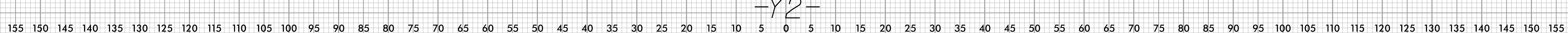
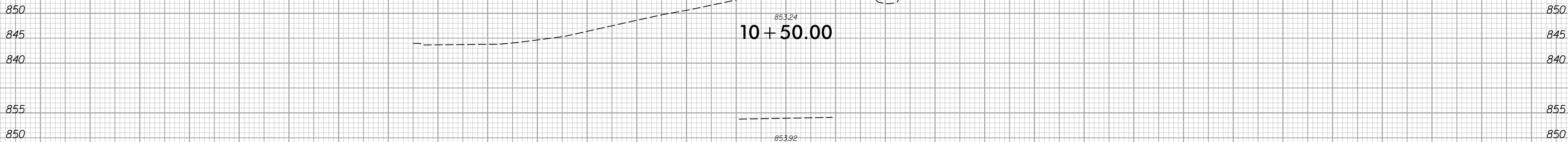
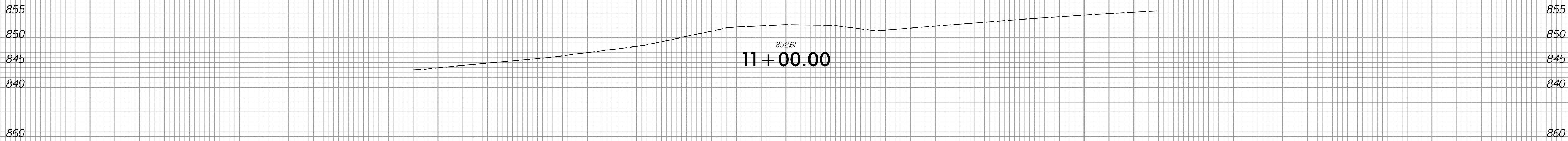
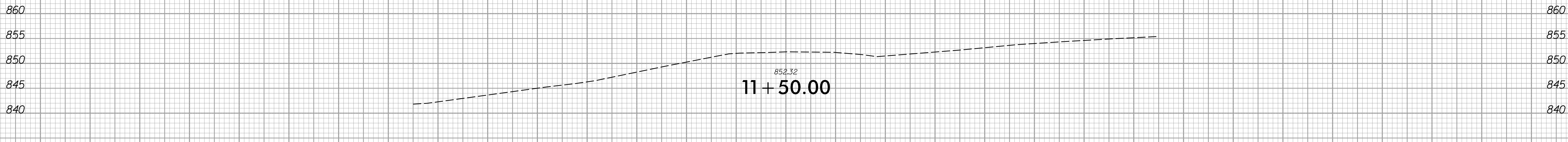
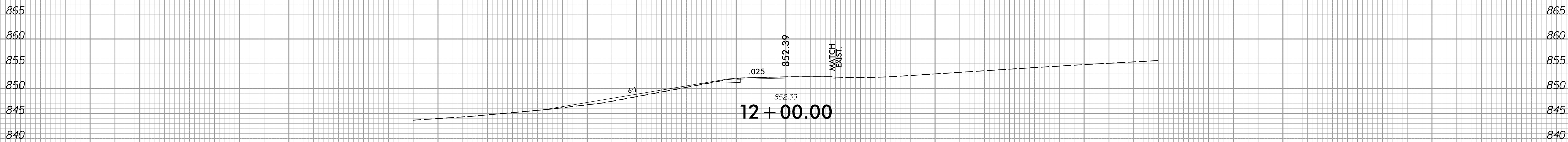
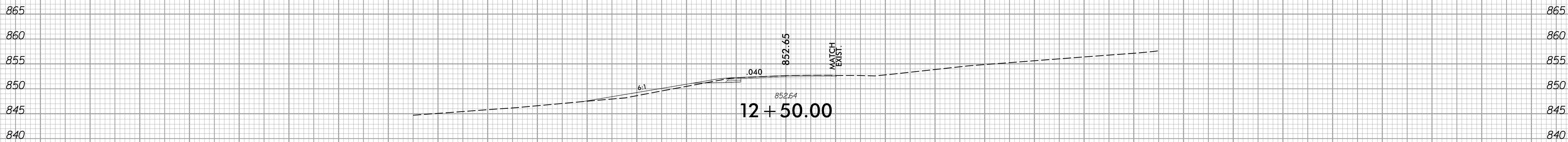


155 150 145 140 135 130 125 120 115 110 105 100 95 90 85 80 75 70 65 60 55 50 45 40 35 30 25 20 15 10 5 0 5 10 15 20 25 30 35 40 45 50 55 60 65 70 75 80 85 90 95 100 105 110 115 120 125 130 135 140 145 150 155



155 150 145 140 135 130 125 120 115 110 105 100 95 90 85 80 75 70 65 60 55 50 45 40 35 30 25 20 15 10 5 0 5 10 15 20 25 30 35 40 45 50 55 60 65 70 75 80 85 90 95 100 105 110 115 120 125 130 135 140 145 150 155

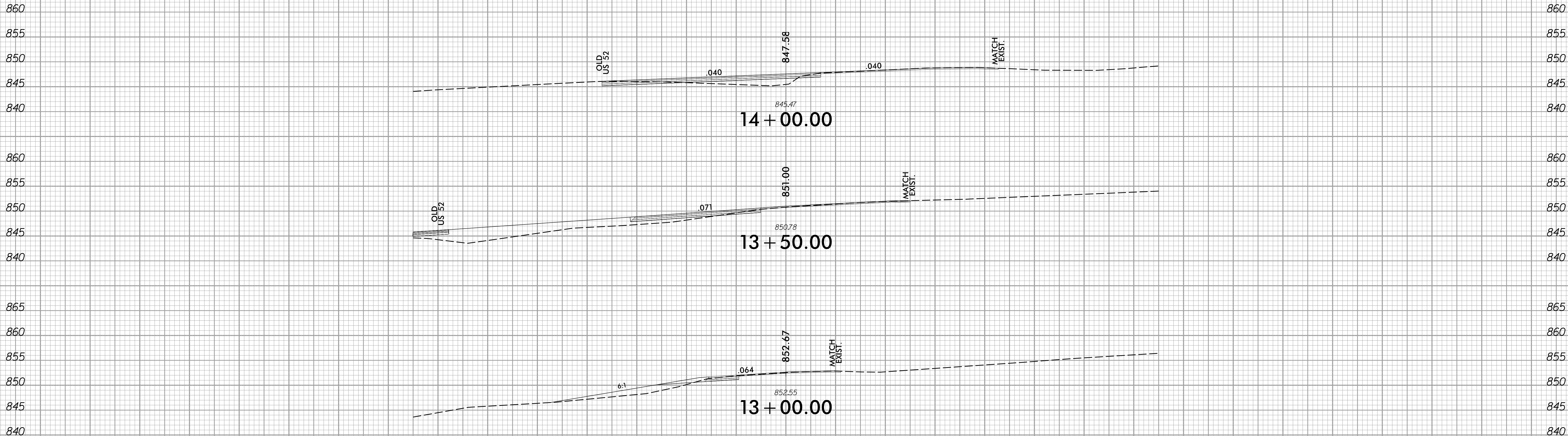
155 150 145 140 135 130 125 120 115 110 105 100 95 90 85 80 75 70 65 60 55 50 45 40 35 30 25 20 15 10 5 0 5 10 15 20 25 30 35 40 45 50 55 60 65 70 75 80 85 90 95 100 105 110 115 120 125 130 135 140 145 150 155



155 150 145 140 135 130 125 120 115 110 105 100 95 90 85 80 75 70 65 60 55 50 45 40 35 30 25 20 15 10 5 0 5 10 15 20 25 30 35 40 45 50 55 60 65 70 75 80 85 90 95 100 105 110 115 120 125 130 135 140 145 150 155

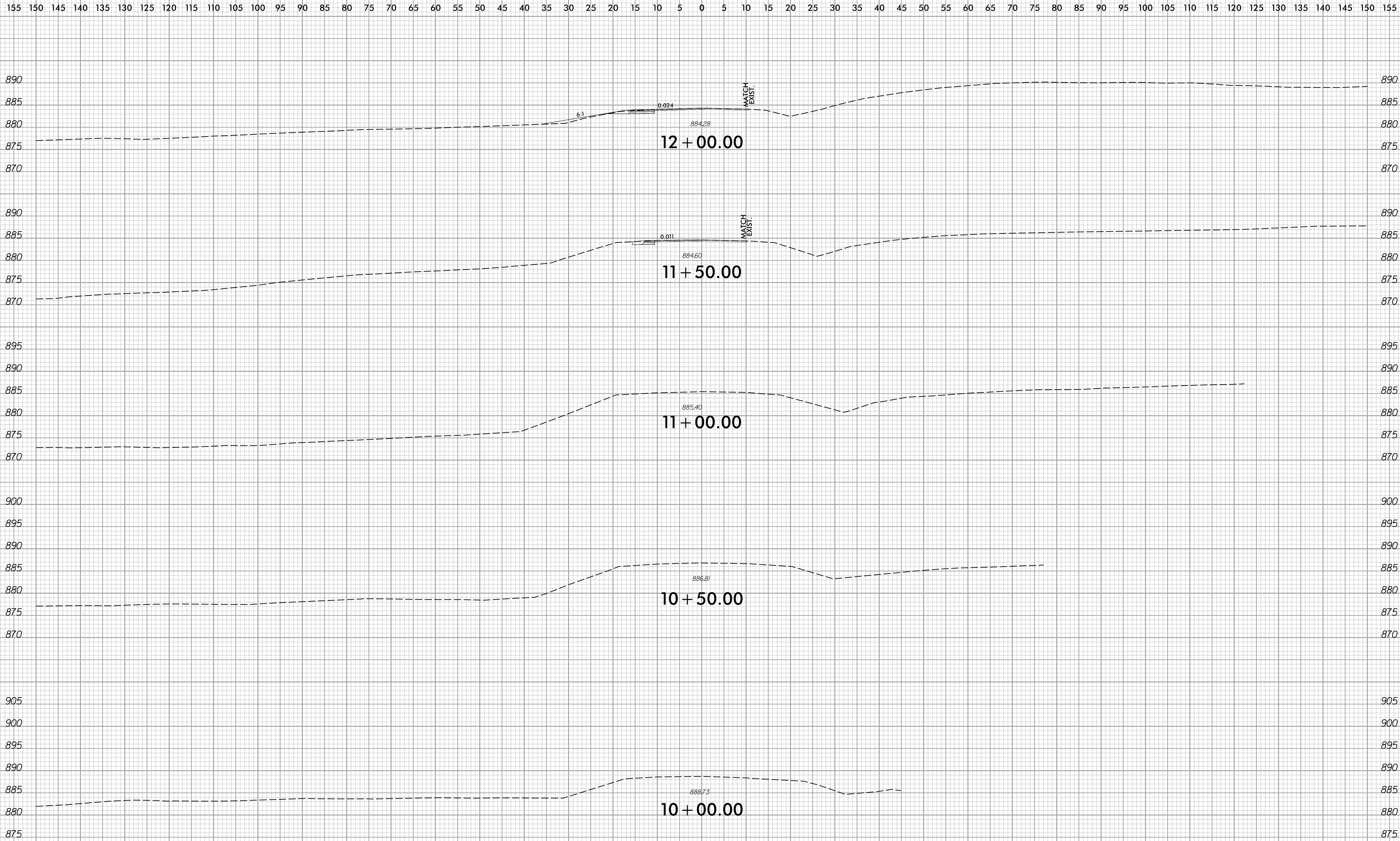
-Y2-

155 150 145 140 135 130 125 120 115 110 105 100 95 90 85 80 75 70 65 60 55 50 45 40 35 30 25 20 15 10 5 0 5 10 15 20 25 30 35 40 45 50 55 60 65 70 75 80 85 90 95 100 105 110 115 120 125 130 135 140 145 150 155



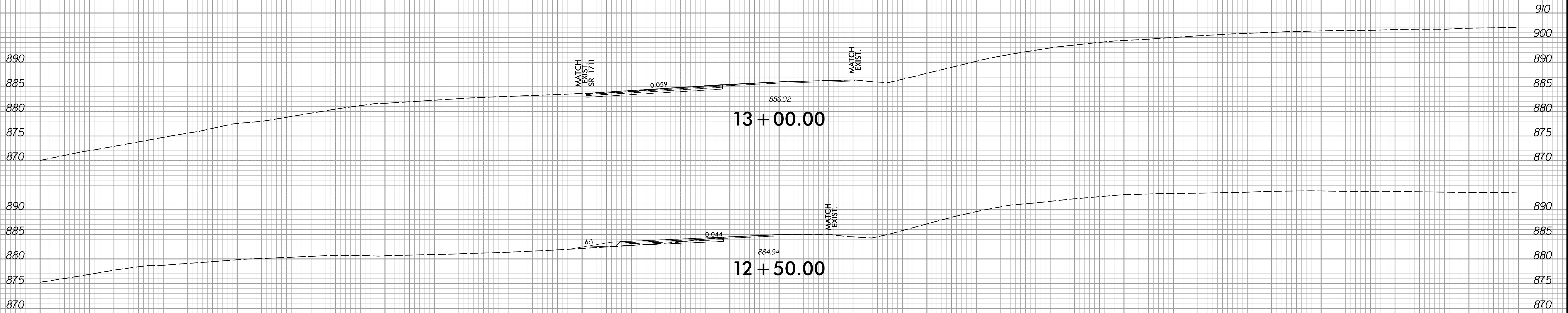
155 150 145 140 135 130 125 120 115 110 105 100 95 90 85 80 75 70 65 60 55 50 45 40 35 30 25 20 15 10 5 0 5 10 15 20 25 30 35 40 45 50 55 60 65 70 75 80 85 90 95 100 105 110 115 120 125 130 135 140 145 150 155

-Y2-



-Y3-

155 150 145 140 135 130 125 120 115 110 105 100 95 90 85 80 75 70 65 60 55 50 45 40 35 30 25 20 15 10 5 0 5 10 15 20 25 30 35 40 45 50 55 60 65 70 75 80 85 90 95 100 105 110 115 120 125 130 135 140 145 150 155



155 150 145 140 135 130 125 120 115 110 105 100 95 90 85 80 75 70 65 60 55 50 45 40 35 30 25 20 15 10 5 0 5 10 15 20 25 30 35 40 45 50 55 60 65 70 75 80 85 90 95 100 105 110 115 120 125 130 135 140 145 150 155

-Y3-

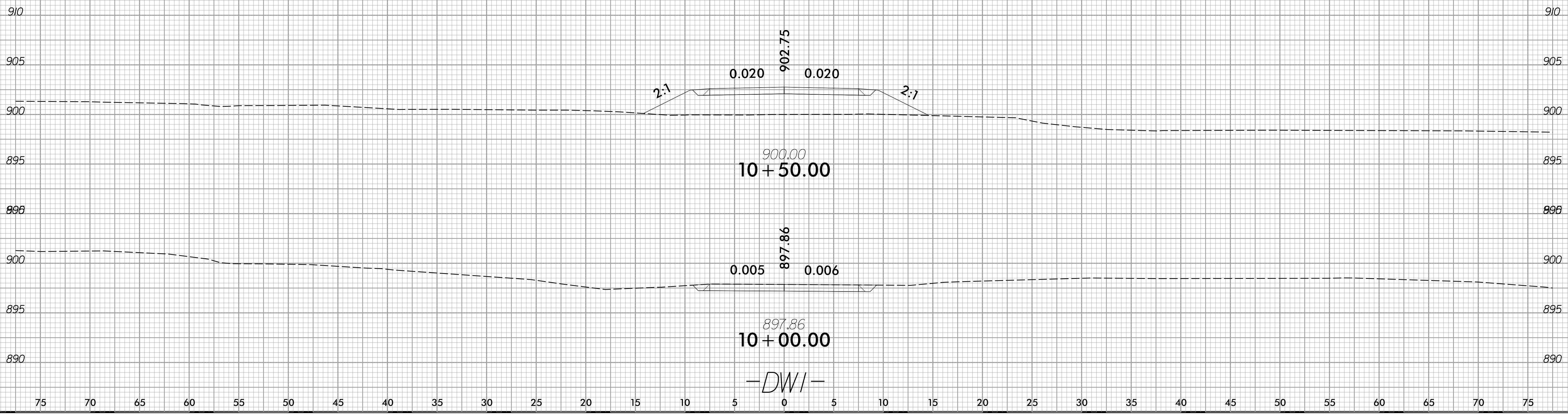
6/23/16



PROJ. REFERENCE NO.
B-5765

SHEET NO.
X-11

75 70 65 60 55 50 45 40 35 30 25 20 15 10 5 0 5 10 15 20 25 30 35 40 45 50 55 60 65 70 75



3/25/2022 10:57:15 AM
B:\XCS\165_FDY_DWI_XPL.dgn

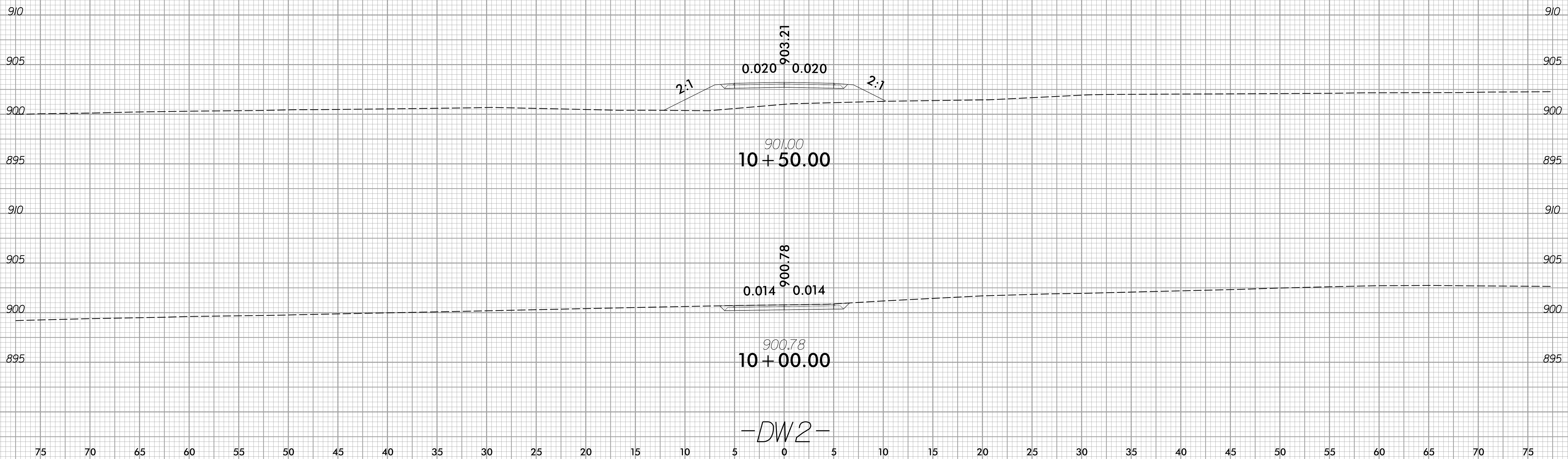
6/23/16



PROJ. REFERENCE NO.
B-5765

SHEET NO.
X-12

75 70 65 60 55 50 45 40 35 30 25 20 15 10 5 0 5 10 15 20 25 30 35 40 45 50 55 60 65 70 75



75 70 65 60 55 50 45 40 35 30 25 20 15 10 5 0 5 10 15 20 25 30 35 40 45 50 55 60 65 70 75

3/25/2022 10:52:12 AM
B:\5765\FD\DW2.XPL.dgn

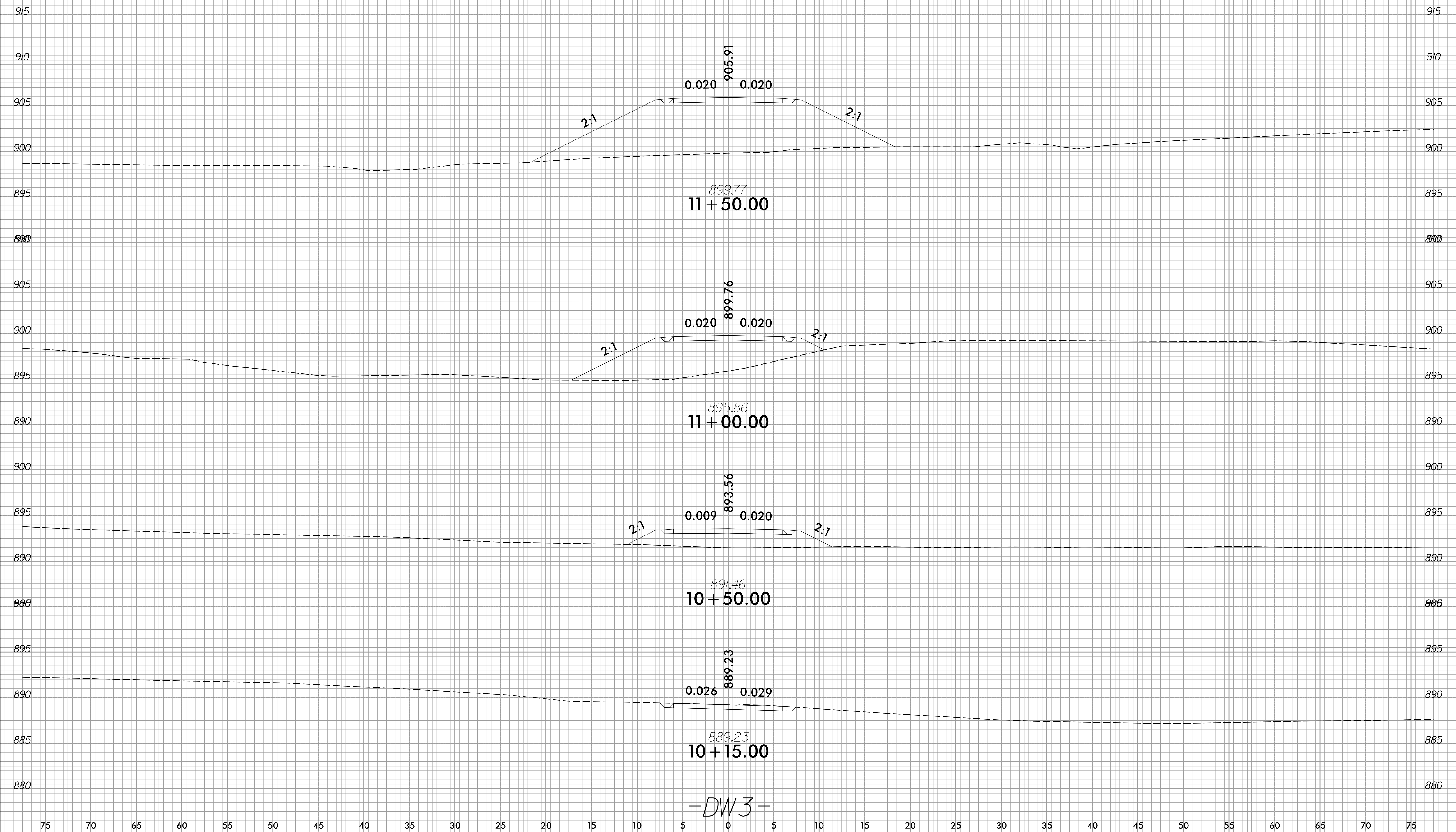
6/23/16



PROJ. REFERENCE NO.	SHEET NO.
B-5765	X-13

PROJ. REFERENCE NO.	SHEET NO.
B-5765	X-13

75 70 65 60 55 50 45 40 35 30 25 20 15 10 5 0 5 10 15 20 25 30 35 40 45 50 55 60 65 70 75



-DW3-

3/25/2022 10:53:19 AM
 B:\65765\FD\DW3-XPL.dgn

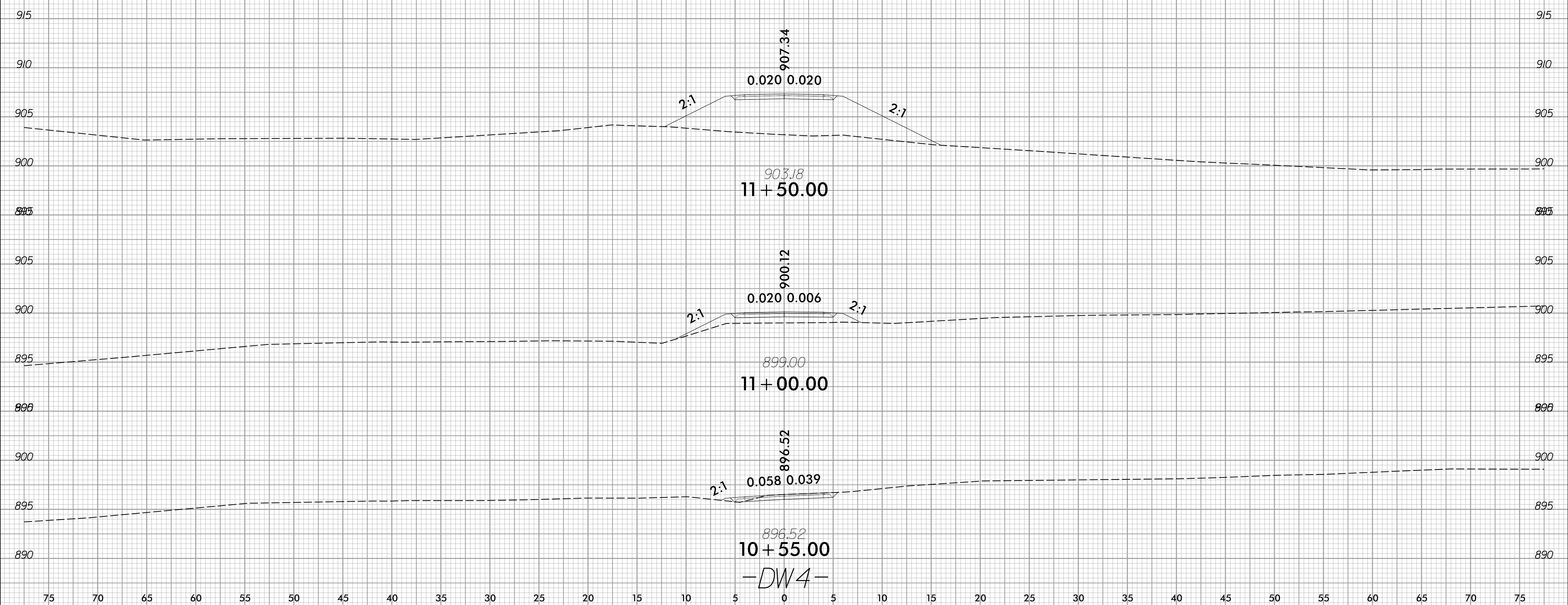
6/23/16



PROJ. REFERENCE NO.
B-5765

SHEET NO.
X-14

75 70 65 60 55 50 45 40 35 30 25 20 15 10 5 0 5 10 15 20 25 30 35 40 45 50 55 60 65 70 75

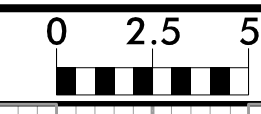


3/25/2022
 B:\65765\FDY_DW4_XPL.dgn
 11:01:14 AM

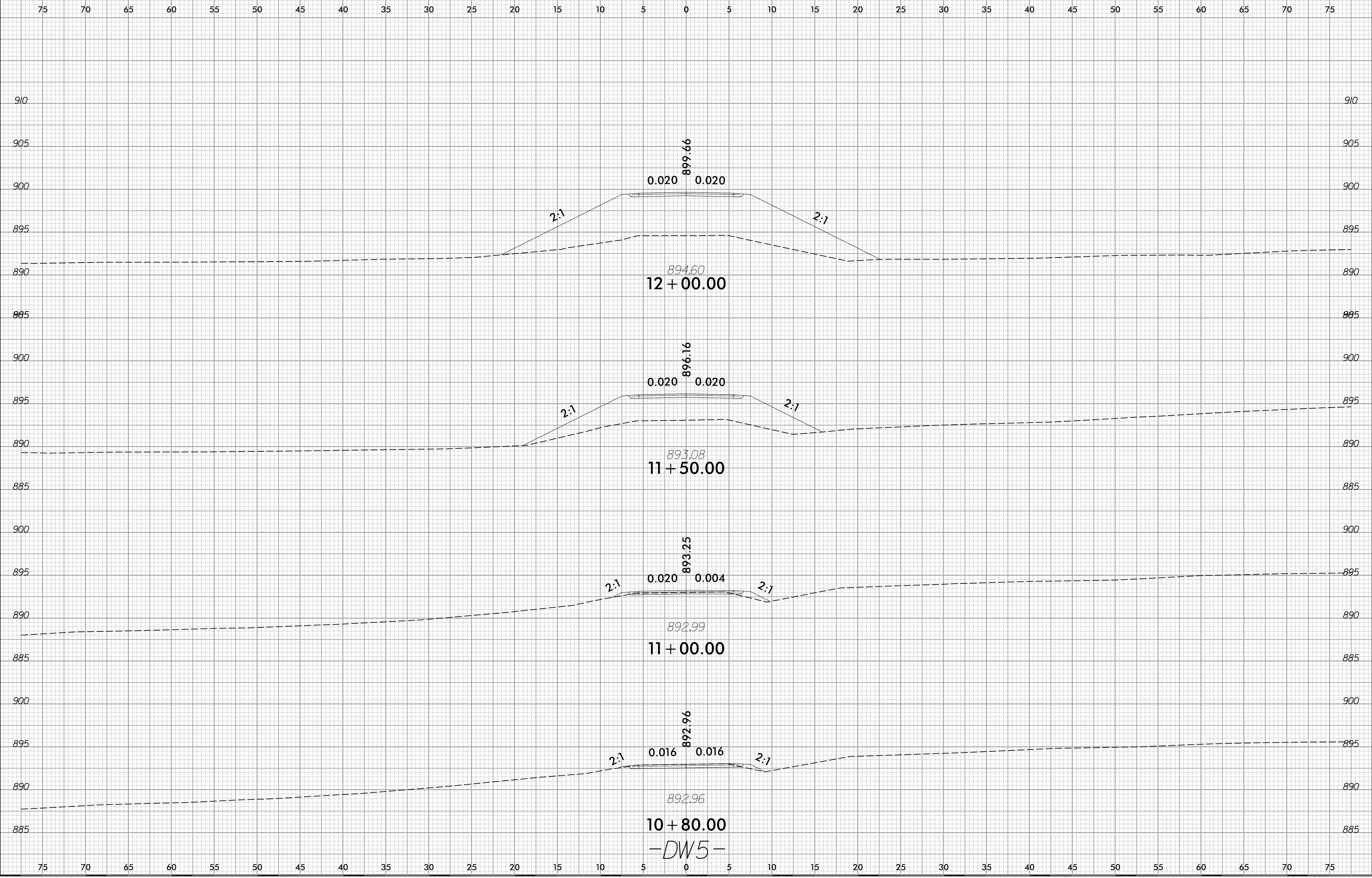
75 70 65 60 55 50 45 40 35 30 25 20 15 10 5 0 5 10 15 20 25 30 35 40 45 50 55 60 65 70 75

-DW4-

6/23/16



PROJ. REFERENCE NO.	SHEET NO.
B-5765	X-15



3/25/2022 10:57:16 AM DW5.XPL.dgn

-DW5-

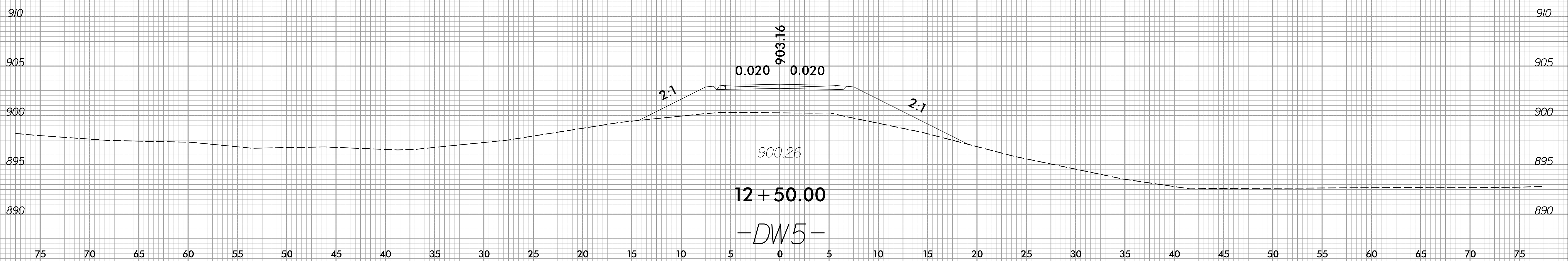
6/23/16



PROJ. REFERENCE NO.
B-5765

SHEET NO.
X-16

75 70 65 60 55 50 45 40 35 30 25 20 15 10 5 0 5 10 15 20 25 30 35 40 45 50 55 60 65 70 75



3/25/2022 3:28:51 PM
 B:\2022\16\B-5765\FDY_DW5_XPL.dgn