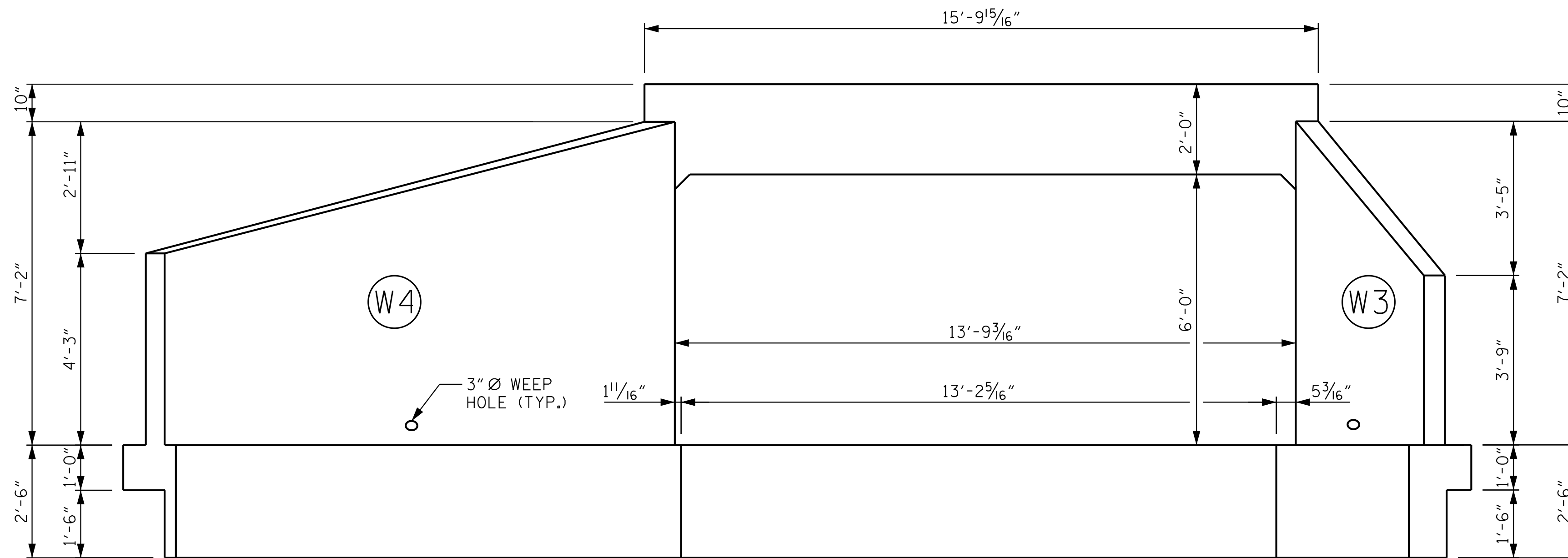


END ELEVATION NORMAL TO SKEW - INLET



END ELEVATION NORMAL TO SKEW - OUTLET

PROJECT NO. U-5724
WAYNE COUNTY
 STATION: 44+87.00 -Y2-

SHEET 4 OF 8

STATE OF NORTH CAROLINA
 DEPARTMENT OF TRANSPORTATION
 RALEIGH

SINGLE 10 FT. X 6 FT.
 CONCRETE BOX CULVERT
 136° SKEW



DocuSigned by:
 Jeffrey C. Wilson
 11/26/2019

Kimley»Horn

421 Fayetteville Street, Suite 600
 Raleigh, NC 27601-1772
 Phone (919) 677-2000 NC LICENSE # F-0102

**DOCUMENT NOT CONSIDERED FINAL
 UNLESS ALL SIGNATURES COMPLETED**

REVISIONS						SHEET NO.
NO.	BY:	DATE:	NO.	BY:	DATE:	C-4
1			3			TOTAL SHEETS
2			4			8

K:\BIDI-Structures\Calver\NC\01036333 U-5724 Goldboro\Coa\Ogn\U5724.SMU_C004.dgn 11/25/2019

DRAWN BY: J. I. KIMBLE DATE: 11/19
 CHECKED BY: C.T. POOLE DATE: 11/19
 DESIGN ENGINEER OF RECORD: J. C. WILSON DATE: 11/19

This document, together with the concepts and designs presented herein, is an integral part of the project. It is to be used only for the specific project and site and without authorization and approval by Kimley-Horn and Associates, Inc. shall be without liability to Kimley-Horn and Associates, Inc.
 Copyright Kimley-Horn and Associates, Inc., 2019