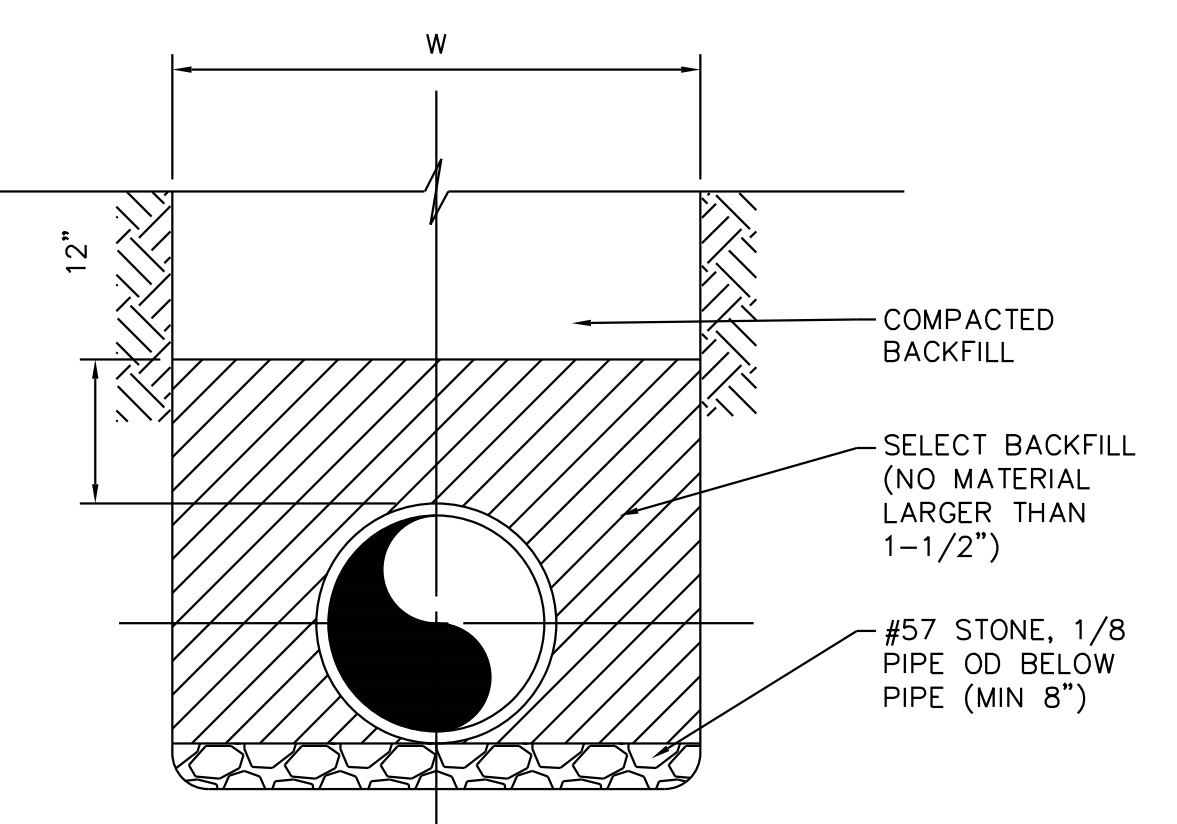
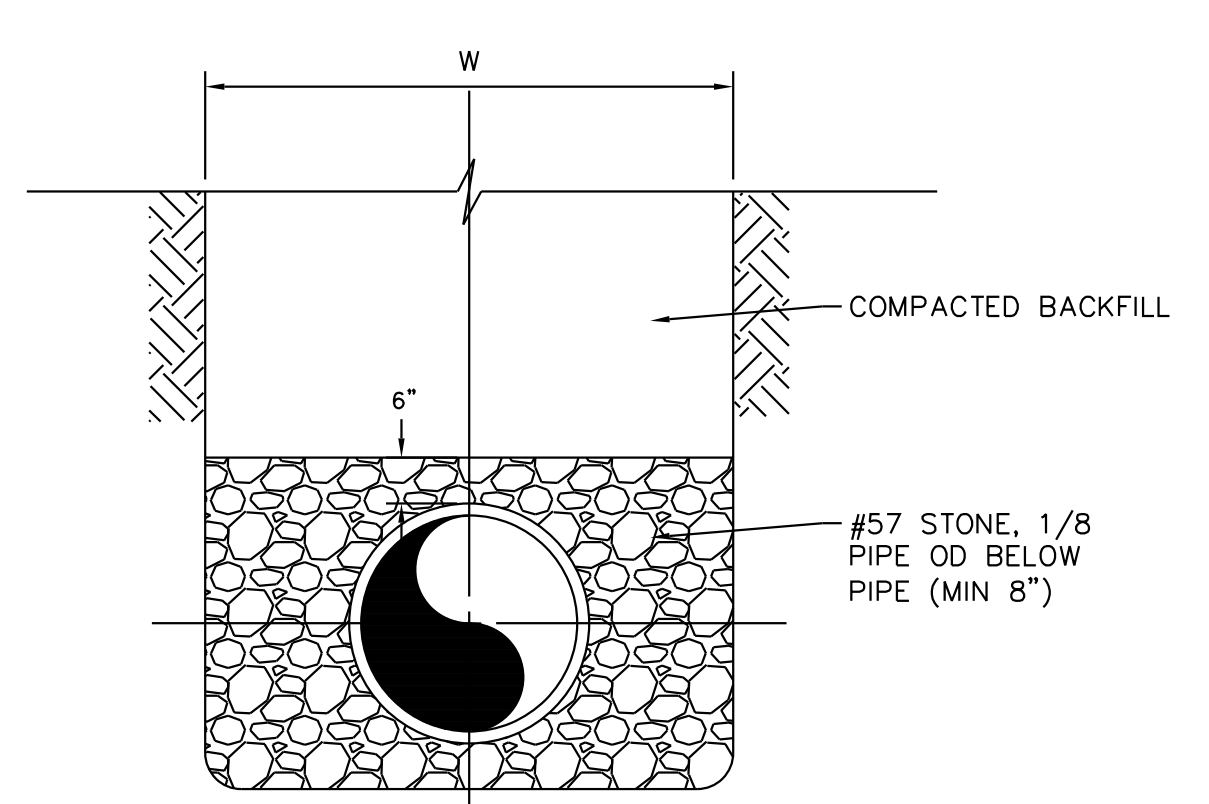


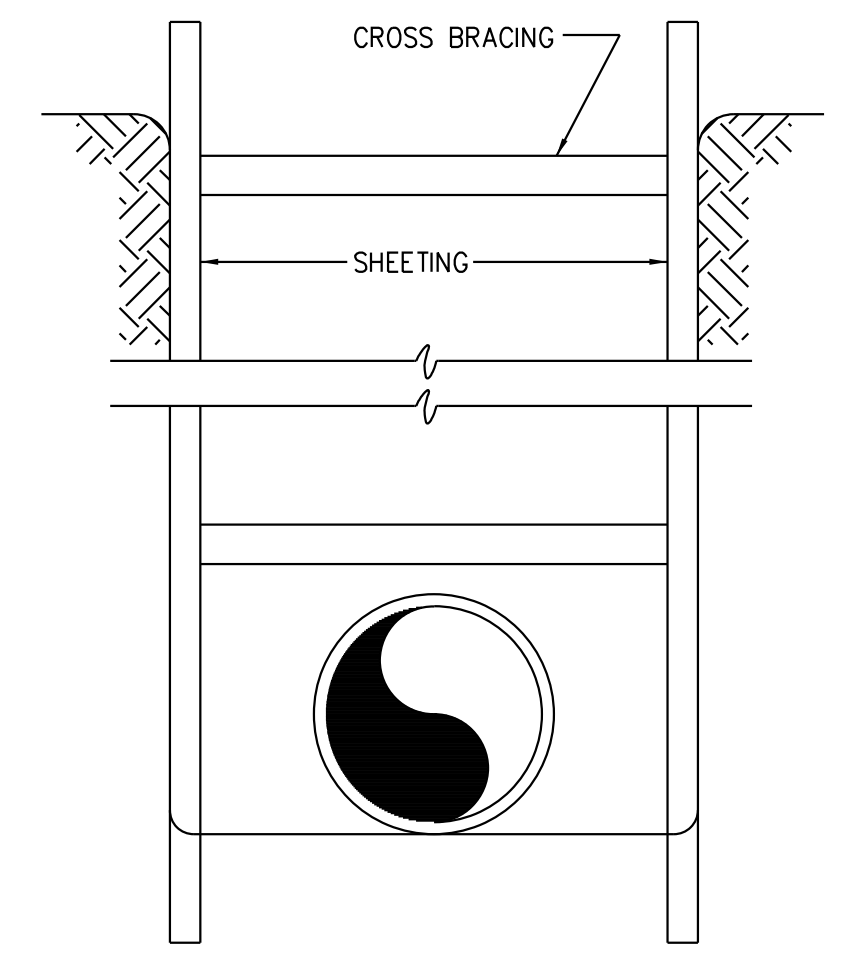
1 BEDDING TYPE A - IN EARTH
 UC-3D SCALE: N.T.S.



2 BEDDING TYPE B
 UC-3D SCALE: N.T.S.



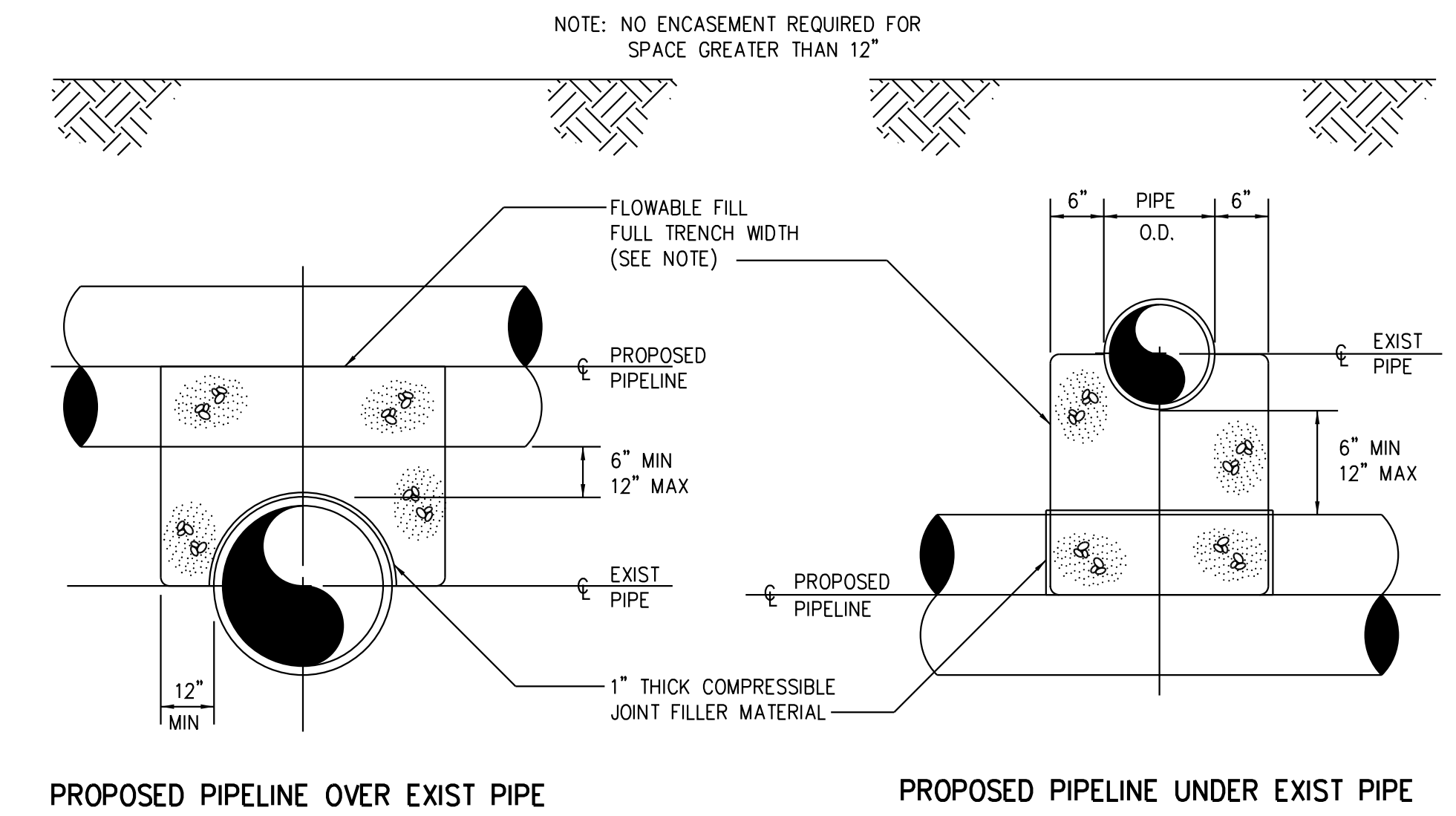
3 BEDDING TYPE E
 UC-3D SCALE: N.T.S.



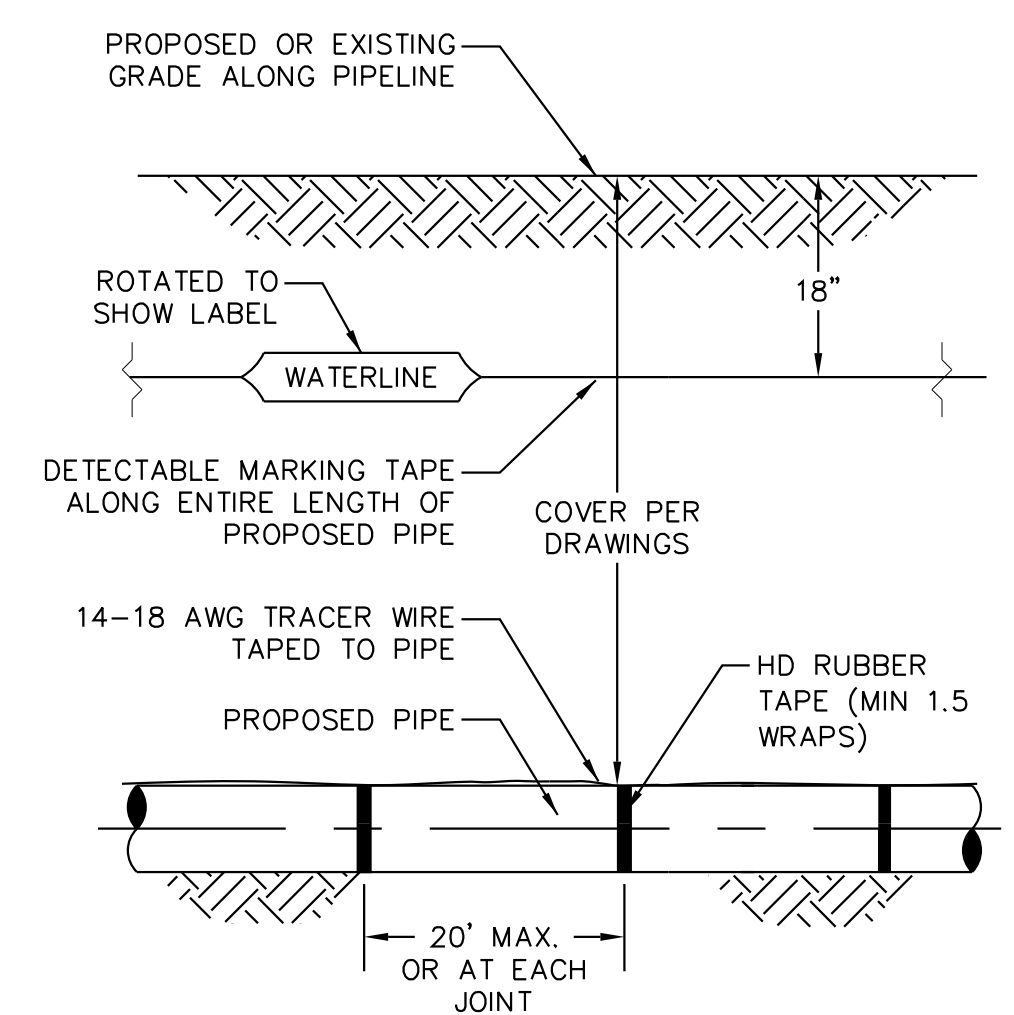
4 TYPICAL SHEETING
 UC-3D SCALE: N.T.S.

TRENCH EXCAVATION LIMITS		
INTERNAL DIAMETER OF PIPE	WIDTH OF TRENCH	
	MAX	W=MIN
4"-6"	3'-9"	2'-0"
8"-10"	3'-9"	2'-2"
12"	3'-9"	O.D.+2'
14"-16"	4'-2"	O.D.+2'
18"	4'-4"	O.D.+2'
20"-21"	4'-8"	O.D.+2'
24"	4'-11"	O.D.+2'
27"	5'-9"	O.D.+2'
30"	6'-7"	O.D.+2'
36"	7'-4"	O.D.+2'
42"	8'-2"	O.D.+2'
48"	8'-9"	O.D.+2'
54"	9'-4"	O.D.+2'
60"	9'-10"	O.D.+2'
72"	11'-0"	O.D.+2'
78"	11'-8"	O.D.+2'
84"	12'-0"	O.D.+2'
90"	12'-6"	O.D.+2'
96"	13'-0"	O.D.+2'
108"	14'-0"	O.D.+2'
DEPTH OF CUT	S MAXIMUM PAVEMENT REPLACEMENT WIDTH	
0-6'	S=W+4'	
>6-8'	S=W+8'	
>8-10'	S=W+12'	
>10-12'	S=W+16'	
>12-14'	S=W+20'	
>14-16'	S=W+24'	
>16-18'	S=W+28'	
>18'	S=W+32'	

W = TRENCH WIDTH AT BOTTOM OF PIPE. TRENCH SIDE SLOPES SHALL BE IN ACCORDANCE WITH OSHA REQUIREMENTS.

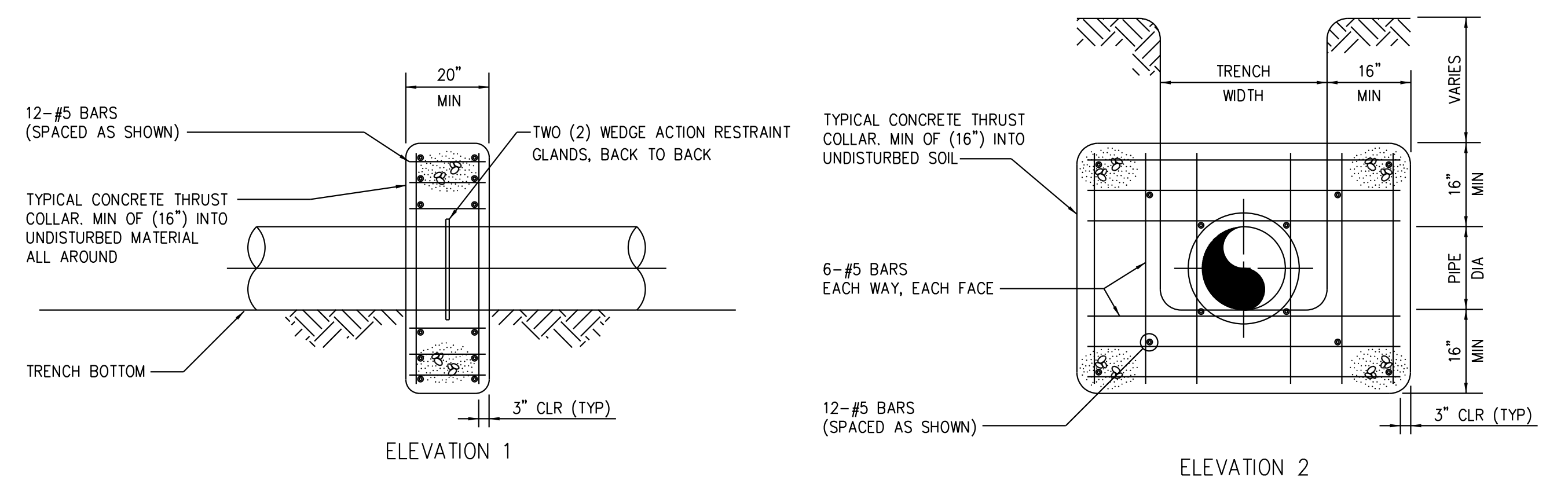


6 PROPOSED PIPELINE OVER/UNDER EXIST PIPE
 UC-3D SCALE: N.T.S.



7 DETECTABLE MARKING TAPE AND WIRE
 UC-3D SCALE: N.T.S.

5 TRENCH EXCAVATION LIMITS
 UC-3D SCALE: N.T.S.



NOTE:
 1. DO NOT TIGHTEN WEDGE RESTRAINT ON ASBESTOS CEMENT PIPE OR CAST IRON PIPE.

8 THRUST COLLAR
 UC-3D SCALE: N.T.S.

REVISIONS