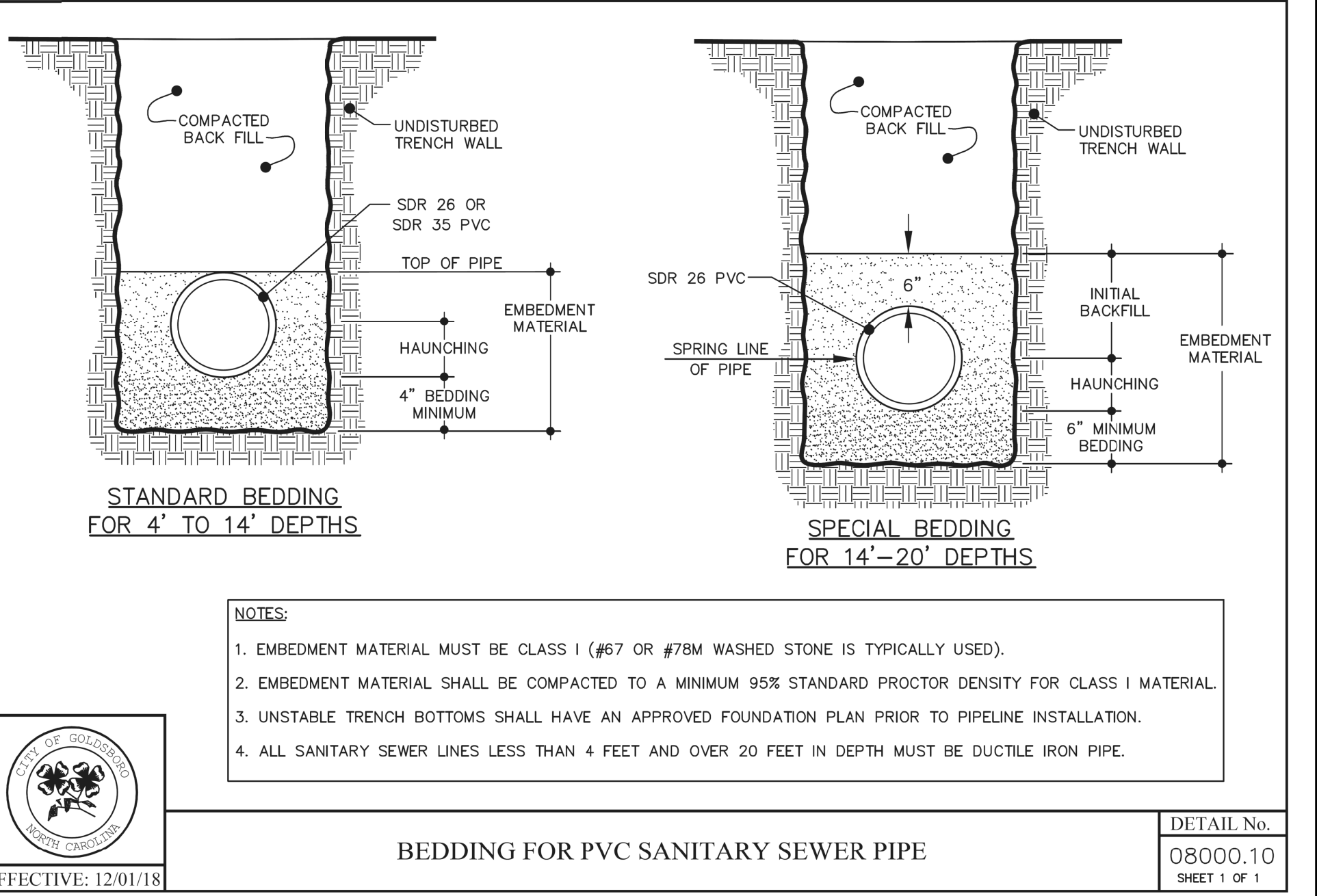
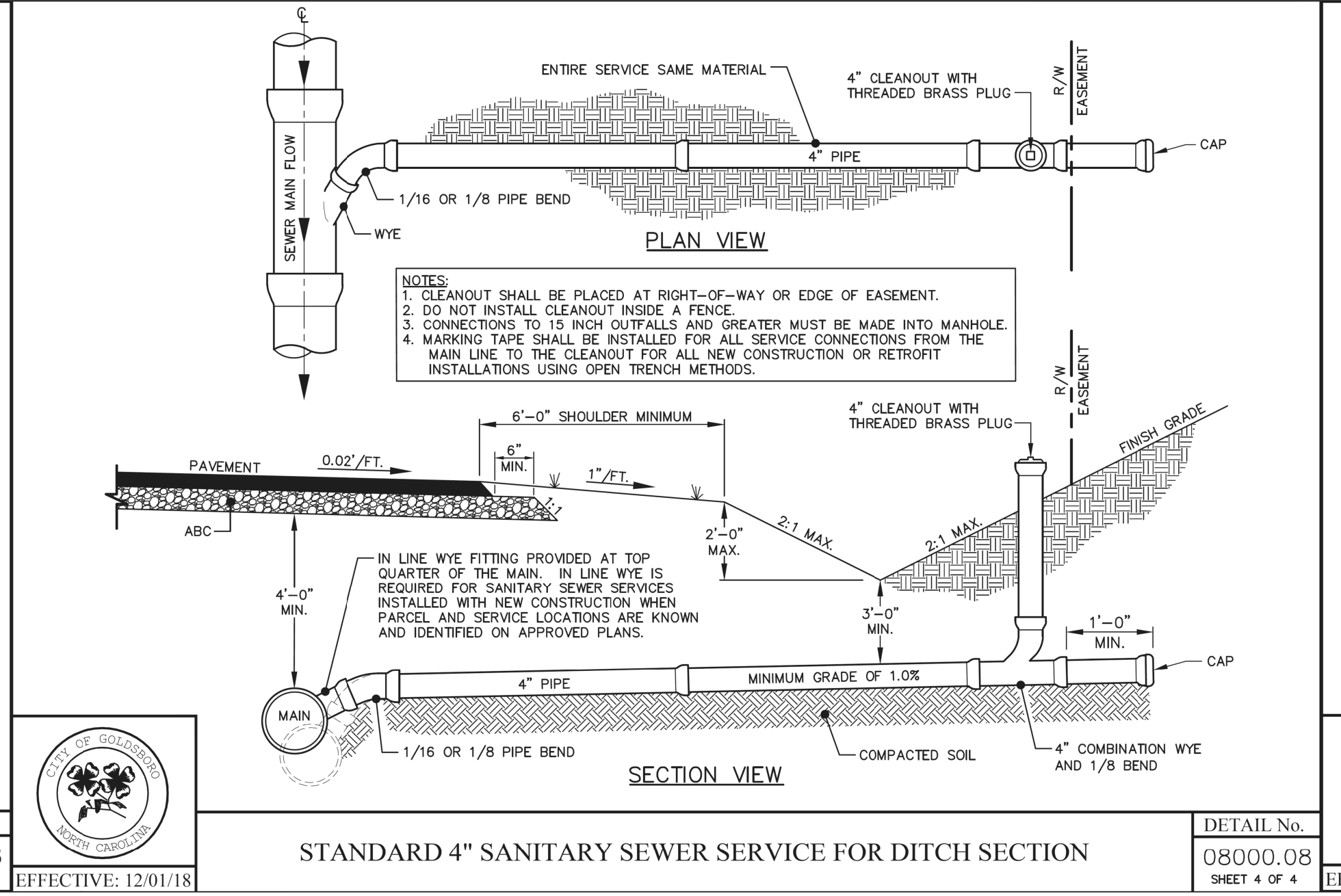
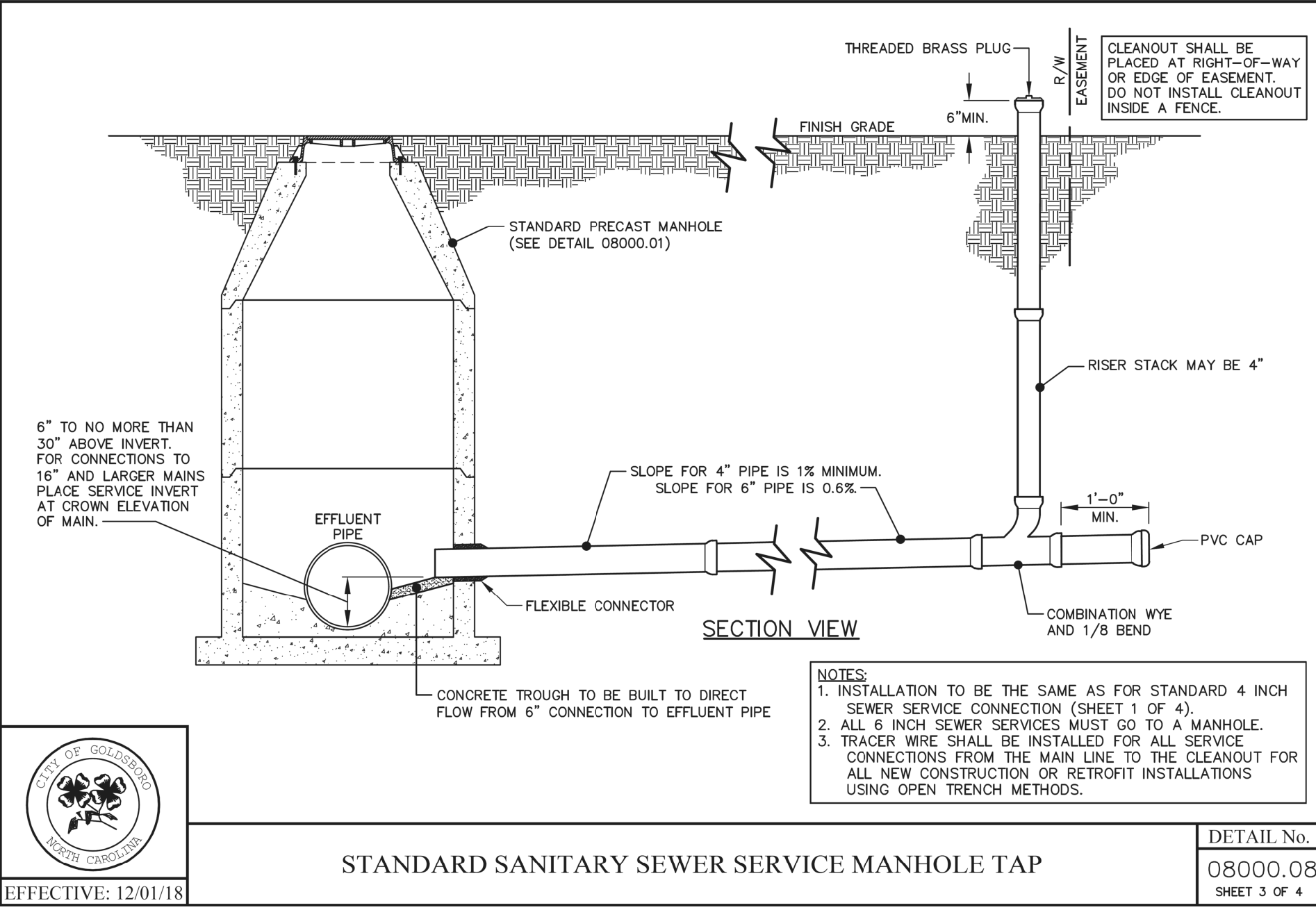
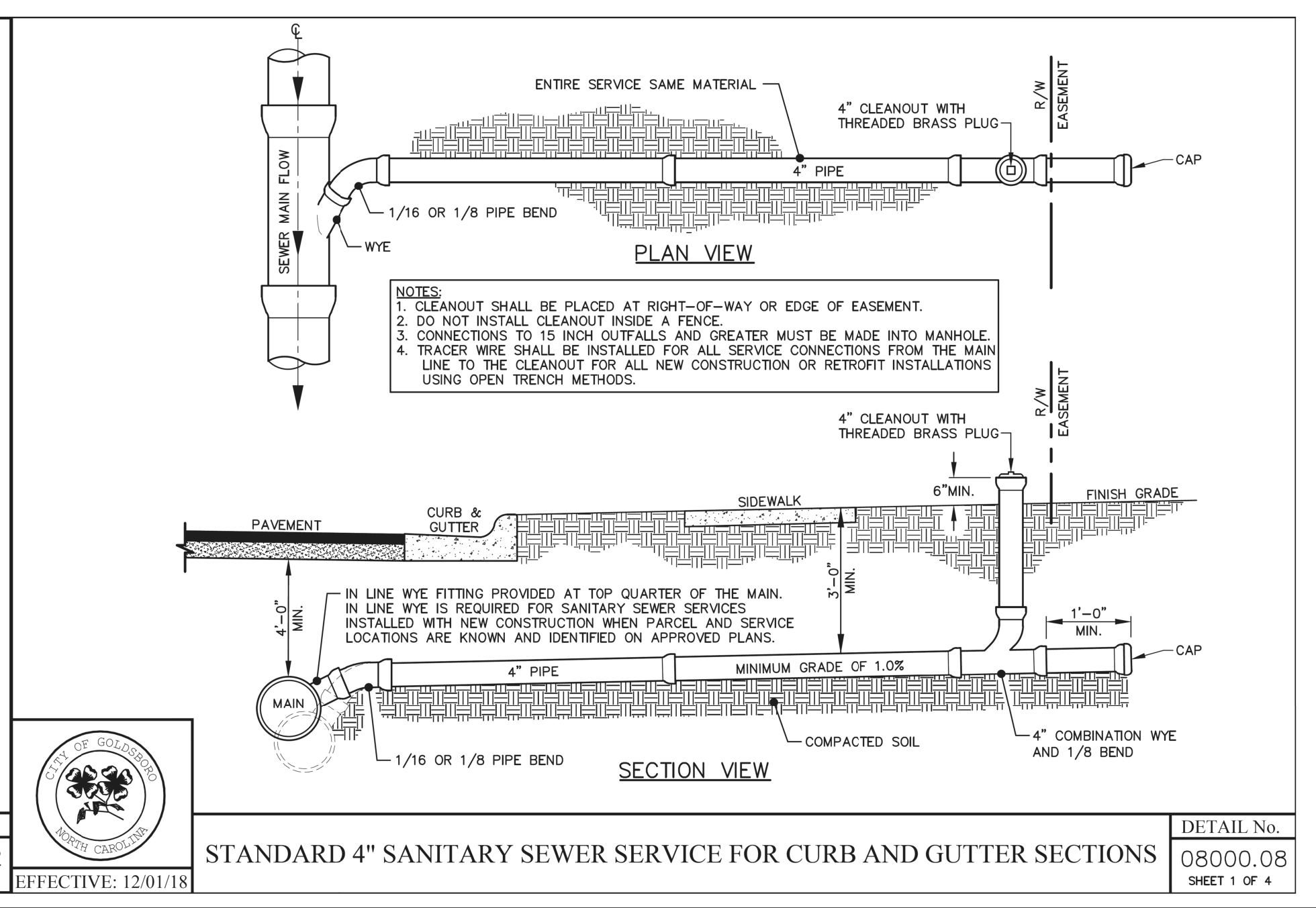
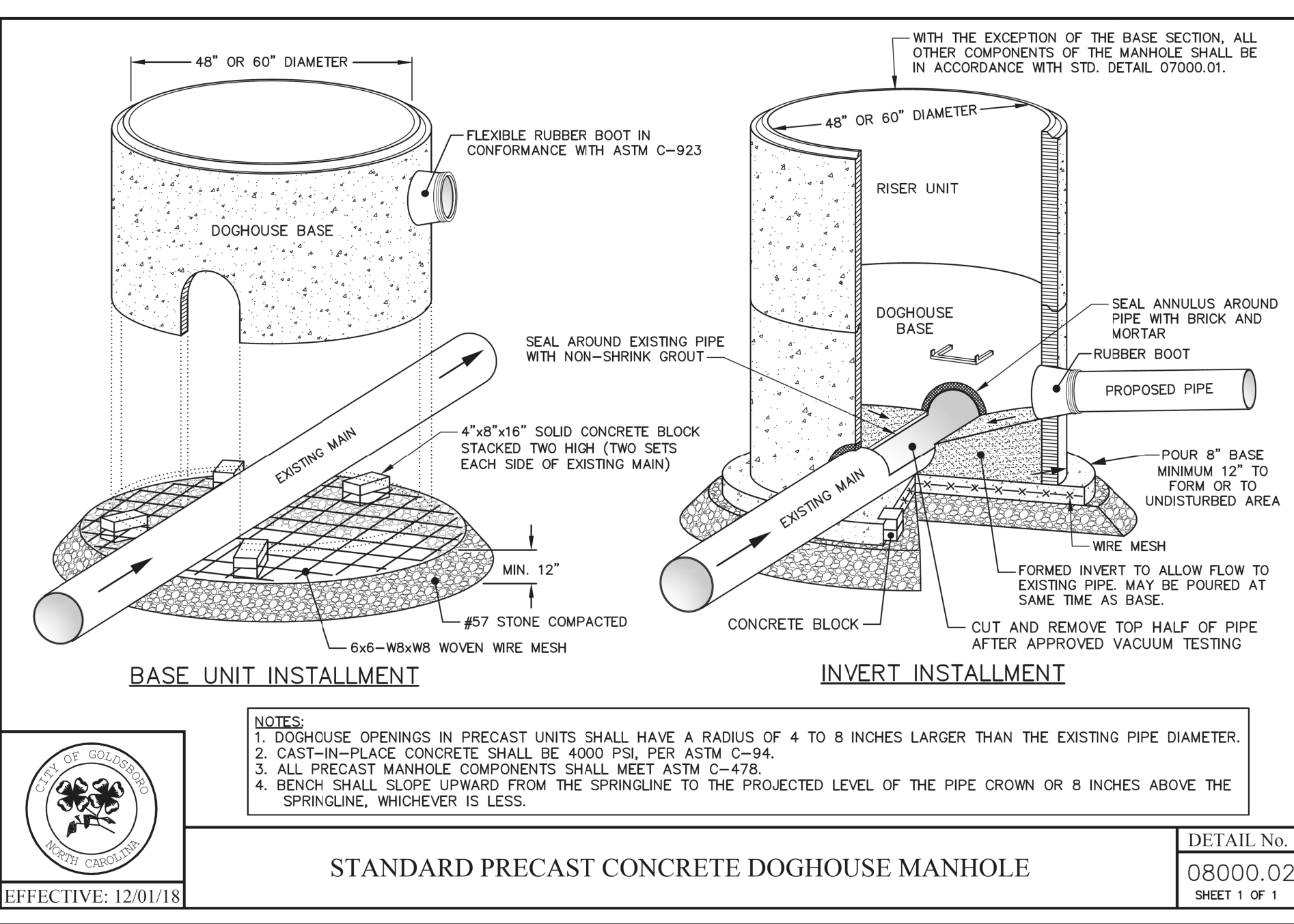


5/14/2018

Kimley»Horn
 421 FAYETTEVILLE STREET, SUITE 600
 RALEIGH, NC 27601

PROJECT REFERENCE NO. U-5724	SHEET NO. UC-3C
UTILITY DESIGN ENGINEER	
STANDARD DETAILS DESIGNED BY CITY OF GOLDSBORO AND NCDOT AS SHOWN	
DOCUMENT NOT CONSIDERED FINAL UNLESS ALL SIGNATURES COMPLETED	



SPECIFICATION TIME (MIN:SEC) REQUIRED FOR PRESSURE DROP FROM 3-1/2 TO 2-1/2 PSIG

LENGTH OF TEST SECTION	NOMINAL PIPE DIAMETER (INCHES)															
	8	10	12	14	15	16	18	20	21	24	27	30	36	42		
25	7:33	9:26	11:20	13:13	14:10	15:11	17:00	18:53	19:48	22:40	25:30	28:19	34:00	39:40		
50	7:33	9:26	11:20	13:13	14:10	15:11	17:00	18:53	19:48	22:40	25:30	28:19	34:00	39:40		
75	7:33	9:26	11:20	13:13	14:10	15:11	17:00	18:53	19:48	22:40	25:30	28:19	34:00	52:35		
100	7:33	9:26	11:20	13:13	14:10	15:11	17:00	18:53	19:48	22:47	25:51	35:37	51:17	69:48		
125	7:33	9:26	11:20	13:13	14:10	15:11	17:00	19:47	21:48	28:29	36:03	44:31	64:06	87:15		
150	7:33	9:26	11:20	13:13	14:10	15:12	19:14	23:44	26:10	34:11	43:16	53:25	76:55	104:42		
175	7:33	9:26	11:20	13:34	15:35	17:44	22:26	27:42	30:32	39:53	50:28	62:19	89:45	122:10		
200	7:33	9:26	11:24	15:31	17:48	20:16	25:39	31:39	34:54	45:35	57:42	71:13	102:36	139:36		
225	7:33	9:26	12:49	17:27	20:02	22:48	28:51	35:37	39:16	51:17	64:54	80:08	115:24	157:03		
250	7:33	9:53	14:15	19:23	22:16	25:20	32:03	39:34	43:37	56:58	72:07	89:02	128:12	174:30		
275	7:33	10:52	15:40	21:20	24:29	27:52	35:16	43:31	47:59	62:40	79:19	97:56	141:00	191:57		
300	7:35	11:52	17:06	23:16	26:43	30:23	38:28	47:29	52:21	68:22	86:32	106:48	153:54	209:25		
350	8:52	13:51	19:57	27:09	31:10	35:27	44:52	55:24	61:05	79:46	101:00	124:42	179:30	244:19		
400	10:07	15:50	22:48	31:01	35:37	40:31	51:17	63:19	69:48	91:10	115:24	142:30	205:06	279:13		
450	11:23	17:48	25:39	34:54	40:04	45:35	57:42	71:13	78:31	102:36	129:48	160:18	230:48	314:07		
500	12:39	19:47	28:30	38:47	44:31	50:39	64:06	79:08	87:15	114:00	144:12	178:06	256:24	349:02		

DETAIL No. 08000.12
SHEET 1 OF 1
EFFECTIVE: 12/01/18

