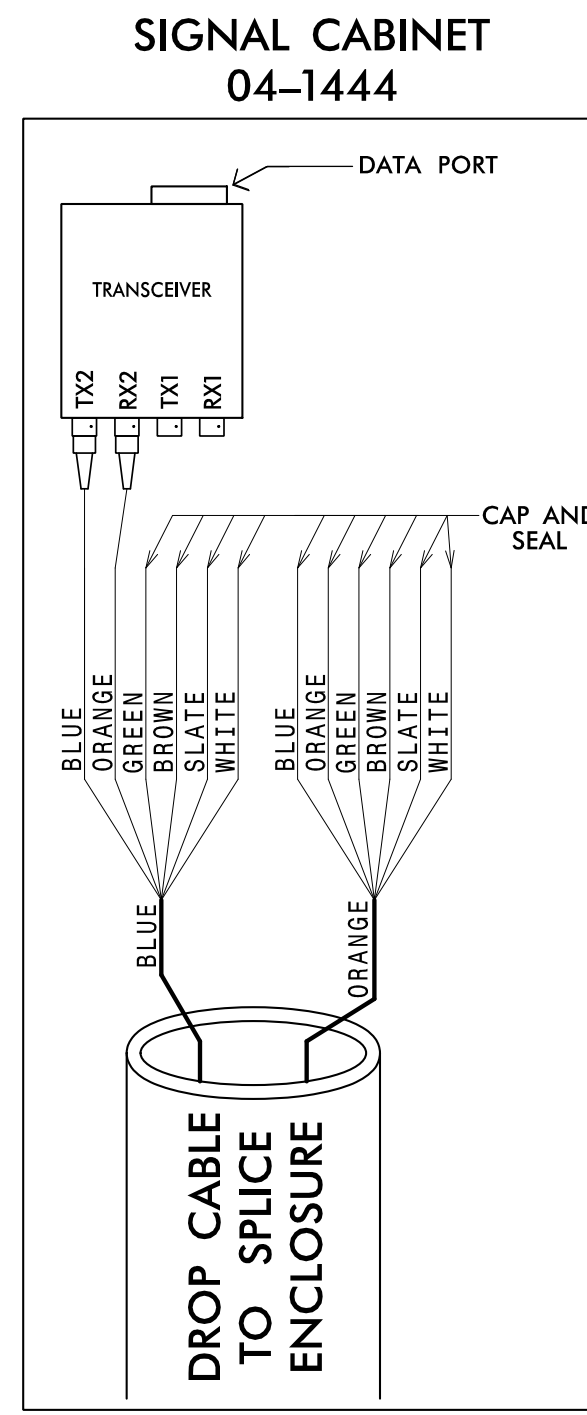
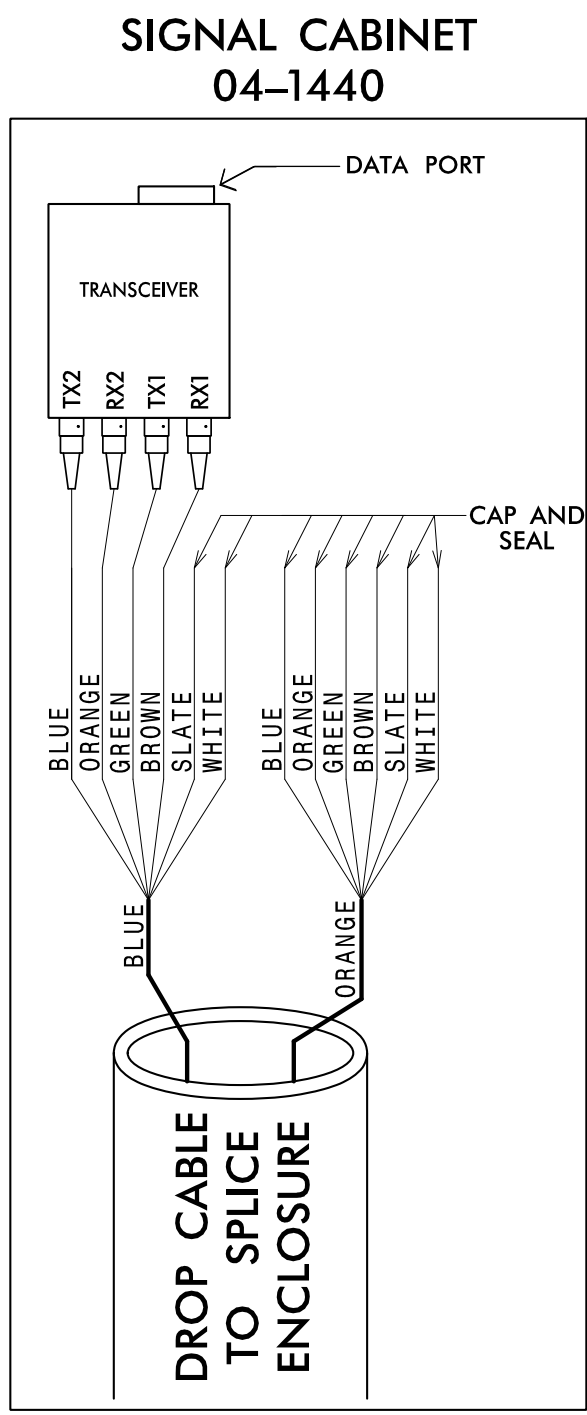
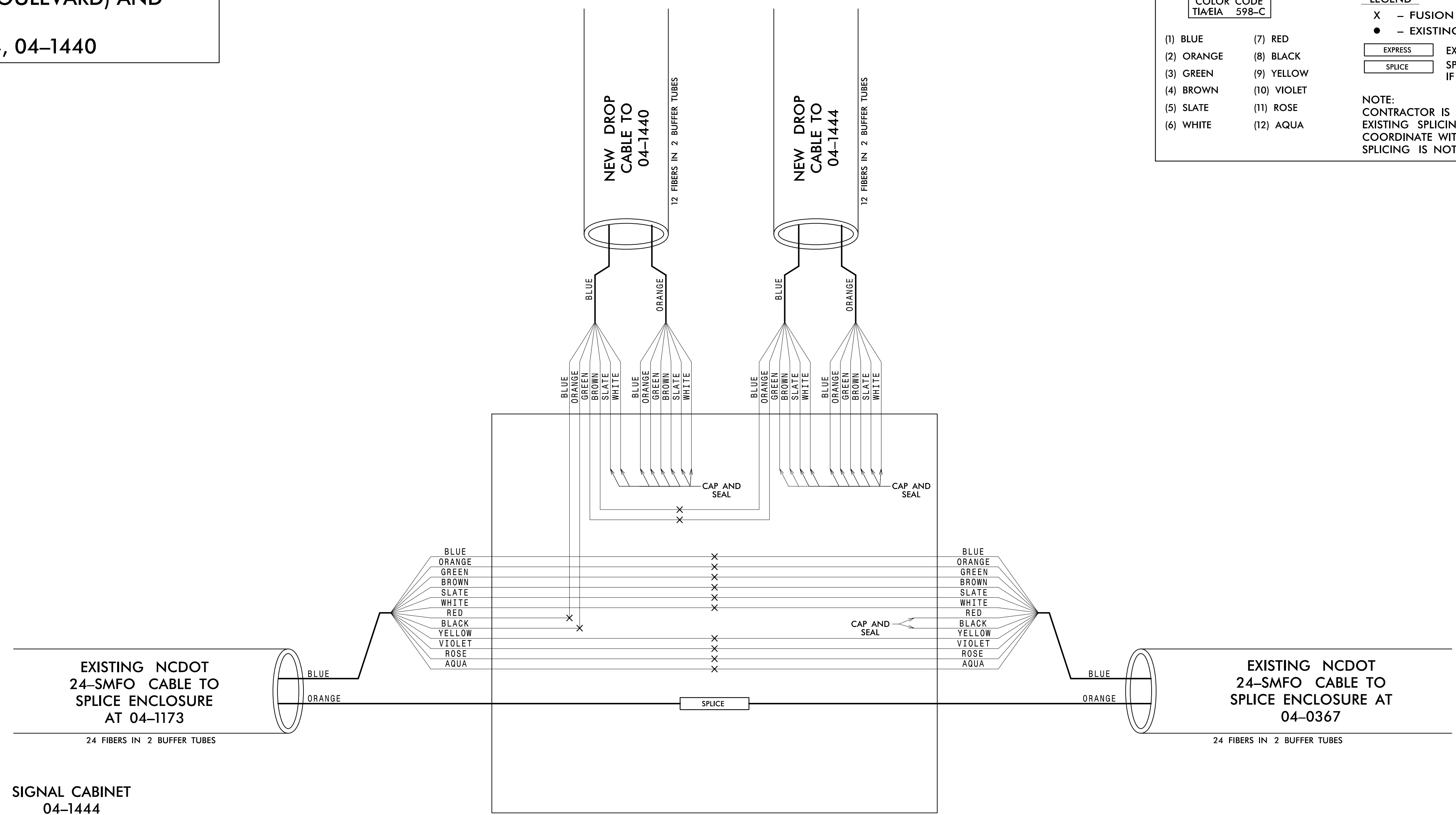


NEW UNDERGROUND SPlice ENCLOSURE AT US-13 (BERKELEY BOULEVARD) AND HILL DRIVE CIRCLE
SIGNAL ID # 04-1444, 04-1440

COLOR CODE TIA/EIA 598-C		LEGEND	
(1) BLUE	(7) RED	X - FUSION SPlice INDIVIDUAL FIBER	
(2) ORANGE	(8) BLACK	● - EXISTING SPlice	
(3) GREEN	(9) YELLOW	EXPRESS	EXPRESS ENTIRE BUFFER TUBE
(4) BROWN	(10) VIOLET	SPlice	SPlice ENTIRE BUFFER TUBE OR MAINTAIN IF EXISTING EXPRESSED
(5) SLATE	(11) ROSE	NOTE: CONTRACTOR IS RESPONSIBLE FOR FIELD VERIFYING EXISTING SPlicing. THE CONTRACTOR SHALL COORDINATE WITH THE ENGINEER WHERE EXISTING SPlicing IS NOT AS EXPECTED.	
(6) WHITE	(12) AQUA		



NOTES:

- 1) NOTIFY THE CITY OF GOLDSBORO TRAFFIC ENGINEER, BOBBY CROOM, AT 919-580-4278 FIVE (5) DAYS PRIOR TO BEGINNING WORK ON SIGNAL SYSTEM COMMUNICATIONS CABLE. NOTIFY THE CITY TRAFFIC ENGINEER AFTER ALL WORK IS PERFORMED TO ENSURE THAT ALL FIBER CIRCUITS ARE FUNCTIONING PROPERLY. ALL WORK IS NOT COMPLETE UNTIL THE SIGNAL SYSTEM IS BACK UP AND OPERATIONAL.
- 2) CONTRACTOR TO RECORD EXISTING SPlice ARRANGEMENT FOR COMPARISON TO THE SUPPLIED SPlice DETAILS. IF DISCREPANCIES EXIST, CONTACT THE ENGINEER TO DETERMINE HOW TO PROCEED WITH RESPLICING. PROVIDE AS-BUILT PLANS TO THE ENGINEER IF FINAL SPlice ARRANGEMENT DIFFERS FROM THE SUPPLIED SPlice DETAILS.
- 3) TRANSCeIVER TERMINATION CONFIGURATIONS ARE GENERIC. CONTRACTOR IS RESPONSIBLE FOR DETERMINING \ ENSURING PROPER TERMINATIONS.
- 4) INCLUDE ON THE COVER OF EACH SPlice TRAY THE FOLLOWING:
 REFERENCE SECTION 1731 "FIBER OPTIC SPlice ENCLOSURE"

1) SPlice LOCATION
 2) DATE
 3) COMPANY NAME
 4) NAME OF INDIVIDUAL PERFORMING THE SPlicing

PRIOR TO INSTALLING THE COVER ON THE SPlice TRAY TAKE A DIGITAL PHOTOGRAPH SHOWING THE SPlice TRAY AND INFORMATION SHOWN ABOVE (1-4) AND SUBMIT PHOTOGRAPH ALONG WITH OTDR TEST RESULTS.

6/29/2020 K:\ARL_TPTD_SIGNALS\01036333_U5724.S6 - Cable Routing U-5724.ITS_Psh0.dgn

Kimley»Horn
 NC License #F-0102
 421 Fayetteville St., Suite 600
 Raleigh, NC 27636
 Tel: (919) 677-2000
 Fax: (919) 677-2050

		DOCUMENT NOT CONSIDERED FINAL UNLESS ALL SIGNATURES COMPLETED	
PLAN DATE: OCT 2019		REVIEWED BY: K. SMITH	
PREPARED BY: J. CROSS		REVIEWED BY: K. SMITH	
REVISIONS	INIT.	DATE	SIGNATURE
SCALE: 0		SEAL: BENJAMIN SMITH, PROFESSIONAL ENGINEER, SEAL 030472, DATE 6/30/2020	
CADD Filename:		DATE:	