

08-FEB-2018 08:02
 S:\Contracts\Contractors\Special_Details\vertical\usr\details\stand\840d14min.dgn
 jhower-ton AT CSD-252545

5/14/99

STATE OF
 NORTH CAROLINA
 DEPT. OF TRANSPORTATION
 DIVISION OF HIGHWAYS
 RALEIGH, N.C.

ENGLISH DETAIL DRAWING FOR
MINIMUM DEPTH CONCRETE DROP INLET
 12" THRU 30" PIPE

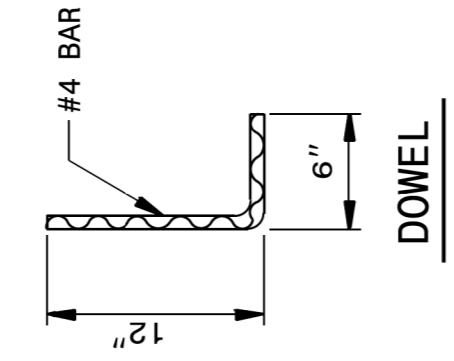
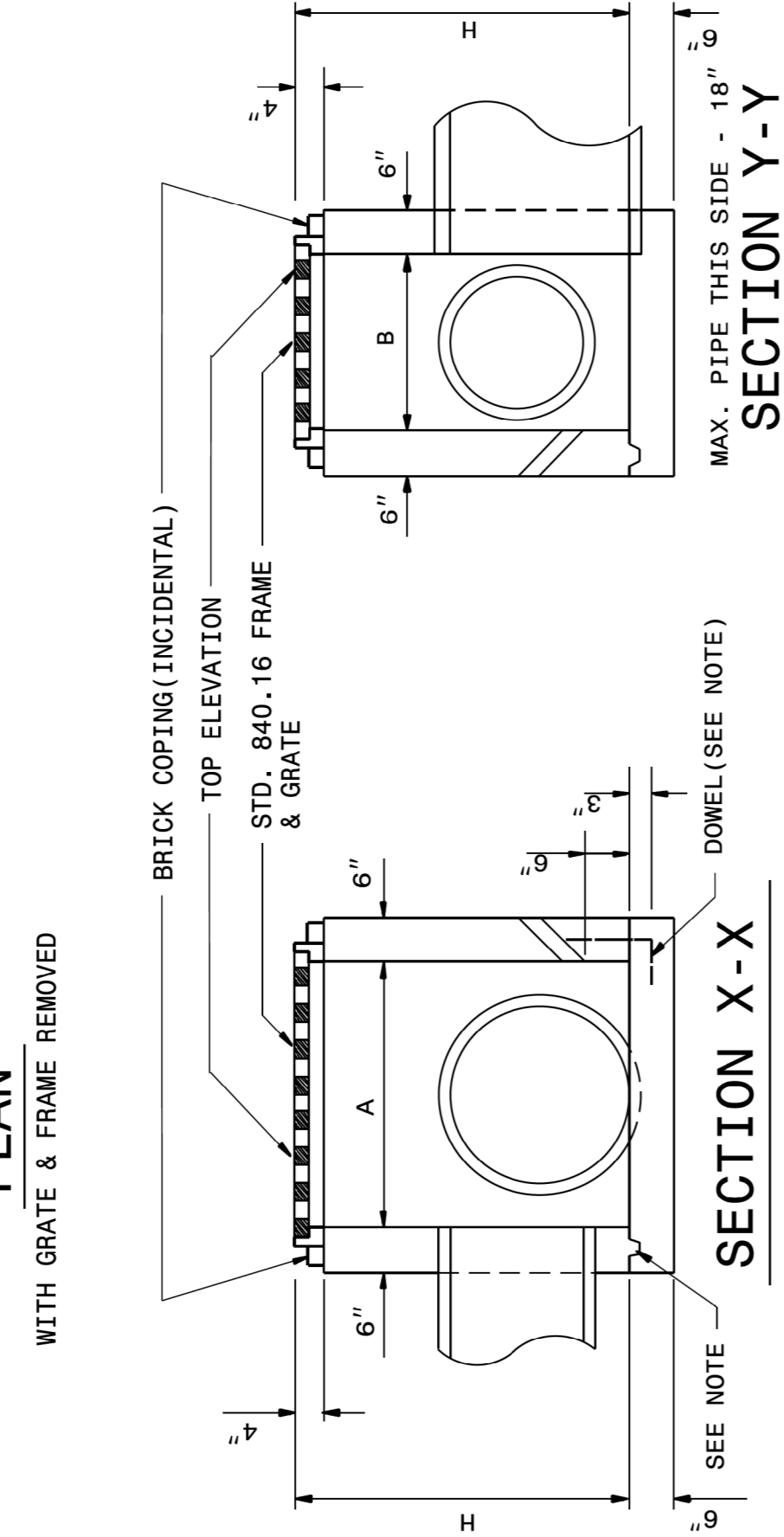
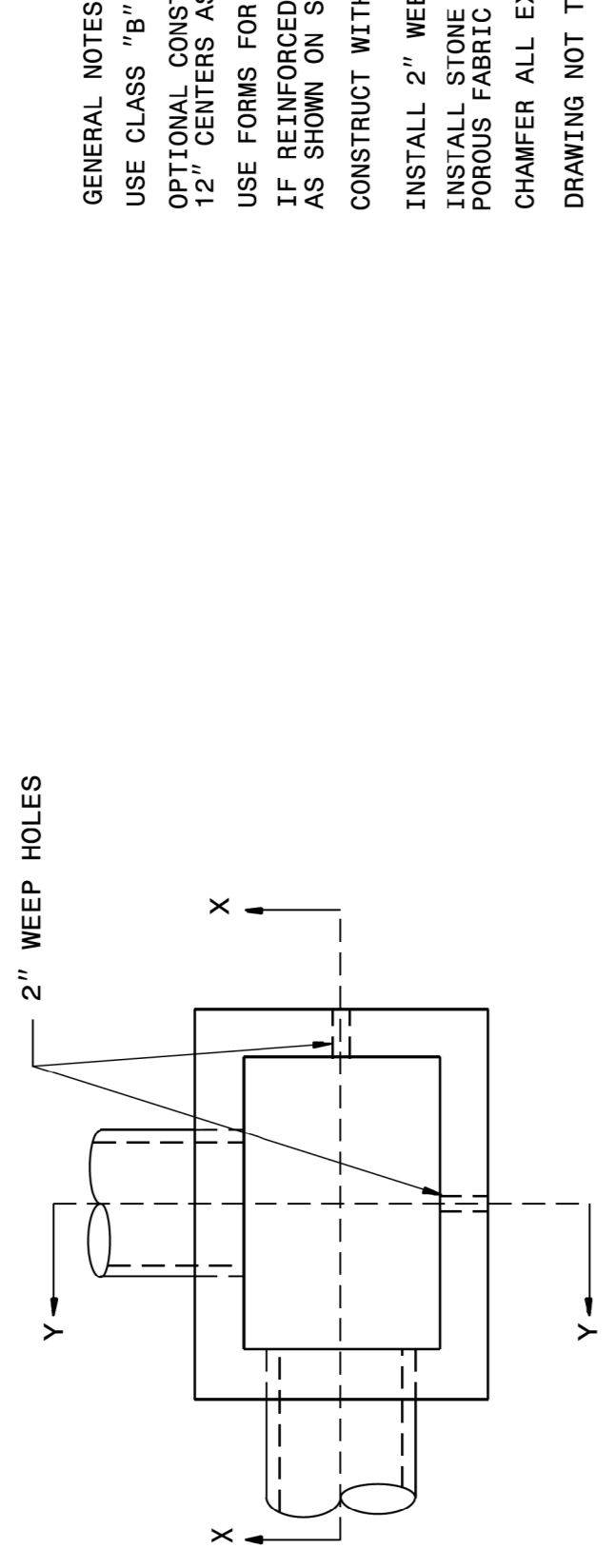
SHEET 1 OF 1
840D14

STATE OF
 NORTH CAROLINA
 DEPT. OF TRANSPORTATION
 DIVISION OF HIGHWAYS
 RALEIGH, N.C.

ENGLISH DETAIL DRAWING FOR
MINIMUM DEPTH CONCRETE DROP INLET
 12" THRU 30" PIPE

SHEET 1 OF 1
840D14

GENERAL NOTES:
 USE CLASS "B" CONCRETE THROUGHOUT.
 OPTIONAL CONSTRUCTION - MONOLITHIC POUR 2" KEYWAY OR #4 BAR DOWELS AT 12" CENTERS AS DIRECTED BY THE ENGINEER.
 USE FORMS FOR THE CONSTRUCTION OF THE BOTTOM SLAB.
 IF REINFORCED CONCRETE PIPE IS SET IN BOTTOM SLAB OF BOX, ADD TO SLAB AS SHOWN ON STD. NO. 840.00.
 CONSTRUCT WITH PIPE CROWNS MATCHING.
 INSTALL 2" WEEPHOLES AS DIRECTED BY THE ENGINEER.
 INSTALL STONE DRAINS, OF A MINIMUM OF 1 CUBIC FOOT OF NO. 78M STONE IN A POROUS FABRIC BAG OR WRAP, AT EACH WEEP HOLE OR AS DIRECTED BY THE ENGINEER.
 CHAMFER ALL EXPOSED CORNERS 1".
 DRAWING NOT TO SCALE.



DIMENSIONS AND QUANTITIES FOR DROP INLET (BASED ON MIN. HEIGHT, H)							
DIMENSIONS OF BOX & PIPE		CUBIC YARDS CONG. IN BOX		DEDUCTIONS FOR ONE PIPE			
PIPE	SPAN	WIDTH	MIN. HEIGHT	BOTTOM WALL PER SLAB	TOTAL CONCRETE PER SLAB, FT. HT.	C.M.	R.C.
D	A	B	H				
12"	3'-0"	2'-0"	1'-8"	0.222	0.222	0.555	0.015
15"	↗	↗	1'-11"	↗	↗	0.611	0.023
18"	↗	↗	2'-1"	↗	↗	0.667	0.033
24"	↗	↗	2'-9"	↗	↗	0.814	0.059
30"	3'-0"	2'-0"	3'-2"	0.222	0.222	0.925	0.092

SHEET 1 OF 1
840D14

STATE OF
 NORTH CAROLINA
 DEPT. OF TRANSPORTATION
 DIVISION OF HIGHWAYS
 RALEIGH, N.C.

ENGLISH DETAIL DRAWING FOR
MINIMUM DEPTH BRICK DROP INLET
 12" THRU 30" PIPE

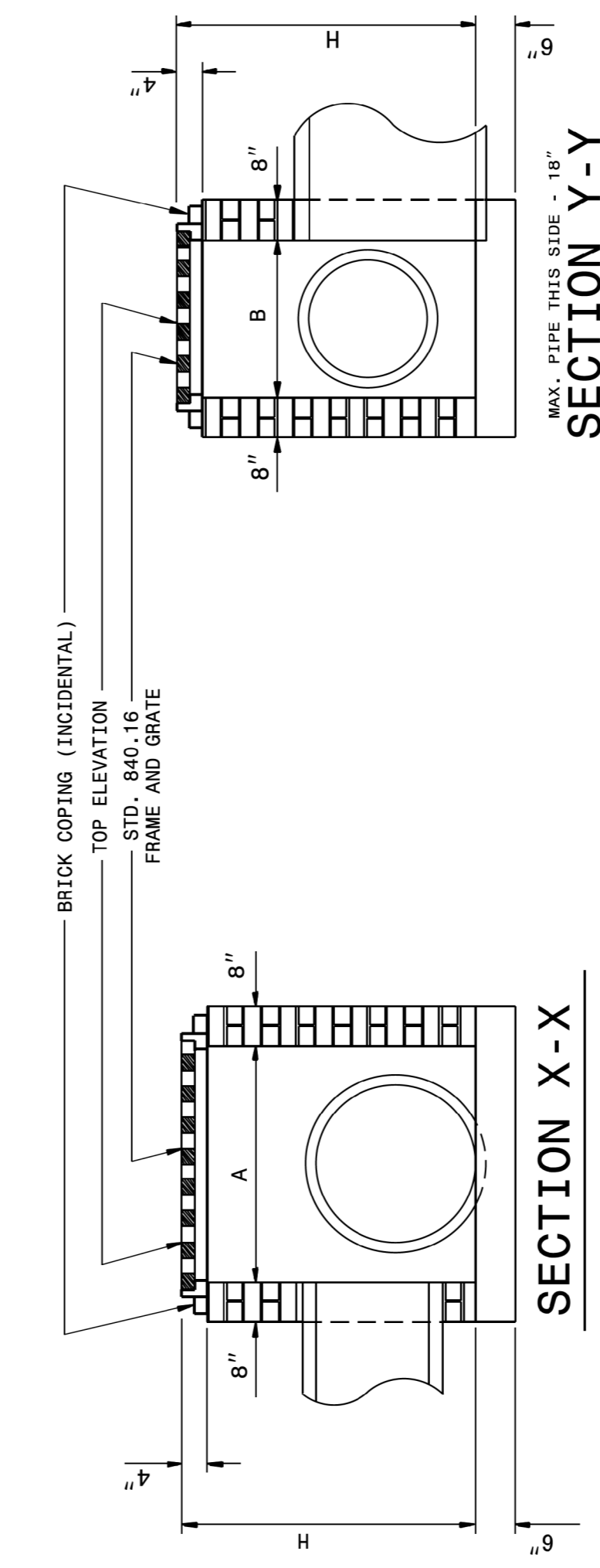
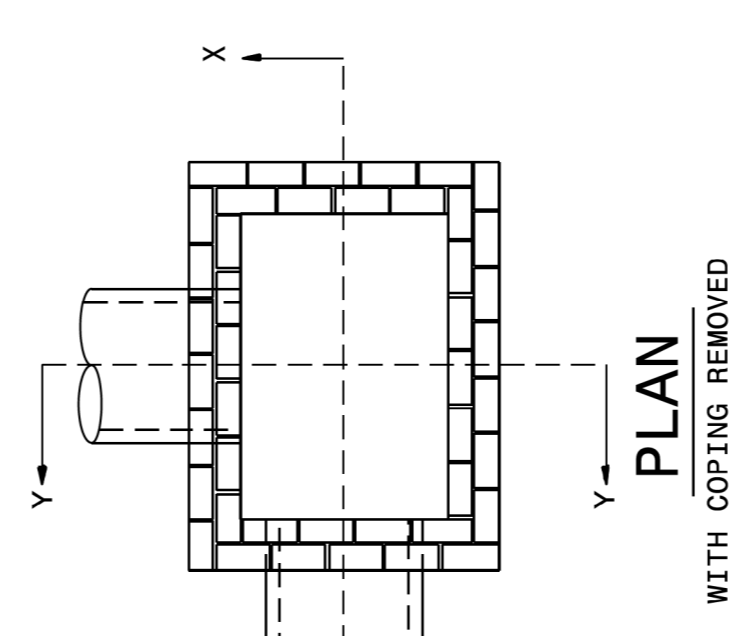
SHEET 1 OF 1
840D15

STATE OF
 NORTH CAROLINA
 DEPT. OF TRANSPORTATION
 DIVISION OF HIGHWAYS
 RALEIGH, N.C.

ENGLISH DETAIL DRAWING FOR
MINIMUM DEPTH BRICK DROP INLET
 12" THRU 30" PIPE

SHEET 1 OF 1
840D15

GENERAL NOTES:
 MORTAR JOINTS 1/2" TO 3/8" THICK.
 USE CLASS "B" CONCRETE THROUGHOUT.
 USE FORMS FOR CONSTRUCTION OF THE BOTTOM SLAB.
 DEDUCT FOR PIPE(S) FROM TOTAL CU. YDS. OF BRICK MASONRY.
 USE BRICK OR CONCRETE BLOCK WHICH COMPLIES WITH THE REQUIREMENTS OF SECTION 840 OF THE STANDARD SPECIFICATIONS.
 IF REINFORCED CONCRETE PIPE IS SET IN BOTTOM SLAB OF BOX, ADD TO SLAB AS SHOWN ON STD. NO. 840.00.
 CONSTRUCT WITH PIPE CROWNS MATCHING.
 DO NOT USE BRICK MASONRY DROP INLET IN LOCATIONS SUBJECT TO TRAFFIC.
 CHAMFER ALL EXPOSED CORNERS 1".
 DRAWING NOT TO SCALE.



SECTION Y-Y
 MAX. PIPE THIS SIDE - 18"

DIMENSIONS AND QUANTITIES FOR DROP INLET (BASED ON MIN. HEIGHT, H)							
DIMENSIONS OF BOX & PIPE		CUBIC YARDS CONCRETE		CUBIC YARDS BRICK MASONRY		DEDUCTIONS FOR ONE PIPE	
PIPE	SPAN	WIDTH	MIN. HEIGHT	BOTTOM WALL PER SLAB	TOTAL BRICK MASONRY PER MIN. HEIGHT, H	C.S.	R.C.
D	A	B	H				
12"	3'-0"	2'-0"	1'-8"	0.268	0.313	0.470	0.020
15"	↗	↗	1'-11"	0.268	0.313	0.548	0.031
18"	↗	↗	2'-1"	0.268	0.313	0.626	0.044
24"	↗	↗	2'-9"	0.268	0.313	0.835	0.078
30"	3'-0"	2'-0"	3'-2"	0.268	0.313	0.991	0.122

SHEET 1 OF 1
840D15

DOCUMENT NOT CONSIDERED FINAL
 UNLESS ALL SIGNATURES COMPLETED

**CONTRACT STANDARDS
 AND DEVELOPMENT UNIT**
 Office 919-707-6950 FAX 919-250-4119

SEE PLATE FOR TITLE

ORIGINAL BY: 2002 STD. 840.14 DATE: _____
 MODIFIED BY: E.E. WARD DATE: 3-4-02
 CHECKED BY: _____ DATE: _____
 FILE SPEC.: _____

Kimley » Horn
 P.O. BOX 33068 • RALEIGH, N.C. 27636-3068

