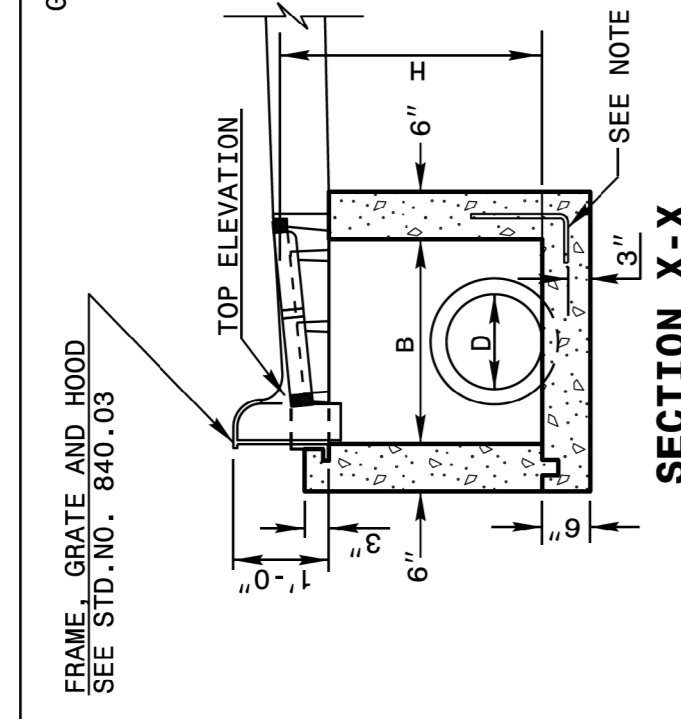
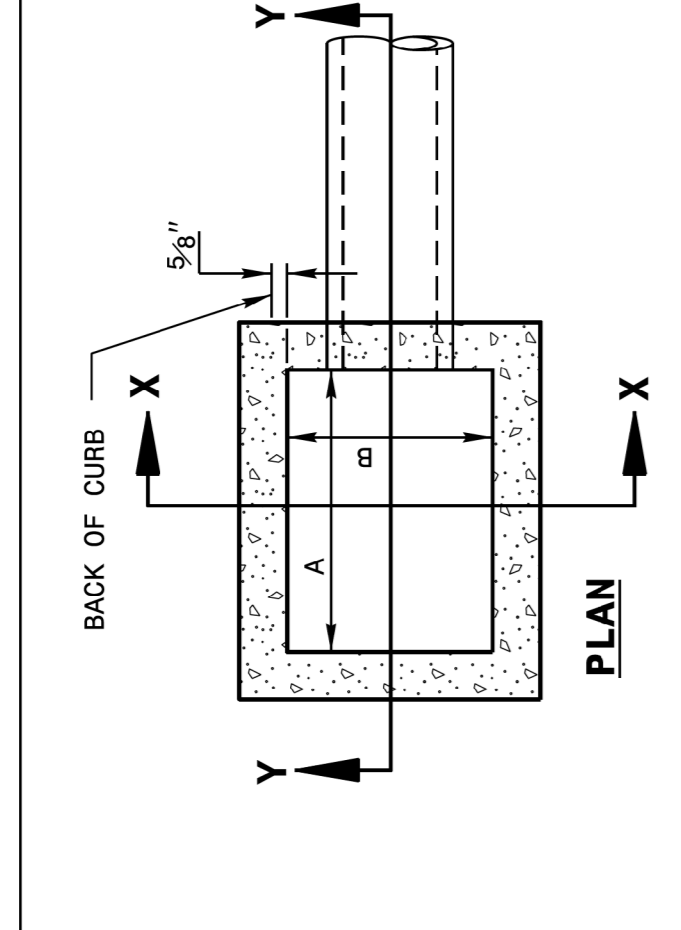


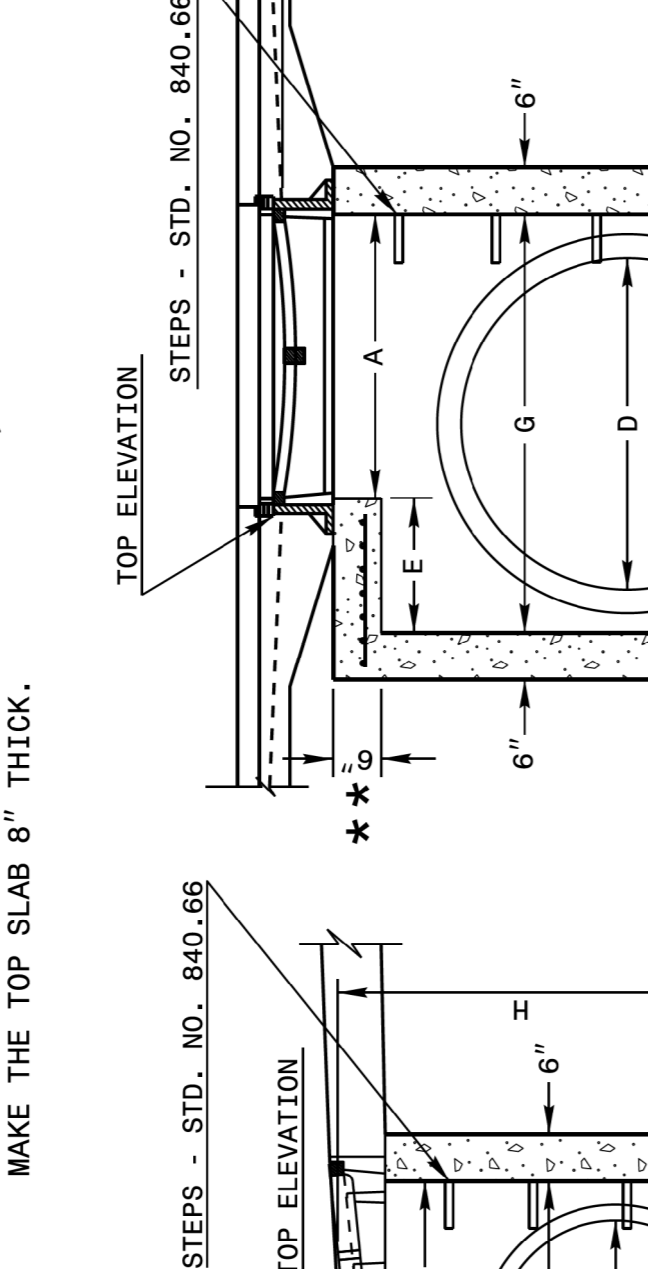
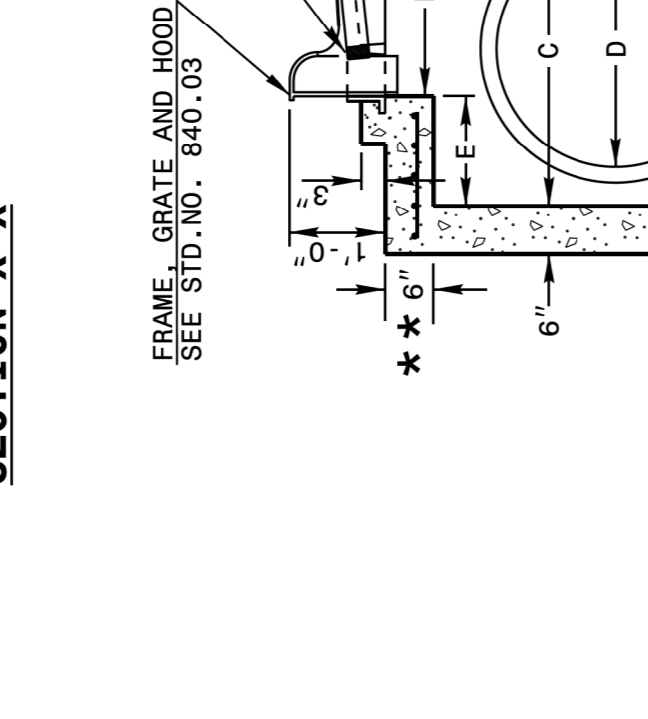
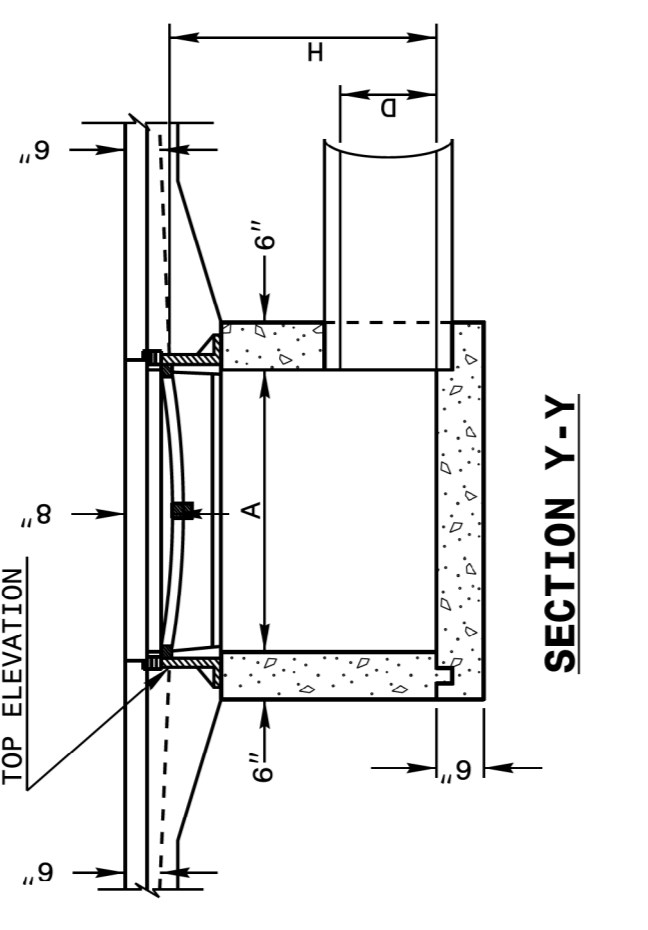
10-AUG-2017 10:41
 S:\Contracts\Special Details\jhowerton\840d02 Min Depth CB.dgn
 jhowerton AT CSD-252595

5/14/99

STATE OF NORTH CAROLINA
 DEPT. OF TRANSPORTATION
 DIVISION OF HIGHWAYS
 RALEIGH, N.C.



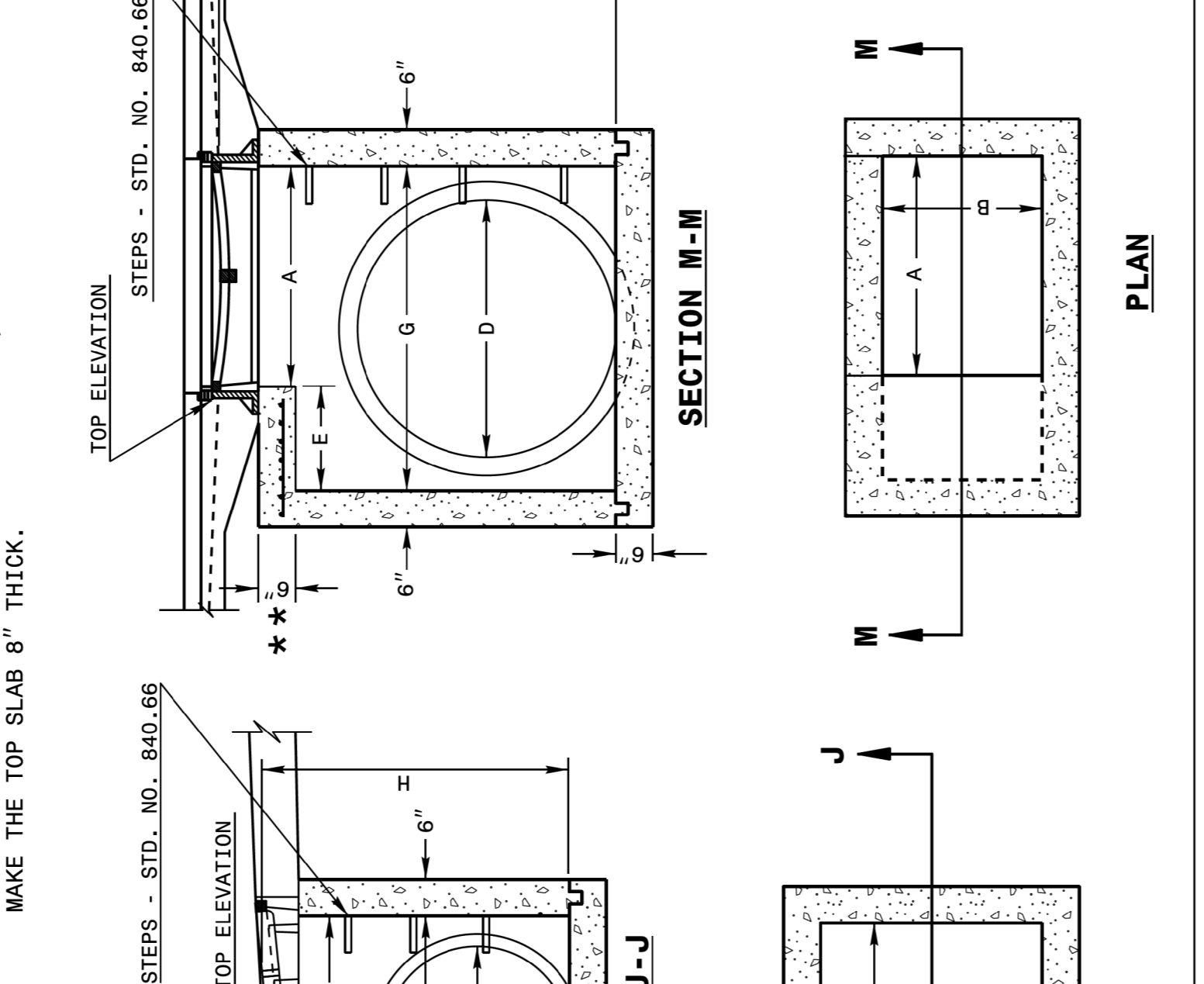
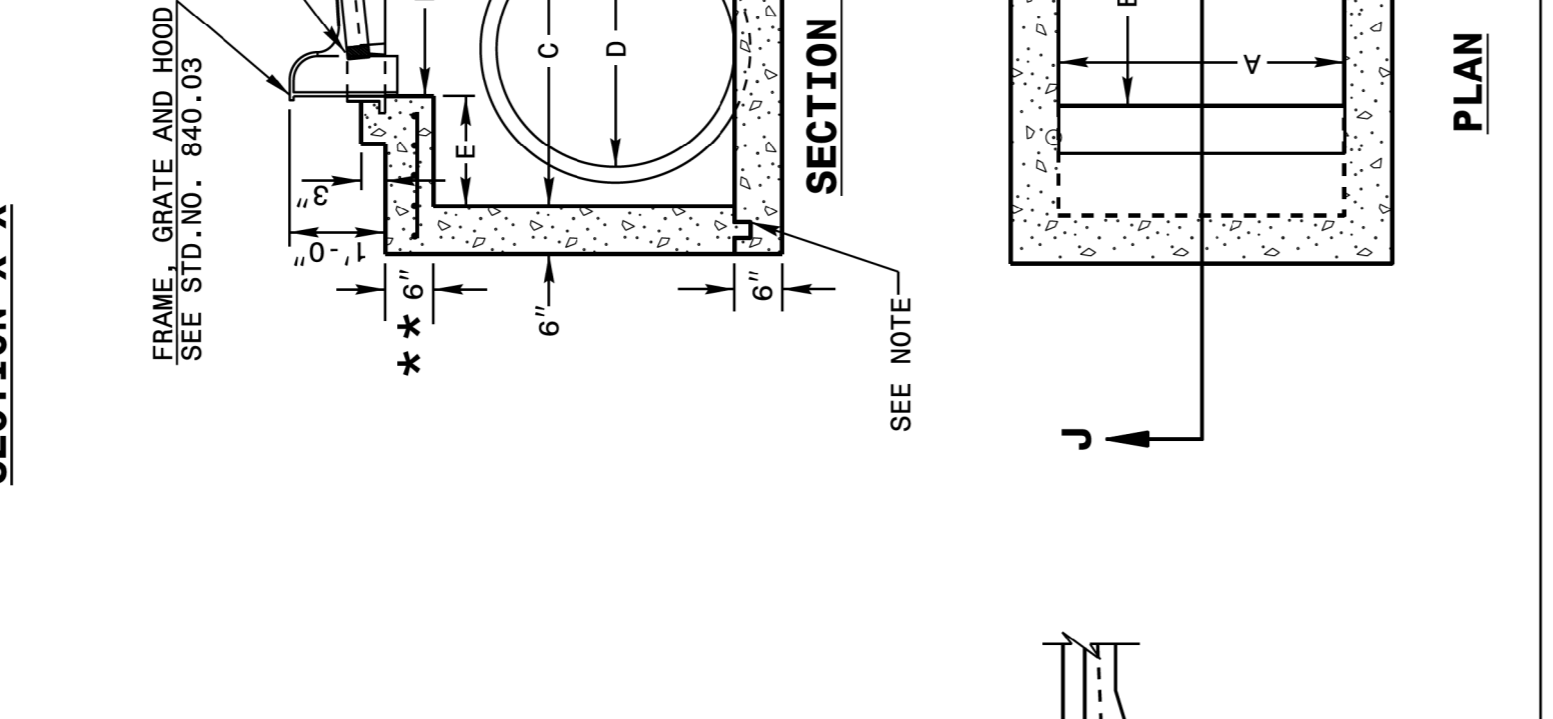
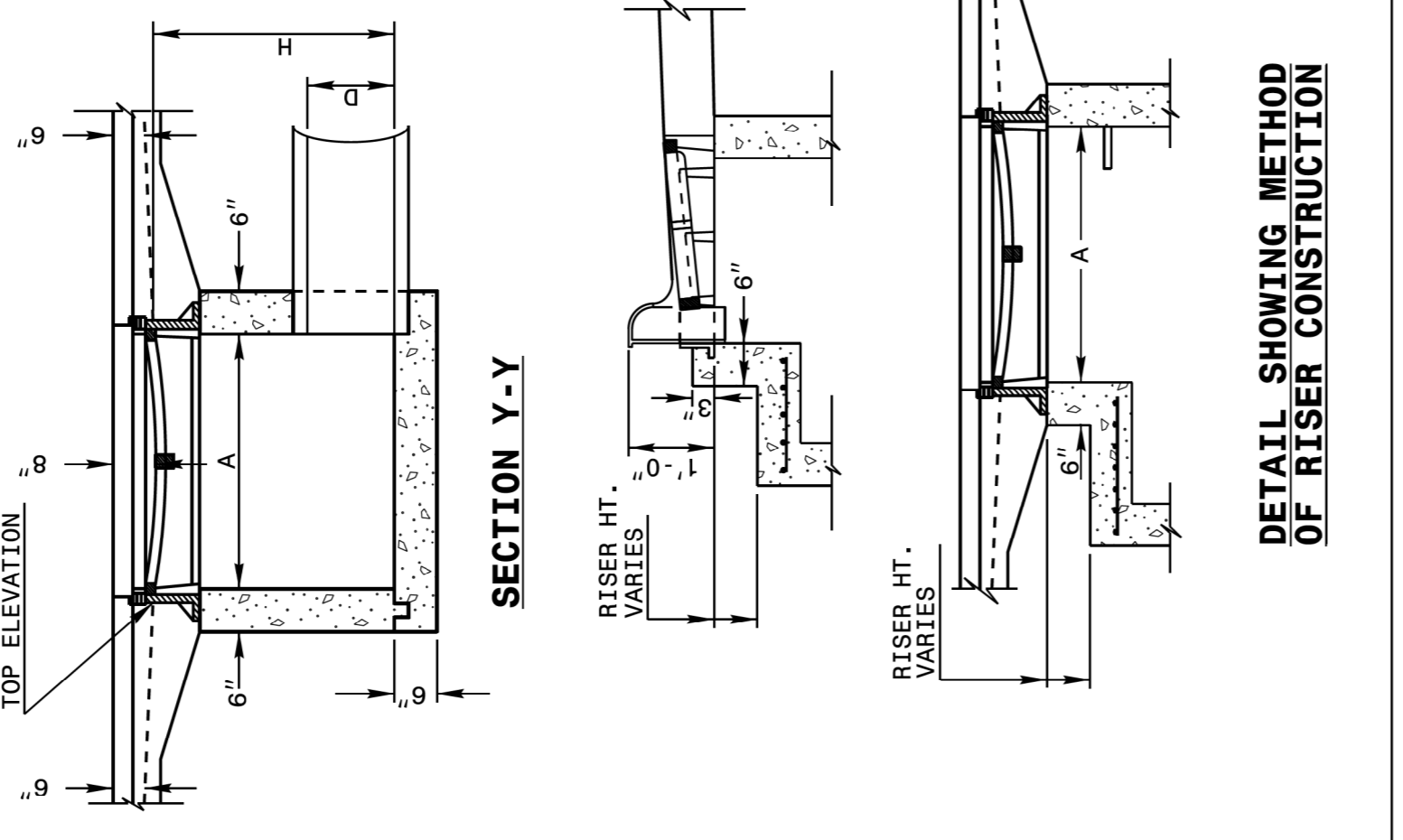
GENERAL NOTES:
 USE CLASS "B" CONCRETE THROUGHOUT.
 PROVIDE ALL CATCH BASINS OVER 3'-6" IN DEPTH WITH STEPS 12" ON CENTER. USE STEPS WHICH COMPLY WITH STD. DRAWING 840.66.
 OPTIONAL CONSTRUCTION - MONOLITHIC POUR, 2" KEYWAY, OR #4 BAR DOWELS AT 12" CENTERS AS DIRECTED BY THE ENGINEER.
 USE FORMS FOR THE CONSTRUCTION OF THE BOTTOM SLAB.
 IF REINFORCED CONCRETE PIPE IS SET IN BOTTOM SLAB, ADD TO SLAB AS SHOWN ON STD. NO. 840.00.
 USE TYPE "E", "F" AND "G" GRATES UNLESS OTHERWISE INDICATED.
 FOR 8'-0" IN HEIGHT OR LESS USE 6" WALLS AND BOTTOM SLAB, OVER 8'-0" IN HEIGHT USE 8" WALLS AND BOTTOM SLAB. ADJUST QUANTITIES ACCORDINGLY.
 CONSTRUCT WITH PIPE CROWNS MATCHING.
 CHAMFER ALL EXPOSED CORNERS 1".
 ** FOR STRUCTURES WITH PIPE LARGER THAN 54", MAKE THE TOP SLAB 8" THICK.



ENGLISH DETAIL DRAWING FOR
**MINIMUM DEPTH
 CONCRETE CATCH BASIN**
 12" THRU 84" PIPE
 SHEET 1 OF 2
840D02

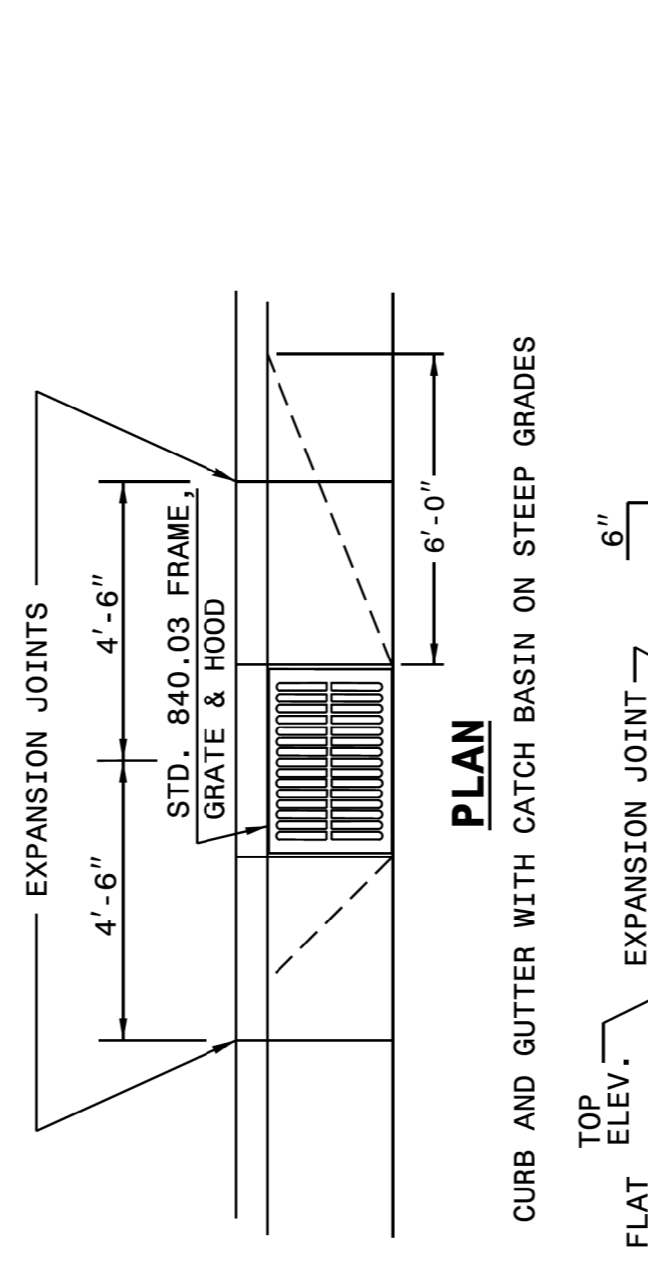
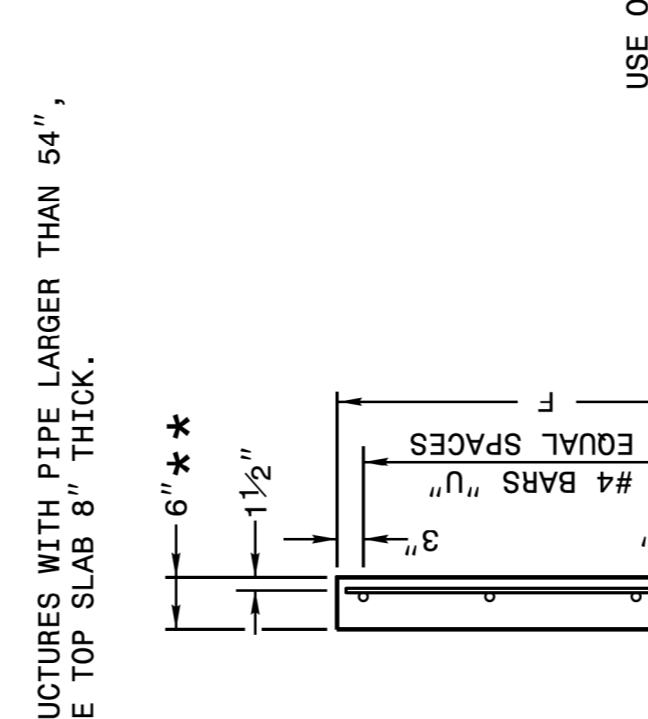
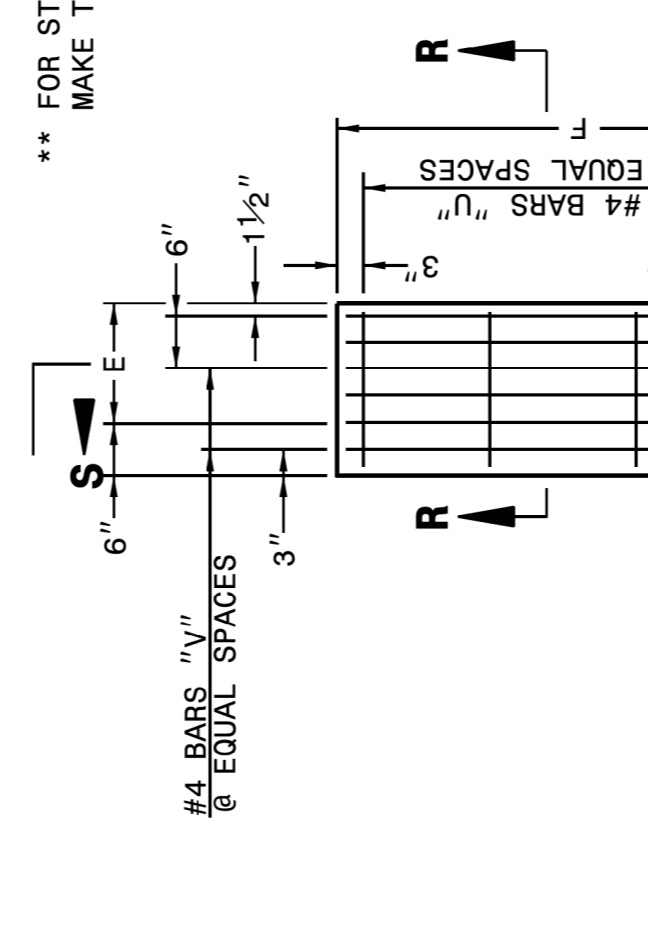
STATE OF NORTH CAROLINA
 DEPT. OF TRANSPORTATION
 DIVISION OF HIGHWAYS
 RALEIGH, N.C.

ENGLISH DETAIL DRAWING FOR
**MINIMUM DEPTH
 CONCRETE CATCH BASIN**
 12" THRU 84" PIPE
 SHEET 1 OF 2
840D02



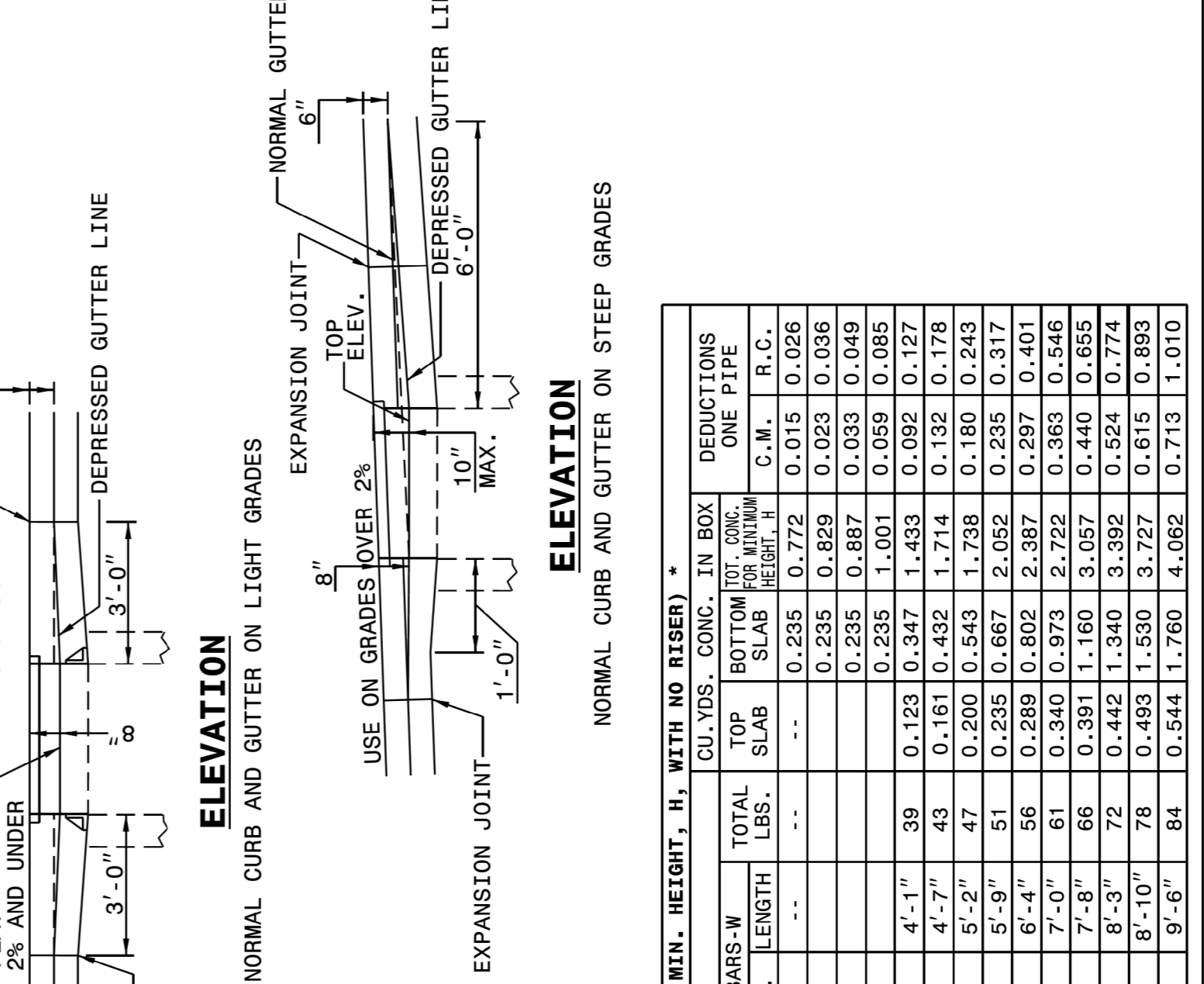
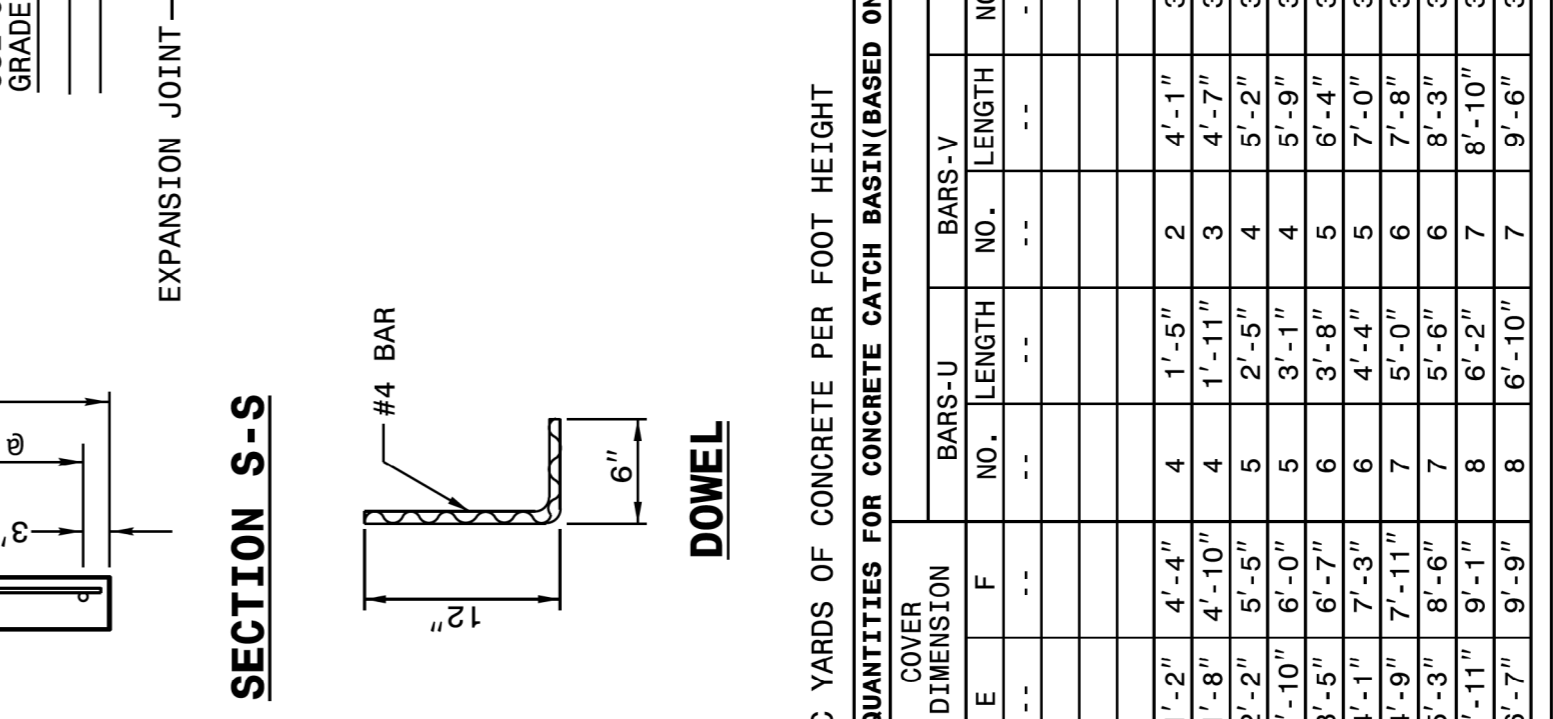
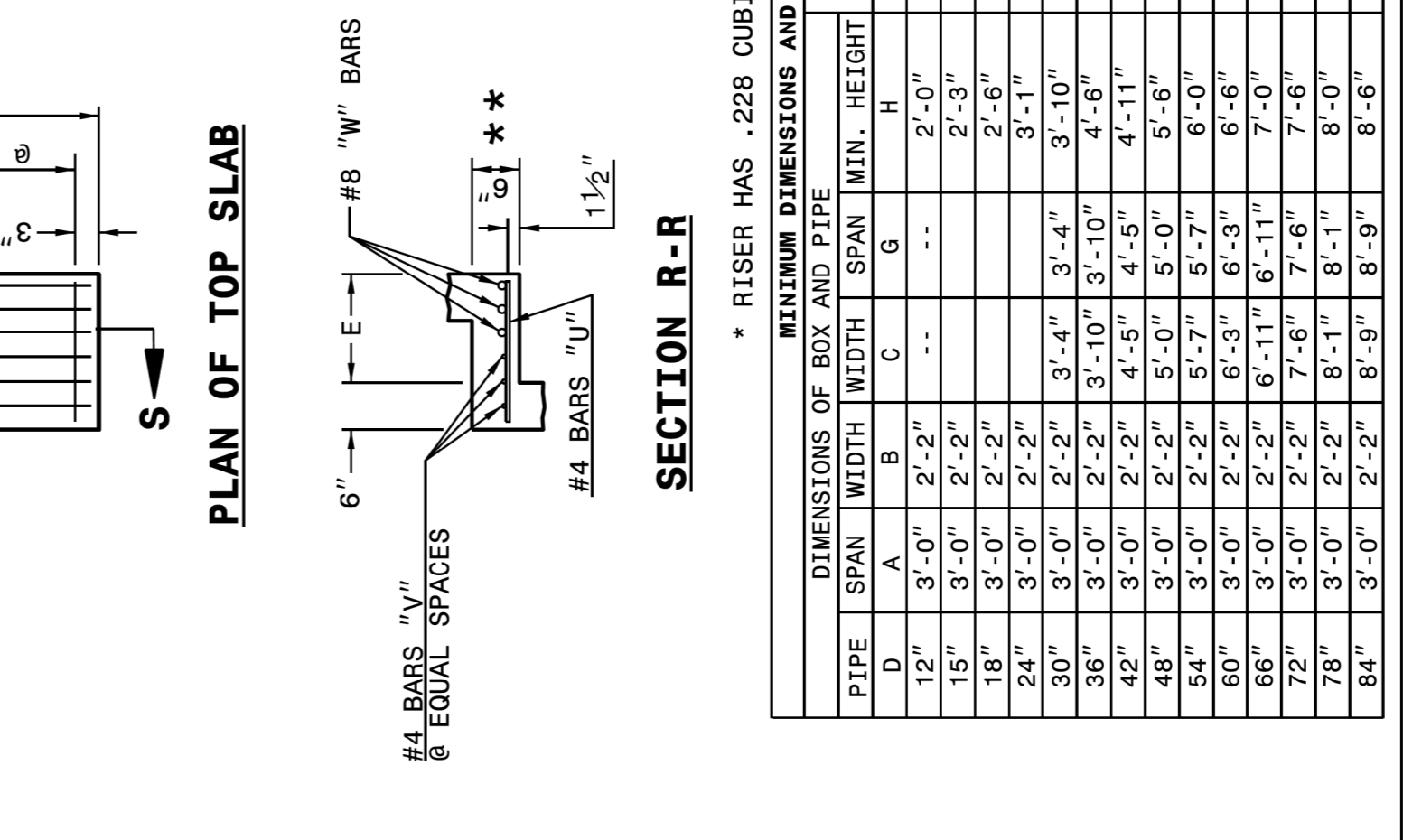
ENGLISH DETAIL DRAWING FOR
**MINIMUM DEPTH
 CONCRETE CATCH BASIN**
 12" THRU 84" PIPE
 SHEET 2 OF 2
840D02

STATE OF NORTH CAROLINA
 DEPT. OF TRANSPORTATION
 DIVISION OF HIGHWAYS
 RALEIGH, N.C.



ENGLISH DETAIL DRAWING FOR
**MINIMUM DEPTH
 CONCRETE CATCH BASIN**
 12" THRU 84" PIPE
 SHEET 2 OF 2
840D02

ENGLISH DETAIL DRAWING FOR
**MINIMUM DEPTH
 CONCRETE CATCH BASIN**
 12" THRU 84" PIPE
 SHEET 2 OF 2
840D02

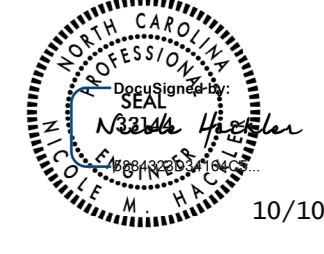


ENGLISH DETAIL DRAWING FOR
**MINIMUM DEPTH
 CONCRETE CATCH BASIN**
 12" THRU 84" PIPE
 SHEET 2 OF 2
840D02

** FOR STRUCTURES WITH PIPE LARGER THAN 54", MAKE THE TOP SLAB 8" THICK.

* RISER HAS .228 CUBIC YARDS OF CONCRETE PER FOOT HEIGHT

PIPE D.	DIMENSIONS OF BOX AND PIPE		COVER DIMENSION		BARS-U		BARS-V		BARS-W		TOTAL LBS.	CU. YDS. CONC. IN BOX	DEDUCTIONS		
	SPAN	WIDTH	MIN. HEIGHT	MAX. HEIGHT	NO.	LENGTH	NO.	LENGTH	NO.	LENGTH			TOP SLAB	BOTTOM FOR MINIMUM SLAB HEIGHT	C.M.
12"	3'-0"	2'-2"	2'-0"	2'-3"	---	---	---	---	---	---	---	0.235	0.772	0.015	0.026
15"	3'-0"	2'-2"	2'-0"	2'-3"	---	---	---	---	---	---	---	0.235	0.829	0.023	0.036
18"	3'-0"	2'-2"	2'-0"	2'-3"	---	---	---	---	---	---	---	0.235	0.887	0.033	0.049
24"	3'-0"	2'-2"	2'-0"	2'-3"	---	---	---	---	---	---	---	0.235	1.001	0.059	0.085
30"	3'-0"	2'-2"	3'-4"	3'-10"	4	1'-5"	2	4'-1"	3	4'-1"	39	0.123	0.947	0.092	0.127
36"	3'-0"	2'-2"	3'-4"	3'-10"	4	1'-11"	3	4'-7"	3	4'-7"	43	0.161	0.492	0.132	0.178
42"	3'-0"	2'-2"	4'-5"	4'-11"	5	2'-5"	4	5'-2"	3	5'-2"	47	0.200	0.543	0.180	0.243
48"	3'-0"	2'-2"	5'-0"	5'-6"	5	3'-1"	4	5'-9"	3	5'-9"	51	0.235	0.667	0.235	0.317
54"	3'-0"	2'-2"	5'-7"	6'-0"	6	3'-8"	5	6'-4"	3	6'-4"	56	0.289	0.802	0.287	0.401
60"	3'-0"	2'-2"	6'-3"	6'-6"	6	4'-4"	5	7'-0"	3	7'-0"	61	0.340	0.973	0.363	0.546
66"	3'-0"	2'-2"	6'-9"	6'-11"	7	5'-0"	6	7'-8"	3	7'-8"	66	0.381	1.160	0.363	0.655
72"	3'-0"	2'-2"	7'-6"	8'-6"	7	6'-6"	6	8'-3"	3	8'-3"	72	0.442	1.340	0.524	0.774
78"	3'-0"	2'-2"	8'-1"	9'-1"	8	6'-2"	7	8'-10"	3	8'-10"	78	0.493	1.530	0.615	0.893
84"	3'-0"	2'-2"	8'-9"	9'-9"	8	6'-10"	7	9'-6"	3	9'-6"	84	0.544	1.760	0.713	1.010



10/10/2022

DOCUMENT NOT CONSIDERED FINAL
 UNLESS ALL SIGNATURES COMPLETED

CONTRACT STANDARDS
 AND DEVELOPMENT UNIT
 Office 919-707-6950 FAX 919-250-4119

SEE PLATE FOR TITLE

ORIGINAL BY: 2002 Std.840.01 DATE: _____
 MODIFIED BY: E.E. WARD DATE: 3-1-02
 CHECKED BY: _____ DATE: _____
 FILE SPEC.: s:Special Details\jhowerton\840d02.dgn

Kimley»Horn
 P.O. BOX 33068 • RALEIGH, N.C. 27636-3068

PROJECT REFERENCE NO. U-5724 SHEET NO. 2C-2