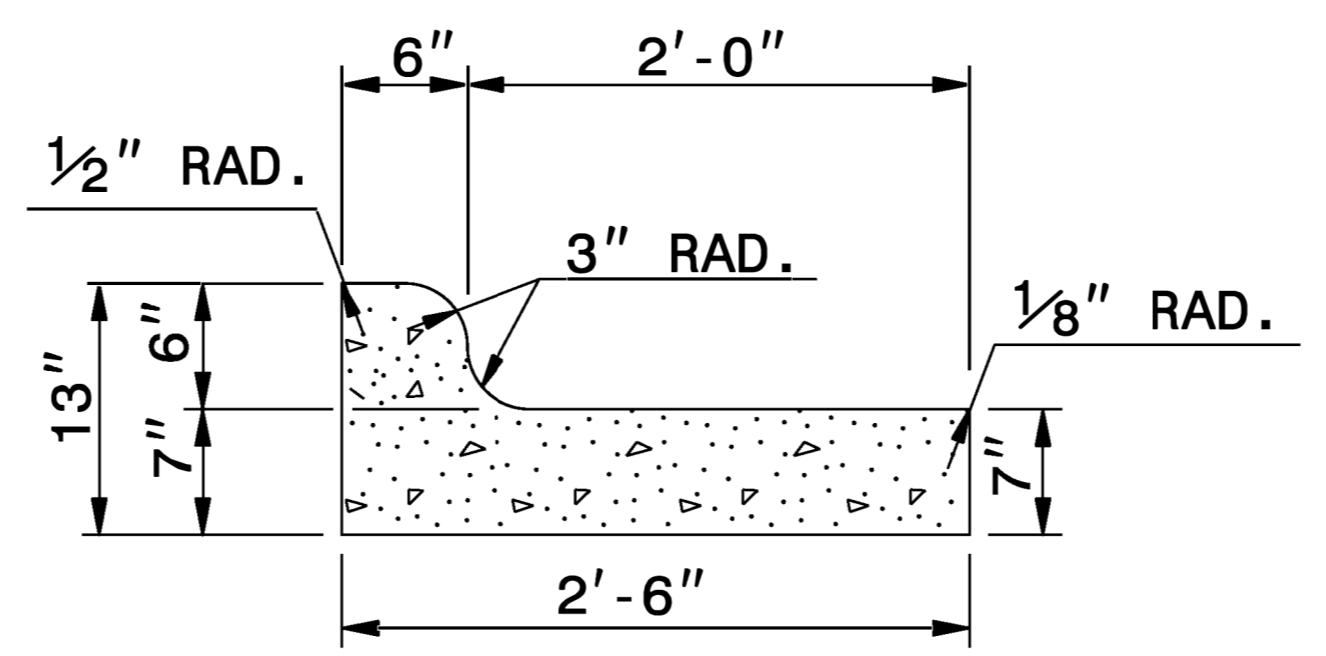


STATE OF NORTH CAROLINA  
DEPT. OF TRANSPORTATION  
DIVISION OF HIGHWAYS  
RALEIGH, N.C.

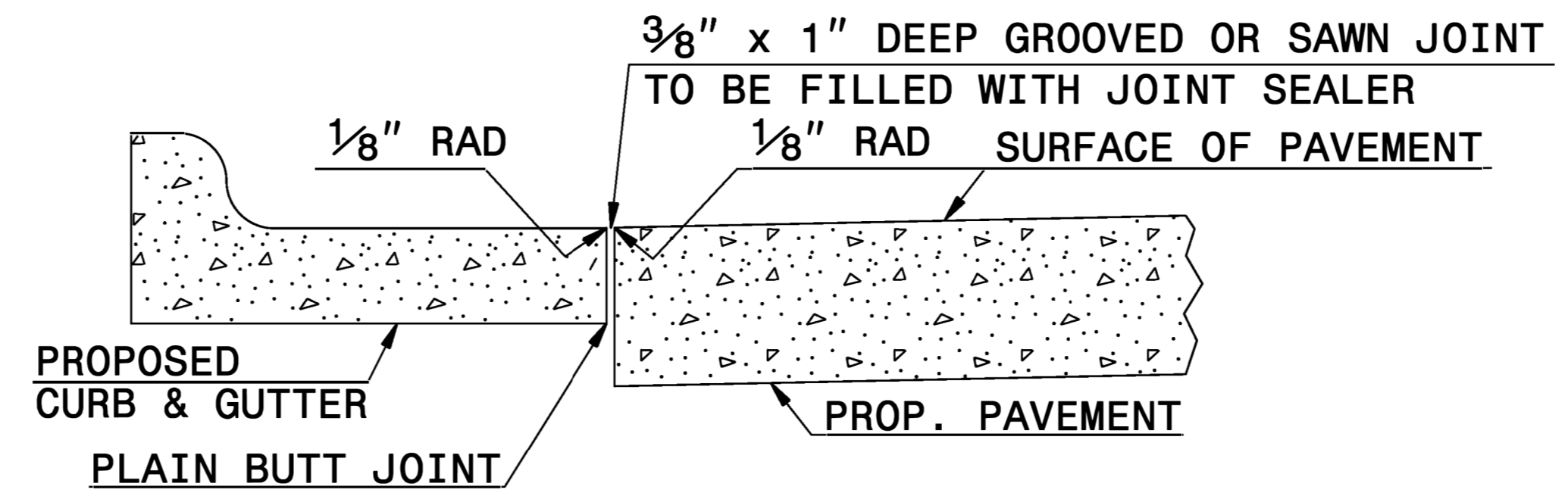
STATE OF NORTH CAROLINA  
DEPT. OF TRANSPORTATION  
DIVISION OF HIGHWAYS  
RALEIGH, N.C.

ENGLISH DETAIL DRAWING FOR  
**SPECIAL CURB & GUTTER**  
2'-6"

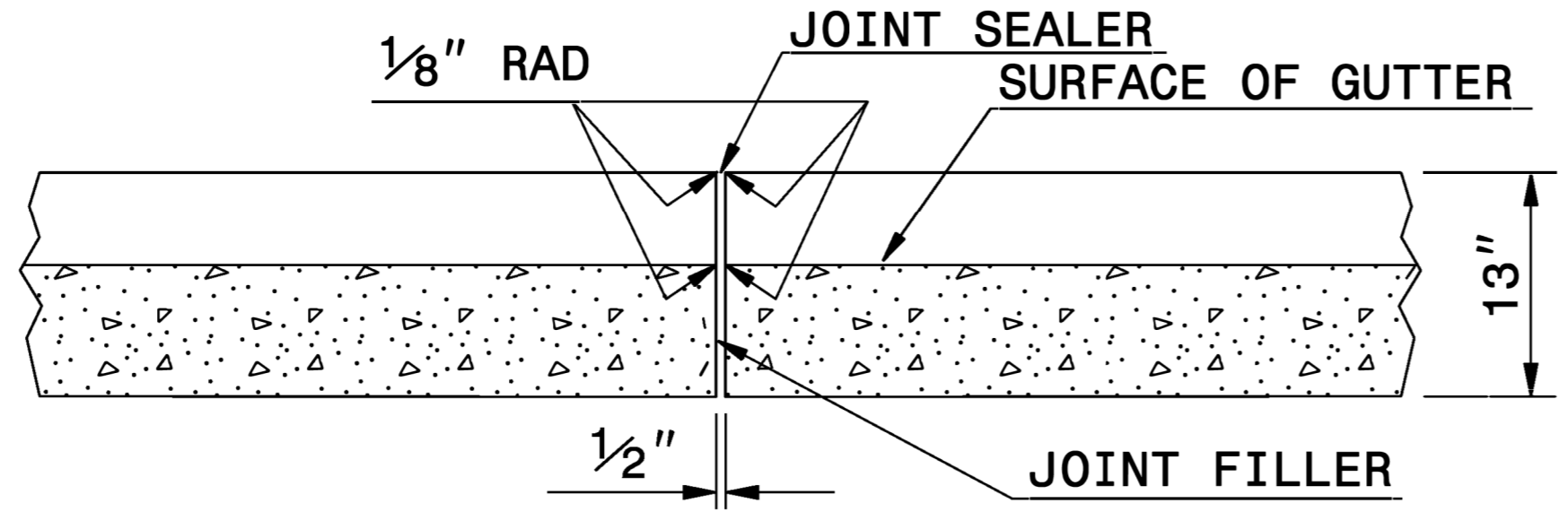
ENGLISH DETAIL DRAWING FOR  
**SPECIAL CURB & GUTTER**  
2'-6"



SECTION A-A  
2'-6" CURB AND GUTTER



LONGITUDINAL PLAIN BUTT JOINT



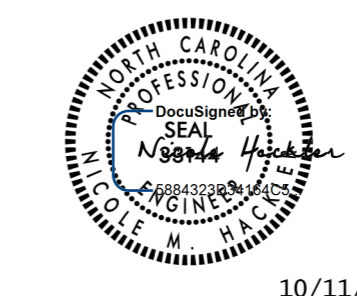
TRANSVERSE EXPANSION JOINT  
IN CURB AND GUTTER

- GENERAL NOTES:
- PLACE CONTRACTION JOINTS AT 10' INTERVALS, EXCEPT THAT A 15' SPACING MAY BE USED WHEN A MACHINE IS USED OR WHEN SATISFACTORY SUPPORT FOR THE FACE FORM CAN BE OBTAINED WITHOUT THE USE OF TEMPLATES AT 10' INTERVALS.
  - JOINT SPACING MAY BE ALTERED IF REQUIRED BY THE ENGINEER.
  - CONTRACTION JOINTS MAY BE INSTALLED WITH THE USE OF TEMPLATES OR FORMED BY OTHER APPROVED METHODS. CONSTRUCT NON-TEMPLATE FORMED JOINTS A MIN. OF 1 1/2" DEEP.
  - FILL ALL CONSTRUCTION JOINTS, WITH JOINT FILLER AND SEALER.
  - SPACE EXPANSION JOINTS AT 90' INTERVALS AND ADJACENT TO ALL RIGID OBJECTS.

SHEET 1 OF 1  
**846d01**

SHEET 1 OF 1  
**846d01**

18-JUN-2018 10:35  
S:\Contracts\Projects\Special\Details\kkemp\eng\1sh\B5121\_846d01.dgn  
J.Howerston AT CSD-272595



10/11/2022

DOCUMENT NOT CONSIDERED FINAL  
UNLESS ALL SIGNATURES COMPLETED

**CONTRACT STANDARDS AND DEVELOPMENT UNIT**  
Office 919-707-6950 FAX 919-250-4119

**SEE PLATE FOR TITLE**

ORIGINAL BY: E.E. WARD DATE: MAY 1997  
MODIFIED BY: K.A. KEMPf DATE: MAR 2015  
CHECKED BY: DATE:  
FILE SPEC.: kkemp\english\B5121\_846d01.dgn