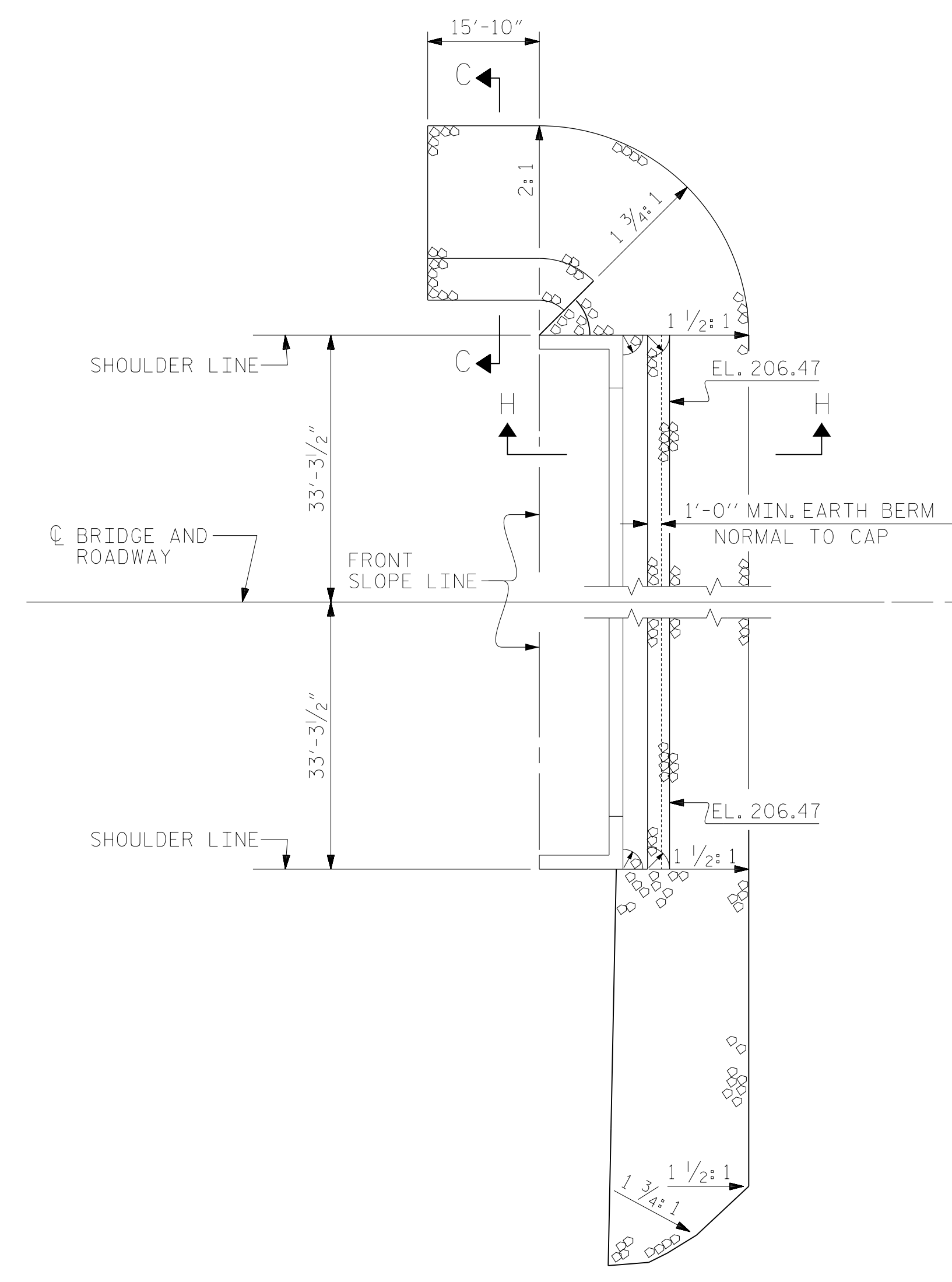
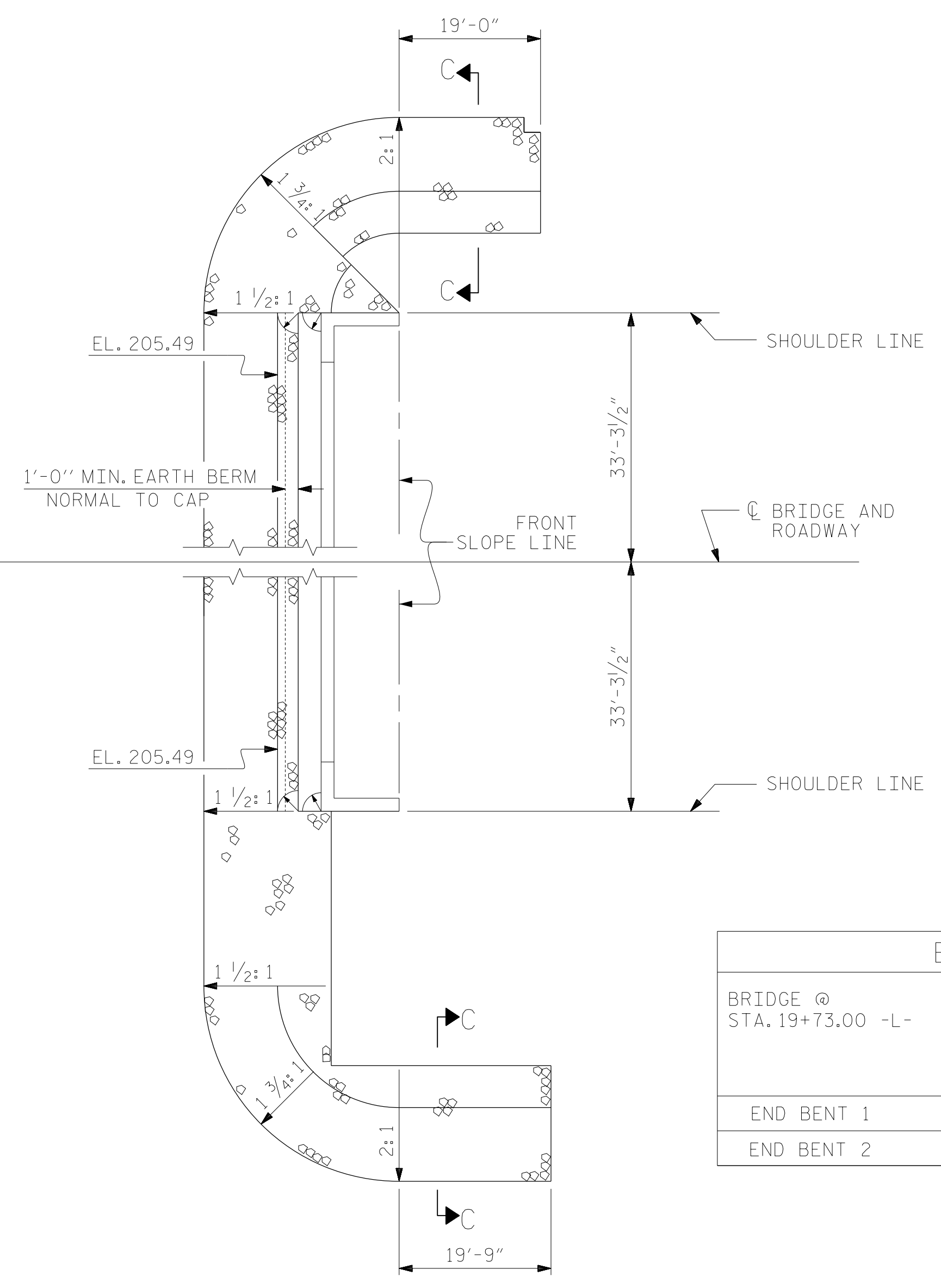


NOTES :
FOR BERM WIDTH DIMENSIONS, SEE GENERAL DRAWING.

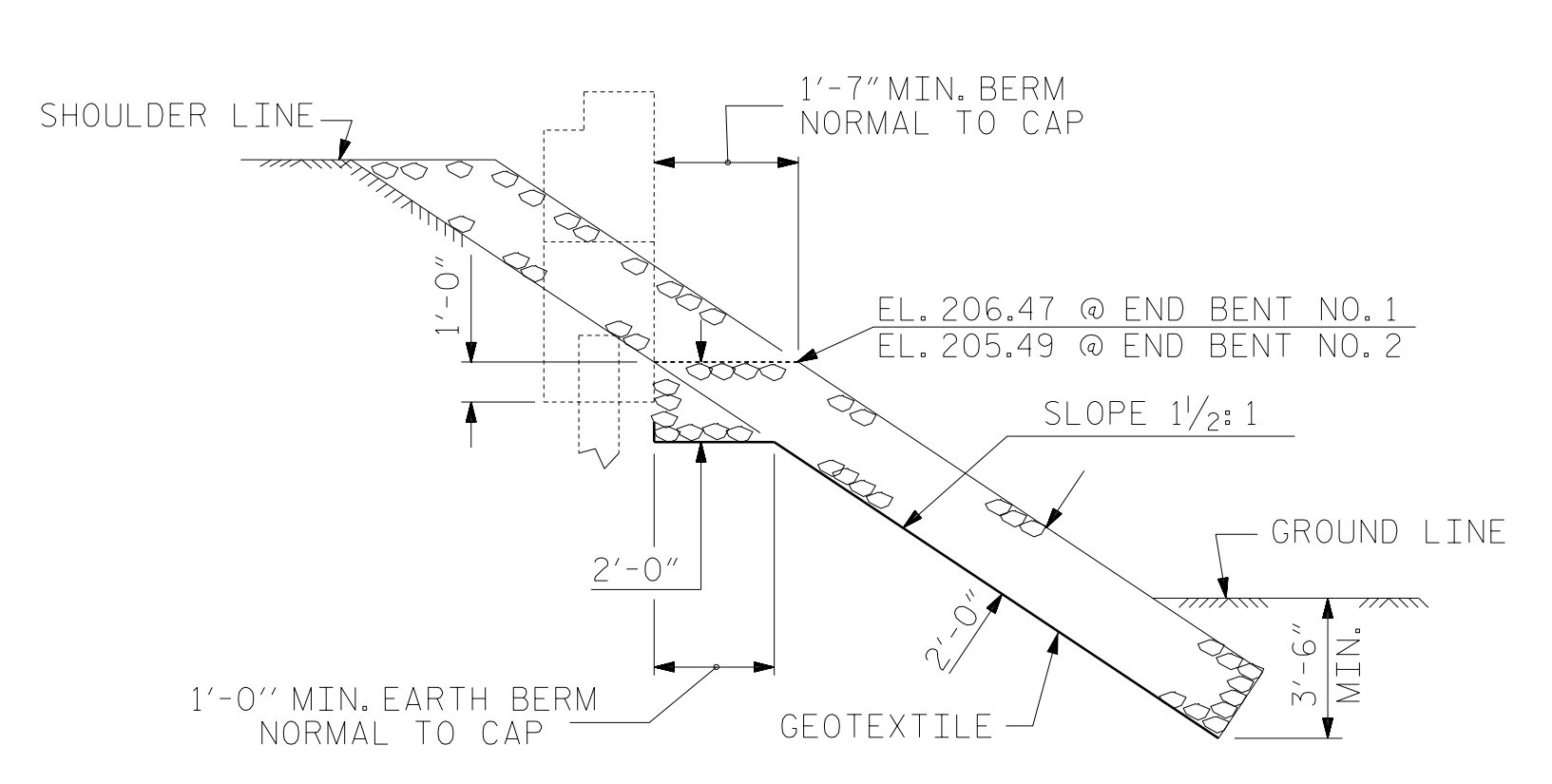


END BENT 1

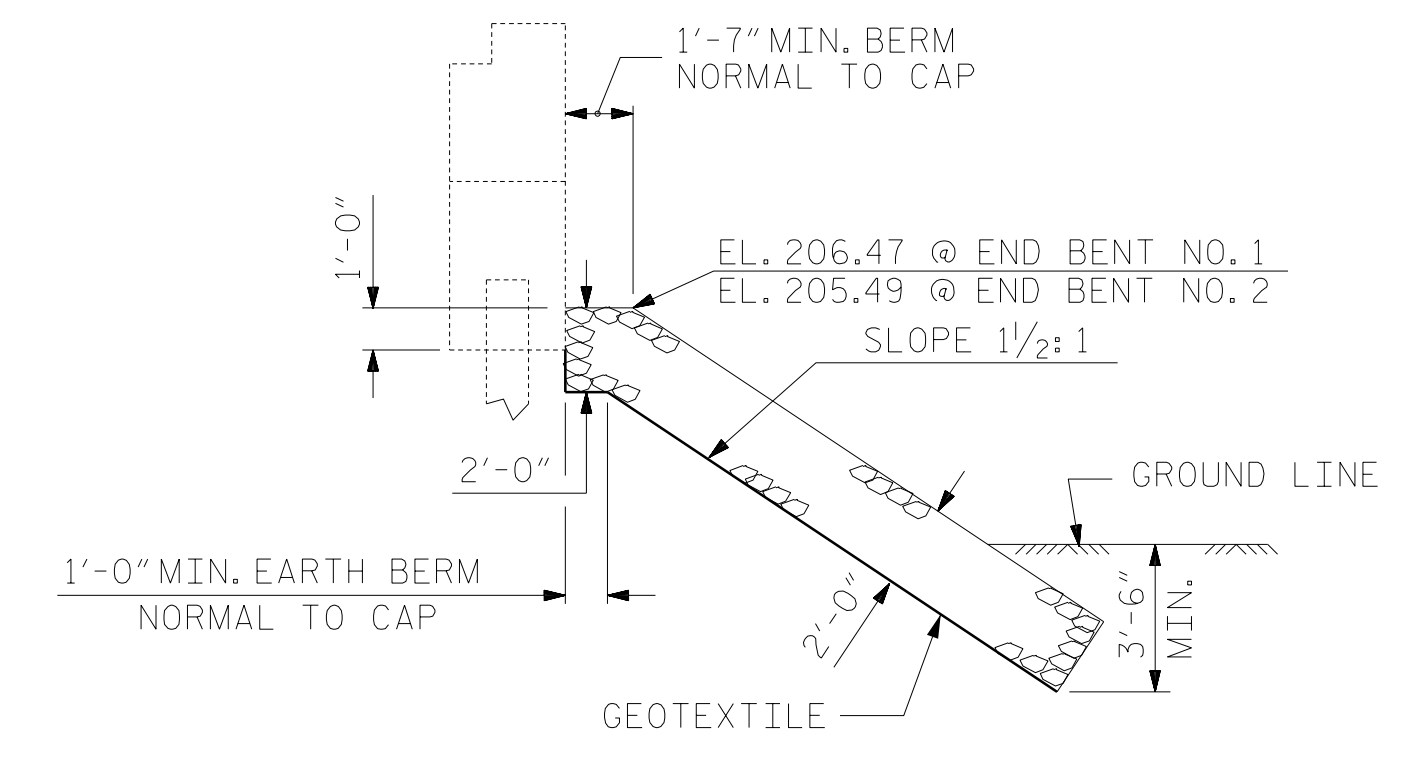


END BENT 2

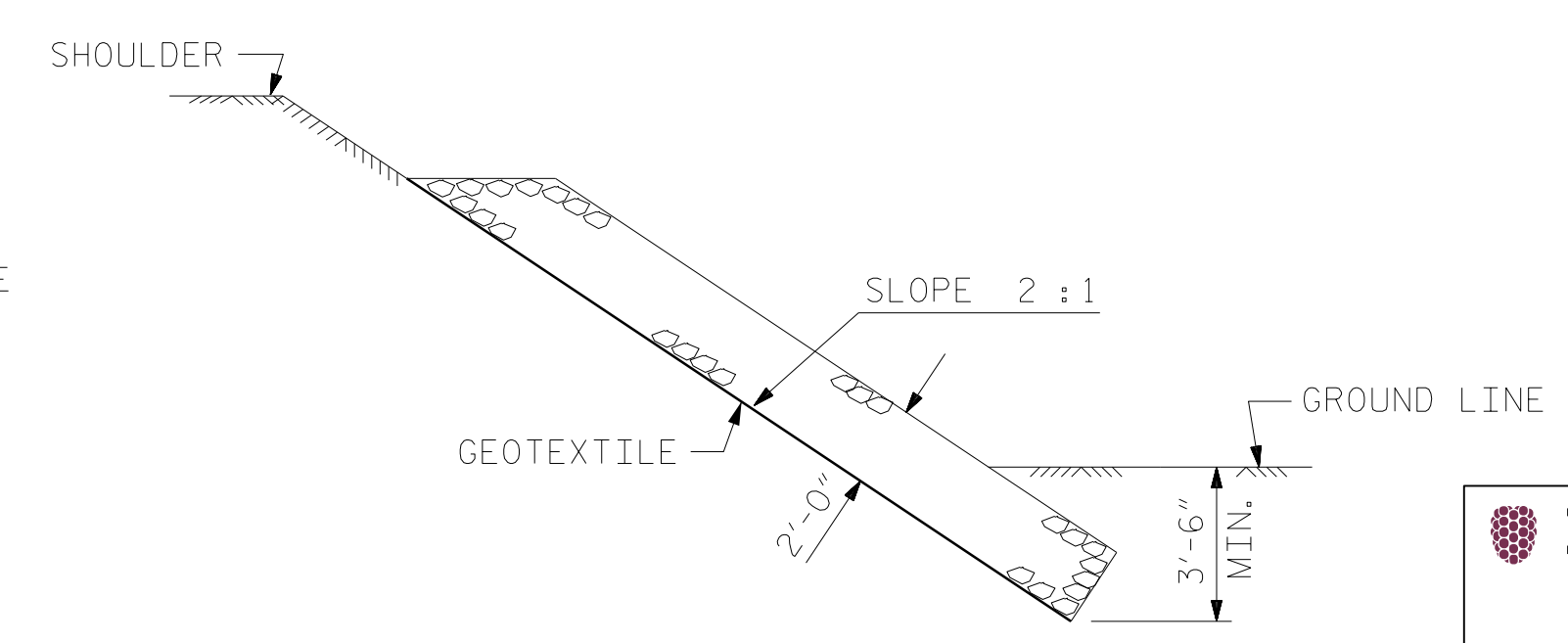
ESTIMATED QUANTITIES		
BRIDGE @ STA. 19+73.00 -L-	RIP RAP CLASS II (2'-0" THICK)	GEOTEXTILE FOR DRAINAGE
	TONS	SQUARE YARDS
END BENT 1	418	465
END BENT 2	446	495



SECTION H-H



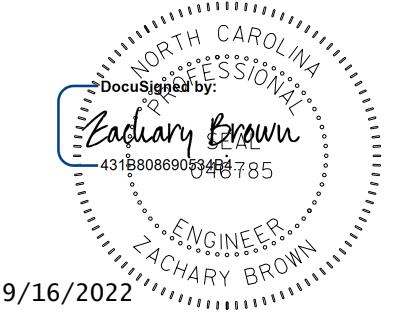
SECTION C-C
BERM RIP RAPPED



SECTION C-C

PROJECT NO. B-5318
WAKE COUNTY
STATION: 19+73.00 -L-

Dewberry
2610 WYCLIFF ROAD
SUITE 410
RALEIGH, NC 27607
PHONE: 919.881.9939
NC COA No. F-0929



9/16/2022

STATE OF NORTH CAROLINA
DEPARTMENT OF TRANSPORTATION
RALEIGH
STANDARD
RIP RAP DETAILS

REVISIONS						SHEET NO.
NO.	BY:	DATE:	NO.	BY:	DATE:	TOTAL SHEETS
1			3			41
2			4			

DOCUMENT NOT CONSIDERED
FINAL UNLESS ALL
SIGNATURES COMPLETED

DRAWN BY: E. JONES DATE: JUNE 21
CHECKED BY: P. O'NEILL DATE: JUNE 21
DESIGN ENGINEER OF RECORD: Z. BROWN DATE: JUNE 21