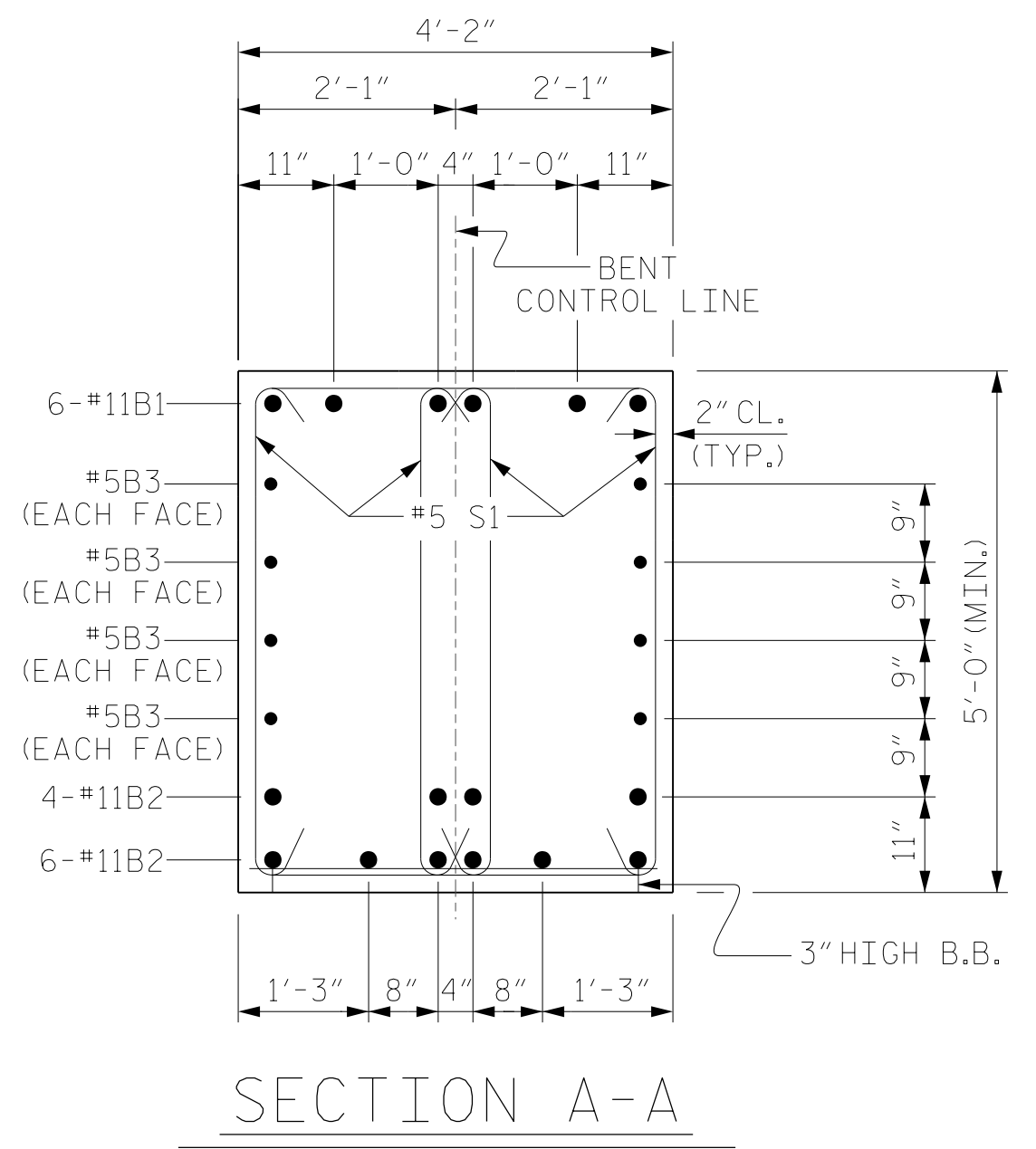
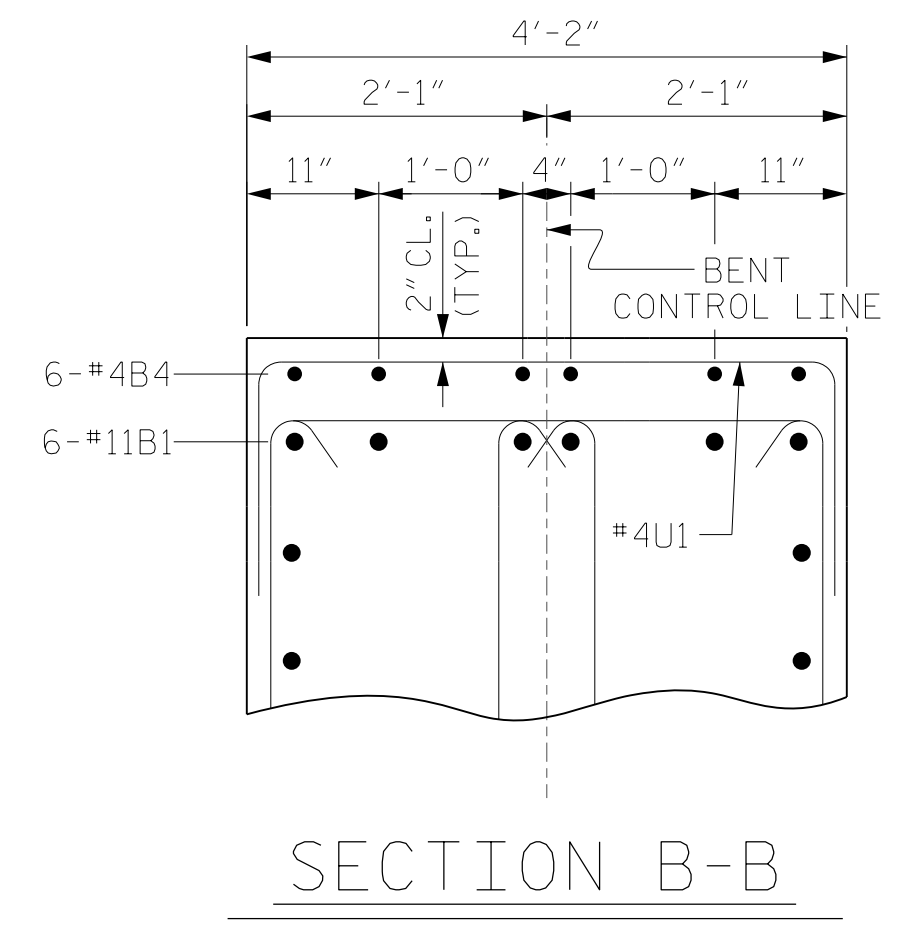


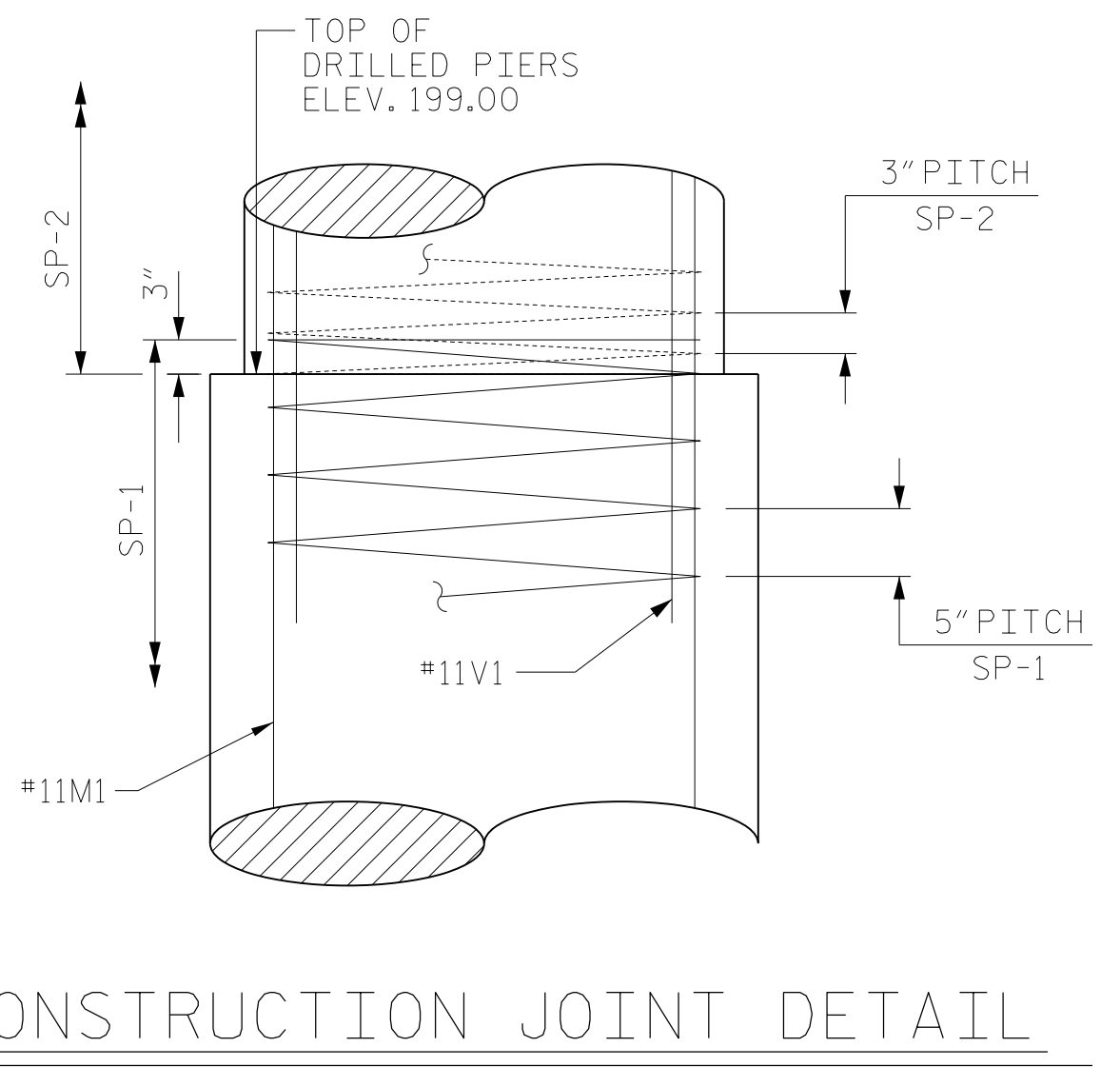
END VIEW



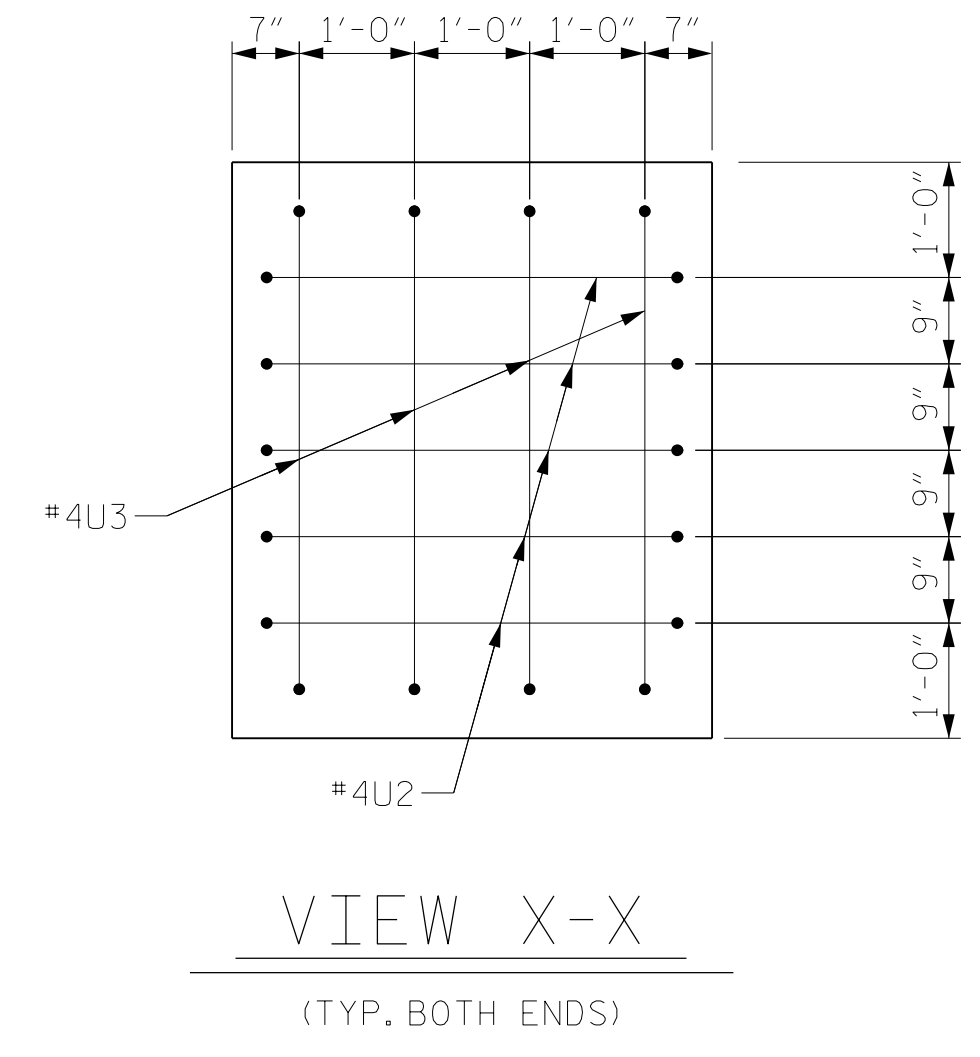
SECTION A-A



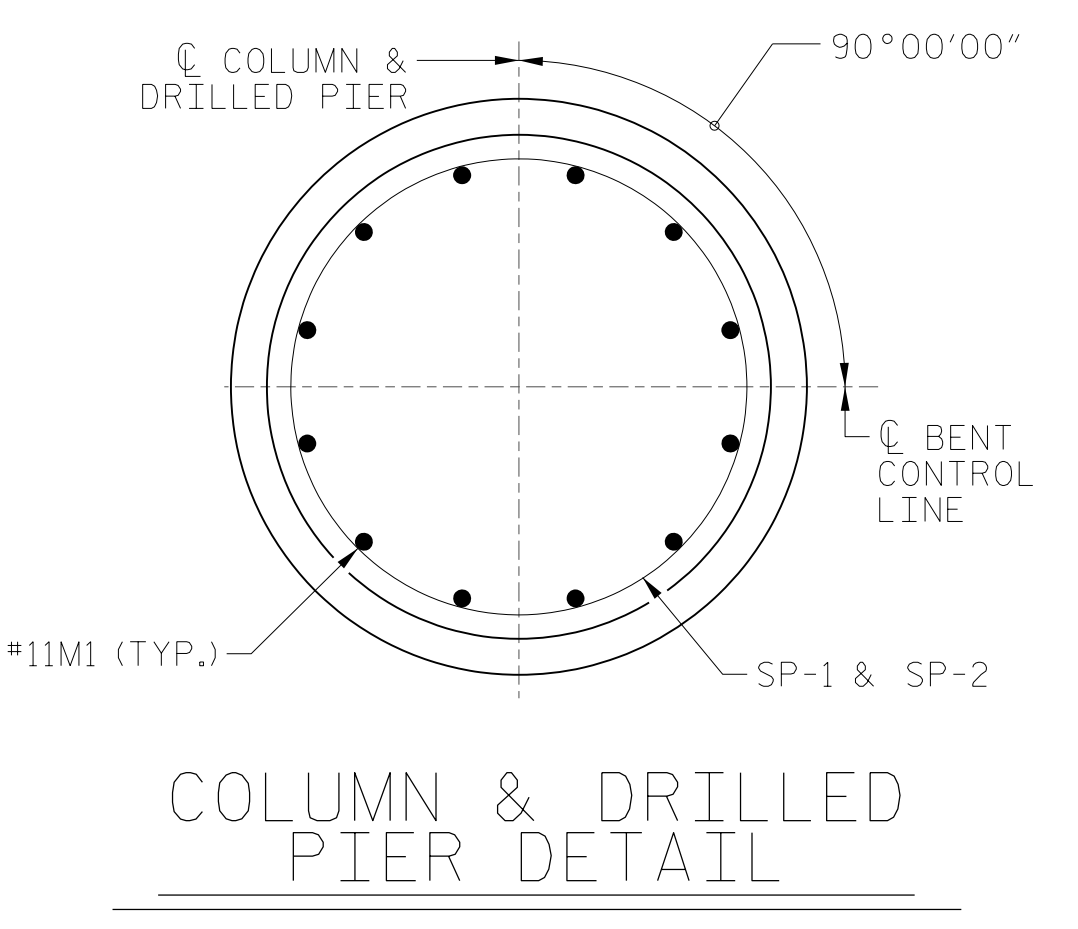
SECTION B-B



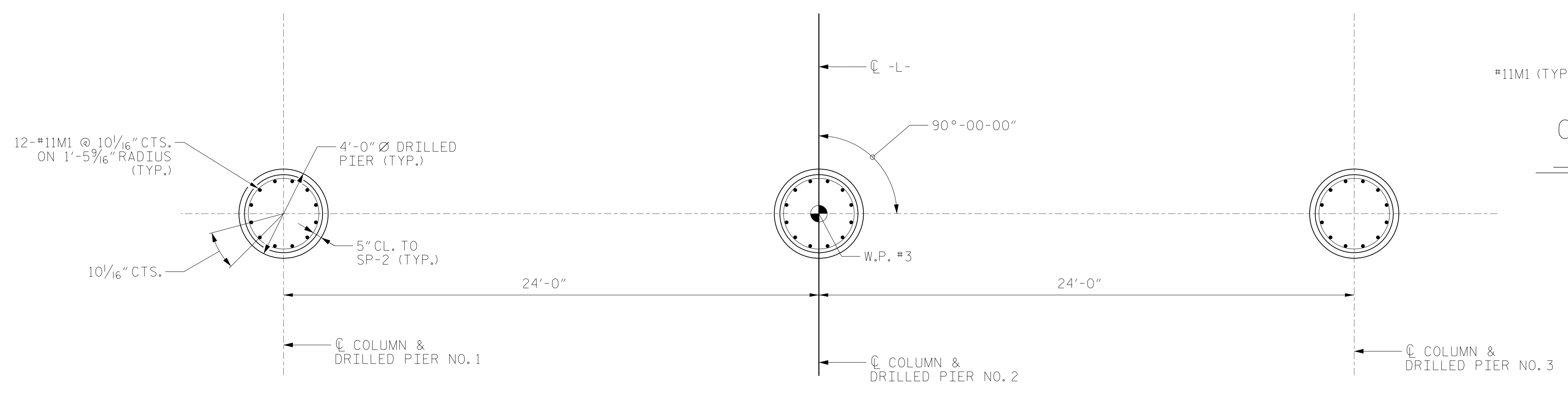
CONSTRUCTION JOINT DETAIL



VIEW X-X
(TYP. BOTH ENDS)



COLUMN & DRILLED PIER DETAIL



PLAN OF COLUMNS AND DRILLED SHAFTS

BAR TYPES

ALL BAR DIMENSIONS ARE OUT TO OUT

BILL OF MATERIAL					
BENT 2					
BAR	NO.	SIZE	TYPE	LENGTH	WEIGHT
B1	12	#11	1	33'-10"	2,157
B2	20	#11	STR	57'-10"	2,860
B3	16	#5	STR	30'-5"	508
B4	6	#4	STR	14'-10"	59
M1	36	#11	STR	50'-1"	9,579
S1	136	#5	2	12'-5"	1,761
U1	48	#4	3	7'-4"	235
U2	10	#4	3	6'-9"	45
U3	8	#4	3	7'-6"	40
V1	36	#11	1	10'-10"	2,072
REINFORCING STEEL					19,316 LBS.
SP-1	3	**	4	1,040'-1"	3,254
SP-2	3	***	5	222'-11"	447
SPIRAL COLUMN REINFORCING STEEL					3,701 LBS.
** THE SP-1 SPIRAL REINFORCING STEEL SHALL BE W31 OR D-31 COLD DRAWN WIRE OR #5 PLAIN OR DEFORMED BAR.					
*** THE SP-2 SPIRAL REINFORCING STEEL SHALL BE W20 OR D-20 COLD DRAWN WIRE OR #4 PLAIN OR DEFORMED BAR.					
CLASS A CONCRETE BREAKDOWN					
POUR #2 (COLUMNS)					4.9 C.Y.
POUR #3 (CAP)					46.6 C.Y.
TOTAL CLASS A CONCRETE					51.5 C.Y.
DRILLED PIER QUANTITIES					
POUR #1 (DRILLED PIER)					61.4 C.Y.
4'-0" Ø DRILLED PIERS IN SOIL					99.0 L.F.
4'-0" Ø DRILLED PIERS NOT IN SOIL					33.0 L.F.
CSL TUBES					546.0 L.F.

DRAWN BY: E. JONES DATE: JUNE 21
 CHECKED BY: Z. BROWN DATE: OCT. 21
 DESIGN ENGINEER OF RECORD: Z. BROWN DATE: JUNE 21

Dewberry
 2610 WYCLIFF ROAD
 SUITE 410
 RALEIGH, NC 27607
 PHONE: 919.881.9939
 NC COA NO. F-0929

Zachary Brown
 ENGINEER
 046785

9/16/2022

DOCUMENT NOT CONSIDERED FINAL UNLESS ALL SIGNATURES COMPLETED

PROJECT NO. B-5318
 WAKE COUNTY
 STATION: 19+73.00 -L-
 SHEET 2 OF 2 REPLACES BRIDGE NO. 126

STATE OF NORTH CAROLINA
 DEPARTMENT OF TRANSPORTATION
 RALEIGH

SUBSTRUCTURE
 BENT 2

REVISIONS					
NO.	BY:	DATE:	NO.	BY:	DATE:
1			3		
2			4		

SHEET NO. S-35
 TOTAL SHEETS 41