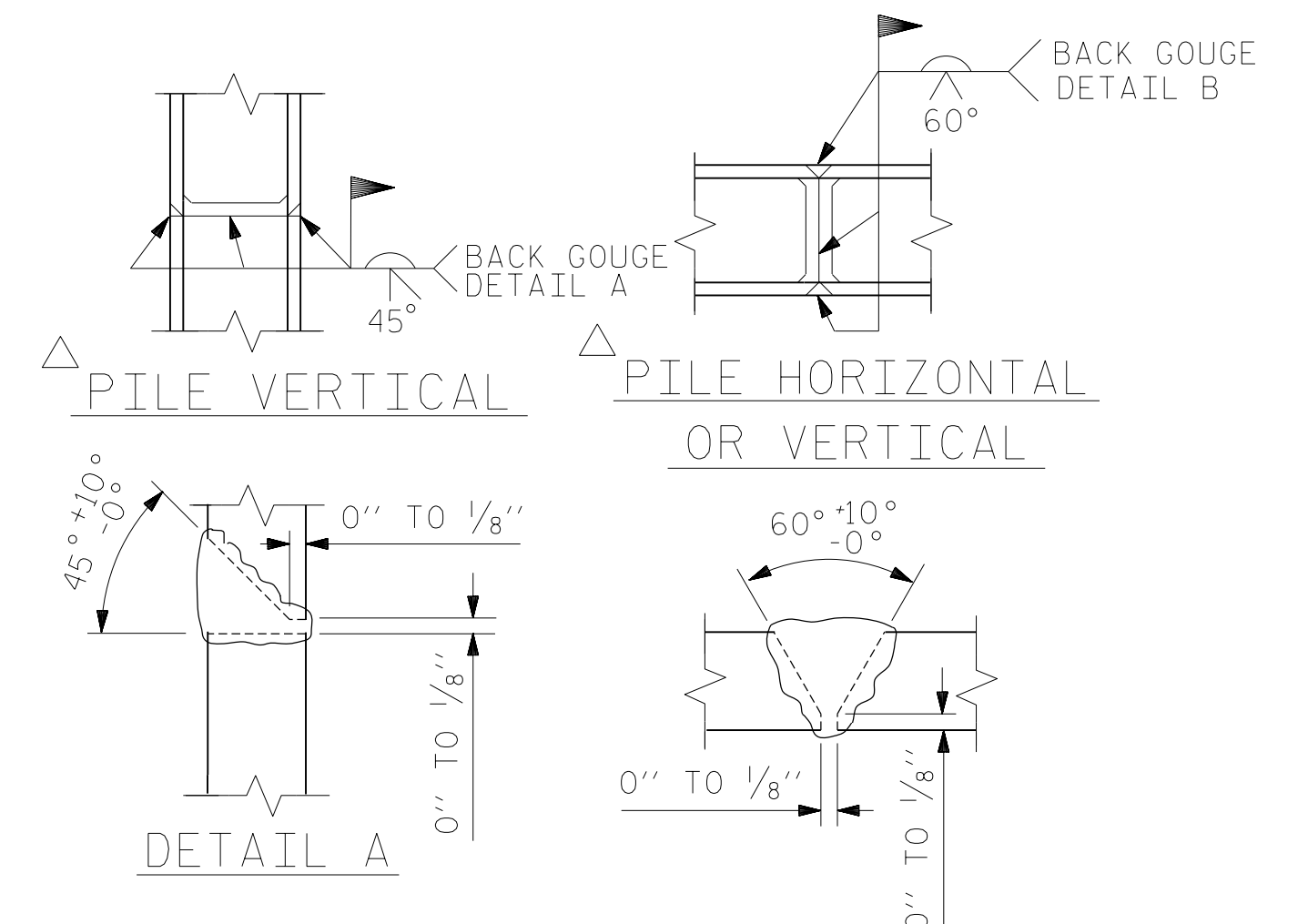


BAGGED STONE AND PIPE SHALL BE PLACED IMMEDIATELY AFTER COMPLETION OF END BENT EXCAVATION. PIPE MAY BE EITHER CONCRETE, CORRUGATED STEEL, CORRUGATED ALUMINUM ALLOY, OR CORRUGATED PLASTIC. PERFORATED PIPE WILL NOT BE ALLOWED.

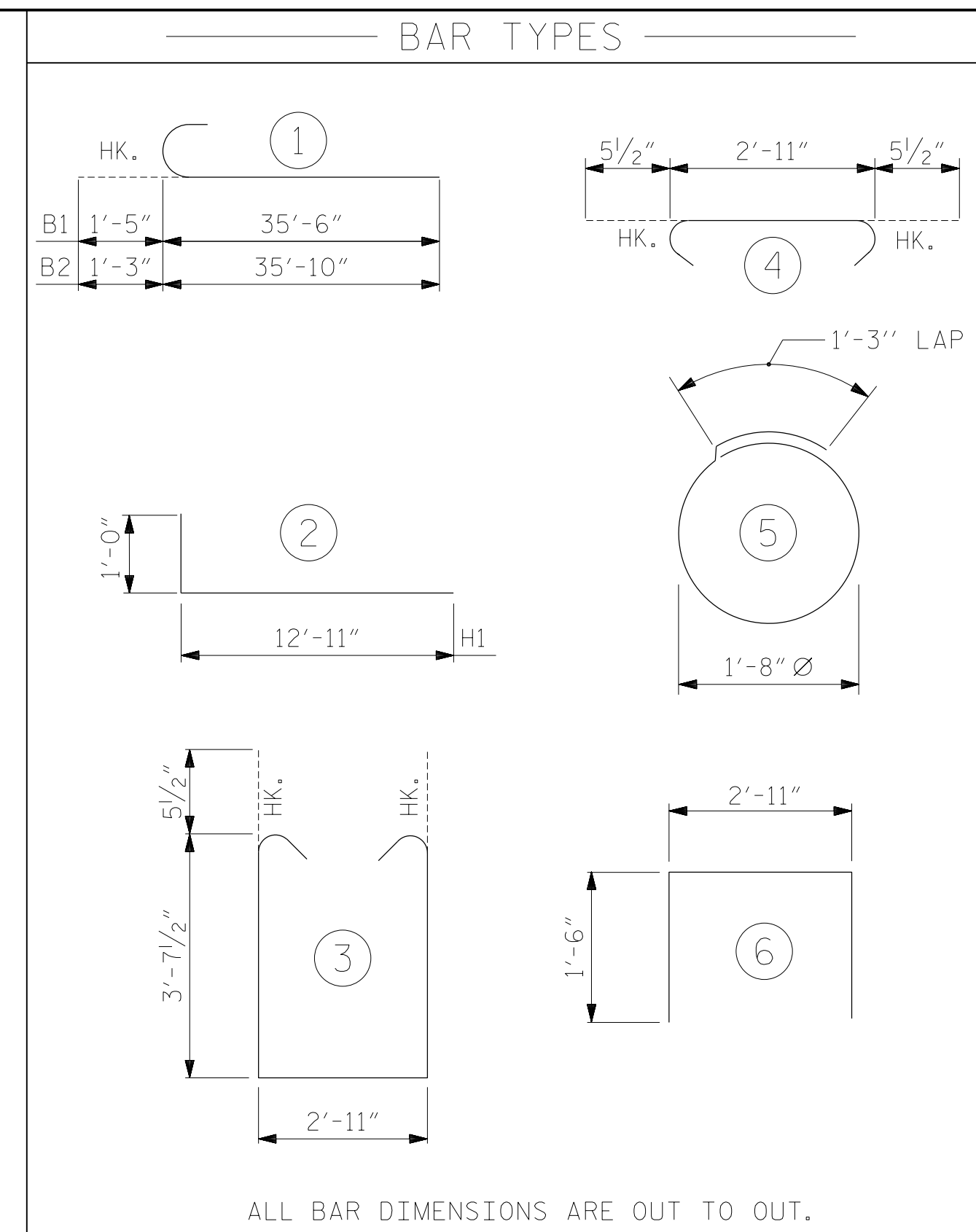
BAGGED STONE SHALL REMAIN IN PLACE UNTIL THE ENGINEER DIRECTS THAT IT BE REMOVED. THE CONTRACTOR SHALL REMOVE AND DISPOSE OF SILT ACCUMULATIONS AT BAGGED STONE WHEN SO DIRECTED BY THE ENGINEER. BAGS SHALL BE REMOVED AND REPLACED WHENEVER THE ENGINEER DETERMINES THAT THEY HAVE DETERIORATED AND LOST THEIR EFFECTIVENESS.

NO SEPARATE PAYMENT WILL BE MADE FOR THIS WORK AND THE ENTIRE COST OF THIS WORK SHALL BE INCLUDED IN THE UNIT CONTRACT PRICE BID FOR THE SEVERAL PAY ITEMS.

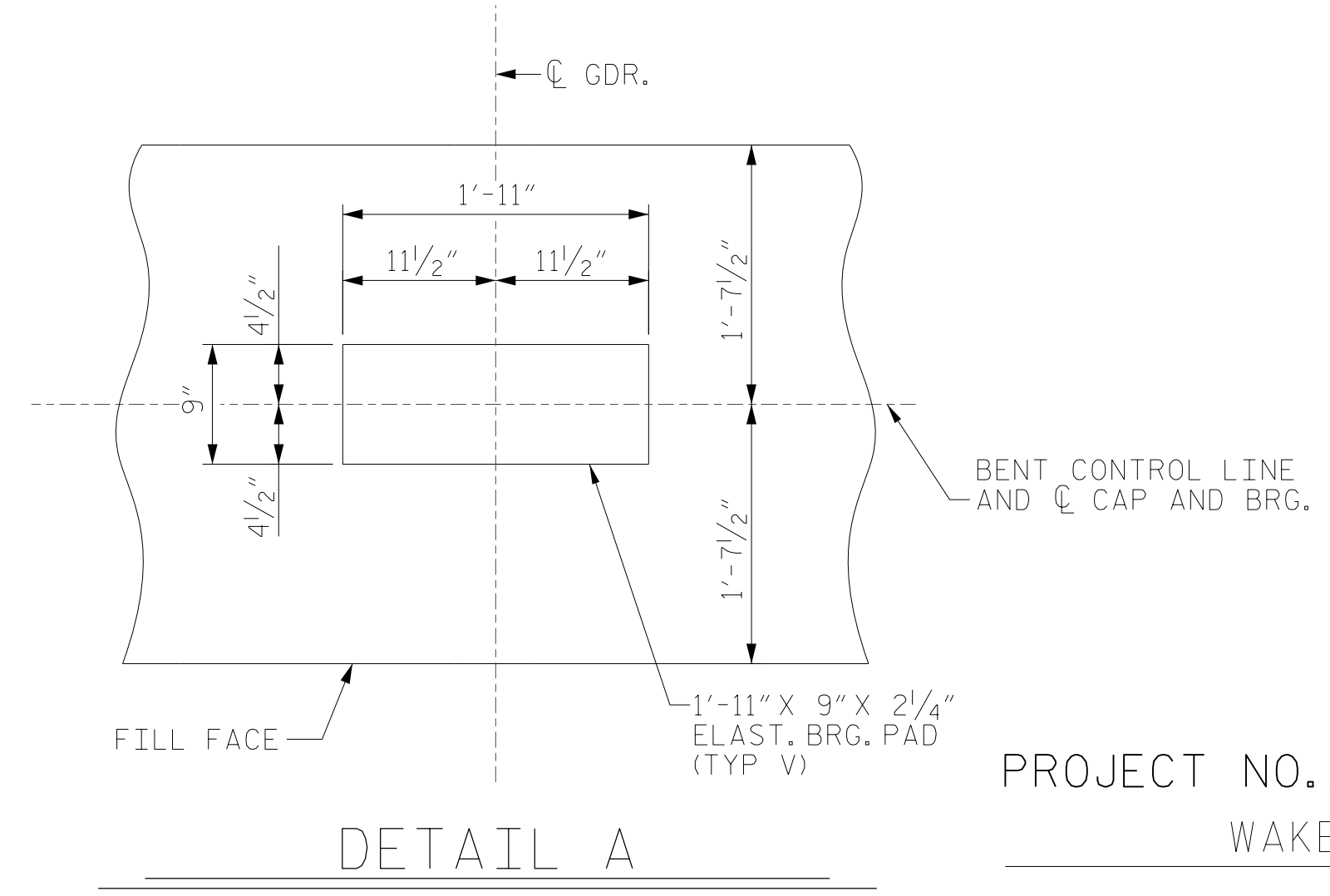
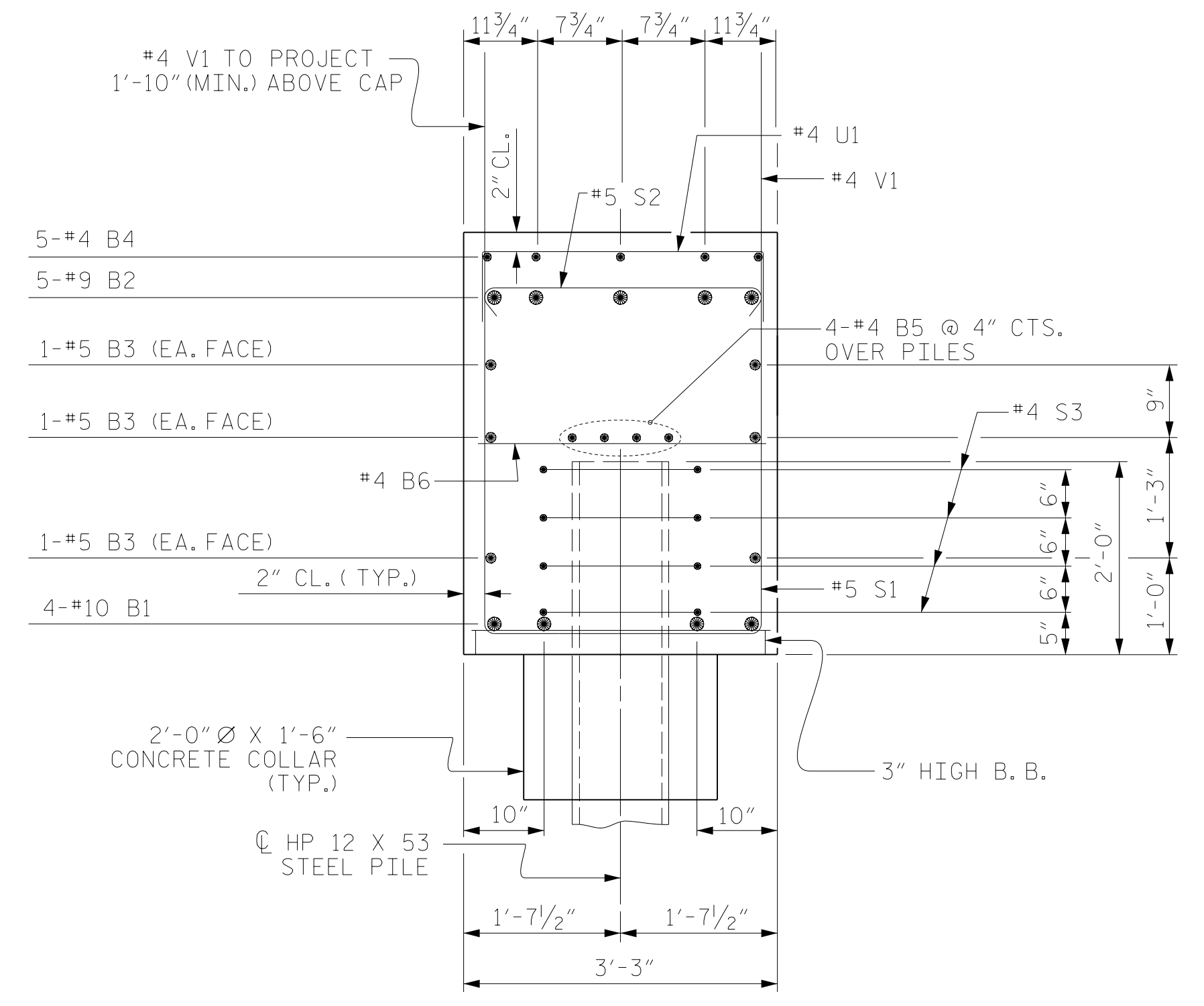
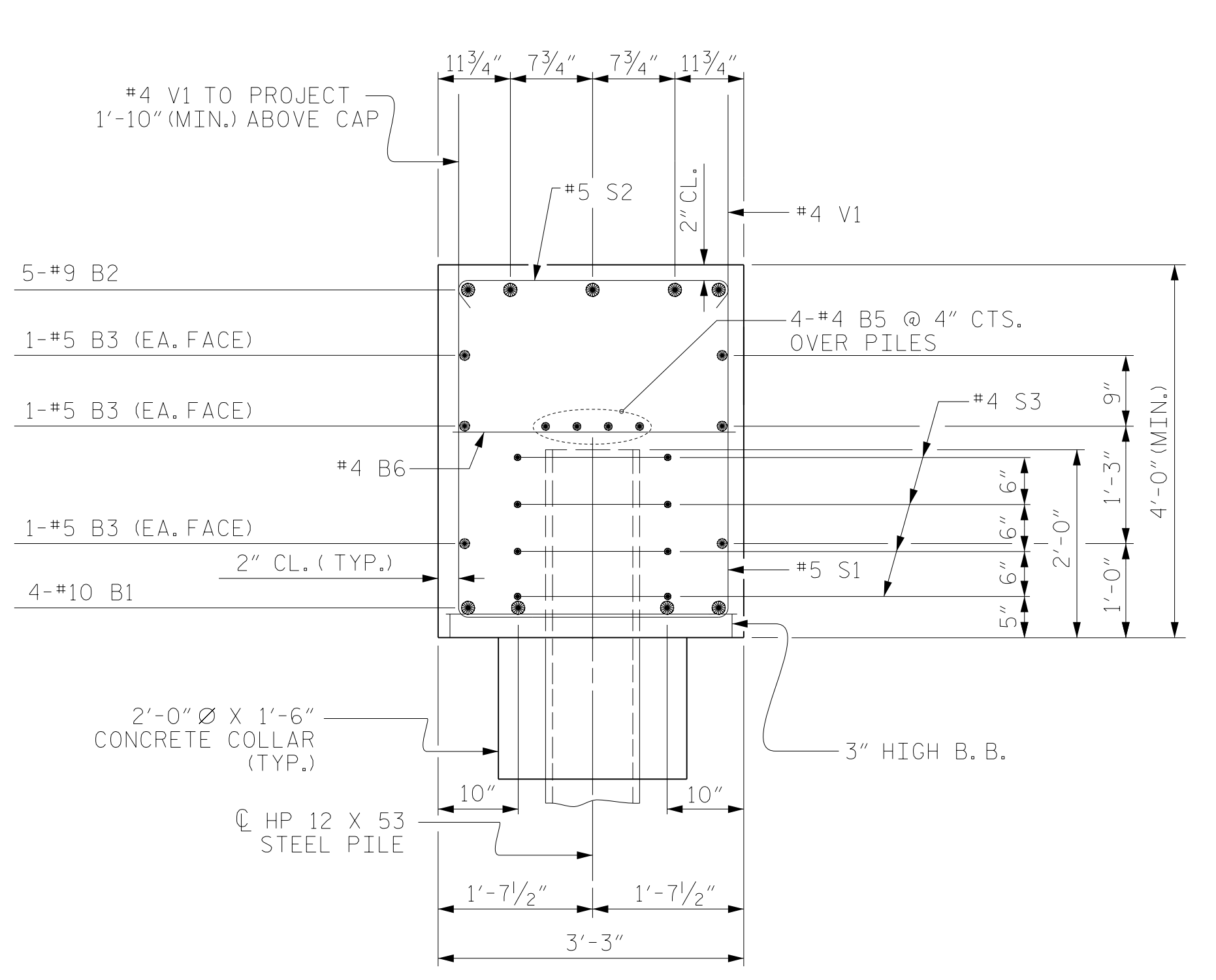
TEMPORARY DRAINAGE AT END BENT



PILE SPLICE DETAILS



BILL OF MATERIAL					
END BENT 1					
BAR	NO.	SIZE	TYPE	LENGTH	WEIGHT
B1	8	#10	1	36'-11"	1271
B2	10	#9	1	37'-1"	1261
B3	12	#5	STR	31'-8"	396
B4	5	#4	STR	13'-8"	46
B5	8	#4	STR	34'-4"	183
B6	17	#4	STR	2'-11"	33
H1	80	#6	2	13'-11"	1672
H2	48	#6	2	2'-8"	192
S1	76	#5	3	11'-1"	879
S2	76	#5	4	3'-10"	304
S3	40	#4	5	6'-6"	174
U1	10	#4	6	5'-11"	40
V1	102	#4	STR	6'-0"	409
V2	64	#4	STR	9'-8"	413
REINFORCING STEEL (FOR ONE END BENT)				7,273 LBS.	
CLASS A CONCRETE BREAKDOWN (FOR ONE END BENT)					
POUR #1 CAP, LOWER PART OF WINGS & COLLARS				38.7 C.Y.	
POUR #2 UPPER PART OF WINGS				7.2 C.Y.	
TOTAL CLASS A CONCRETE				45.9 C.Y.	

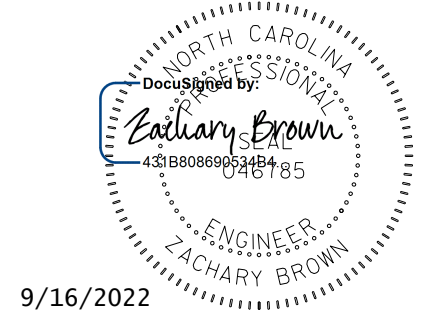
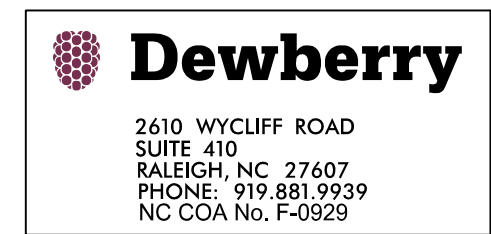


PROJECT NO. B-5318

WAKE COUNTY

STATION: 19+73.00 -L-

SHEET 3 OF 3 REPLACES BRIDGE NO. 126



9/16/2022

DRAWN BY: E. JONES DATE: JUNE 21
CHECKED BY: Z. BROWN DATE: OCT. 21
DESIGN ENGINEER OF RECORD: Z. BROWN DATE: JUNE 21

DOCUMENT NOT CONSIDERED FINAL UNLESS ALL SIGNATURES COMPLETED

REVISIONS						SHEET NO.
NO.	BY:	DATE:	NO.	BY:	DATE:	S-31
1			3			TOTAL SHEETS
2			4			41